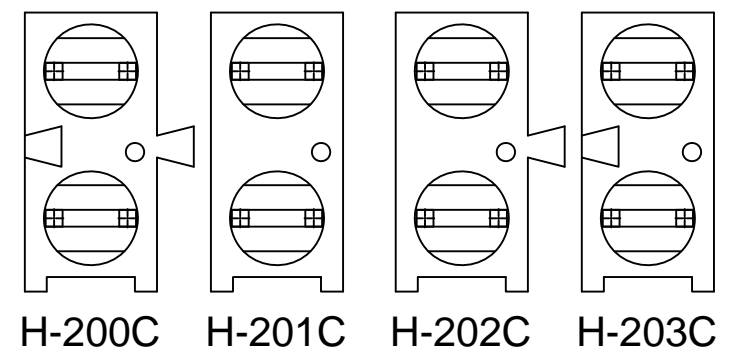
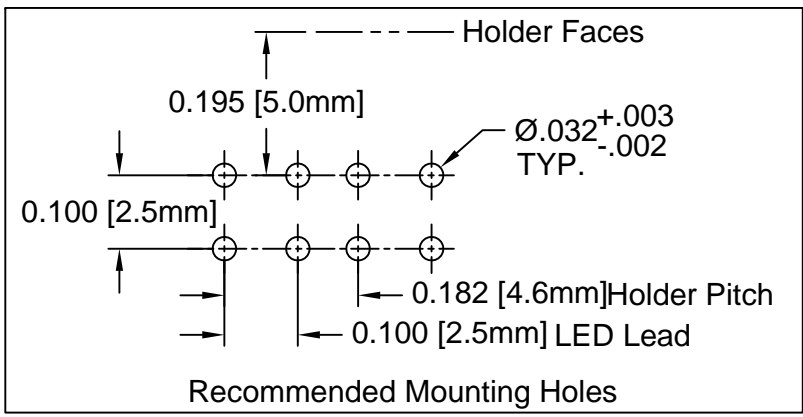
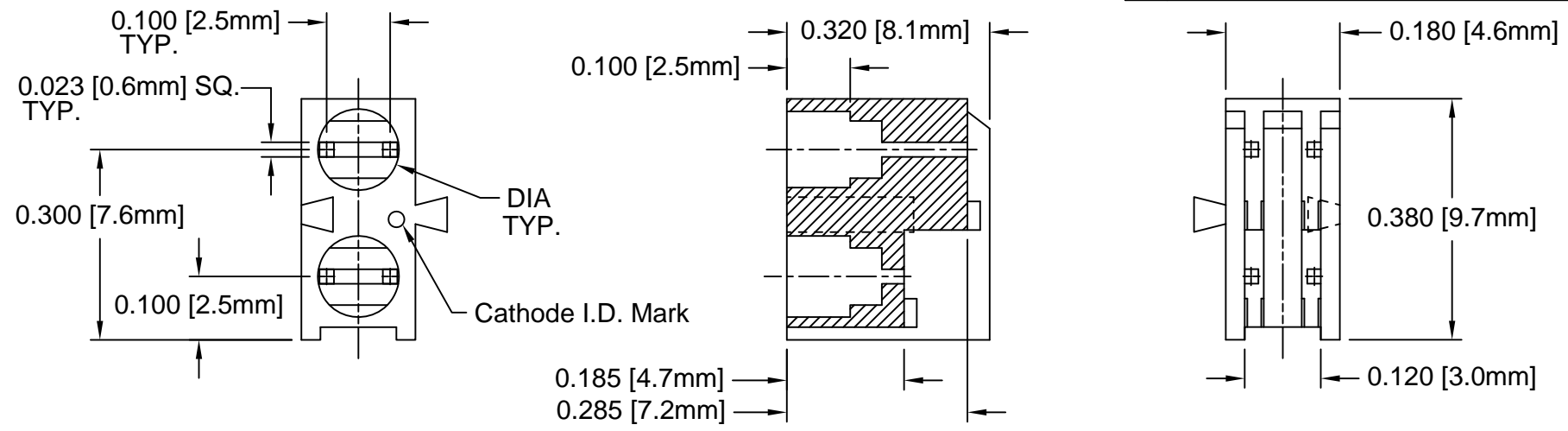

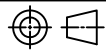


REV.	DESCRIPTION	DATE	APPROVED
B	Engineering Update w/o Changes	02/27/04	M. C.
C	Removed Material Code	05/28/16	J. C.



PART NO.				DIA
H-200C SERIES	H-201C SERIES	H-202C SERIES	H-203C SERIES	
H-200C	H-201C	H-202C	H-203C	.128 [3.3mm]
H-200C-1	H-201C-1	H-202C-1	H-203C-1	.150 [3.8mm]

STANDARD TOLERANCE (UNLESS OTHERWISE SPECIFIED)		 <b>BIVAR</b> <sup>®</sup> 4 THOMAS, IRVINE, CA. 92618 TEL: (949) 951-8808 FAX: (949) 951-3974	
DECIMALS	ANGULAR		
.X ± .1	X° ± 1°	 <b>TITLE: BI-LEVEL T-1 (3mm) LED HOLDER INTERLOCKING VARIABLE DIAMETER</b>	
.XX ± .01			
.XXX ± .005			
DESIGNED: <b>D. Green</b>	DATE: <b>03/13/03</b>	<b>PART NO:</b> H-20XC-X	REVISION: <b>C</b>
CHECKED: <b>M. Chen</b>	DATE: <b>03/13/03</b>	<b>CAGE CODE : 32559</b>	<b>SHEET # 1 OF 1</b>
CAD GENERATED DOCUMENT. DO NOT MEASURE DRAWING.			

2. MATERIAL: NYLON 6/6, 94V-0, BLACK.
1. GENERAL SPECIFICATIONS: BIVAR MOLDED COMPONENT SPECIFICATION BV00-E101.