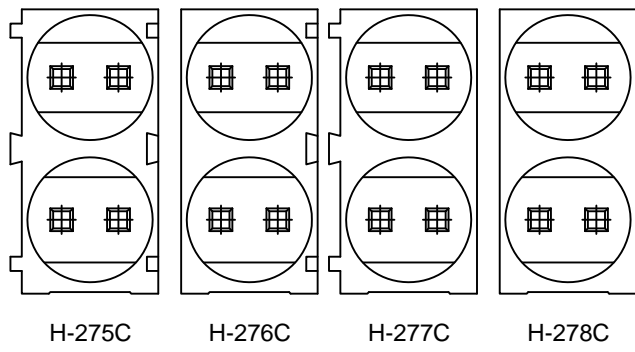
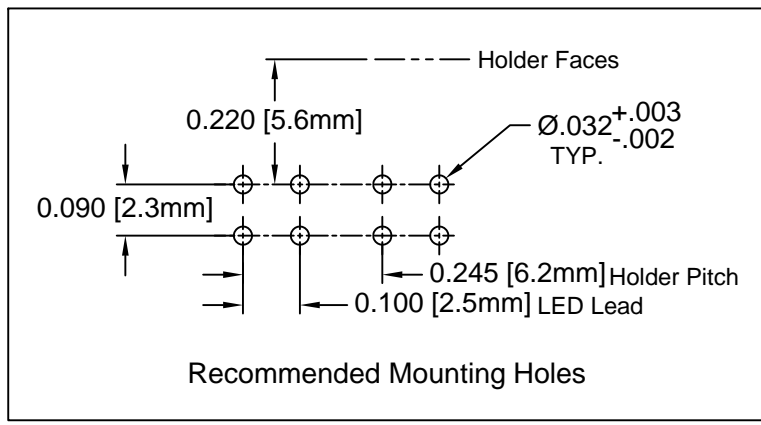
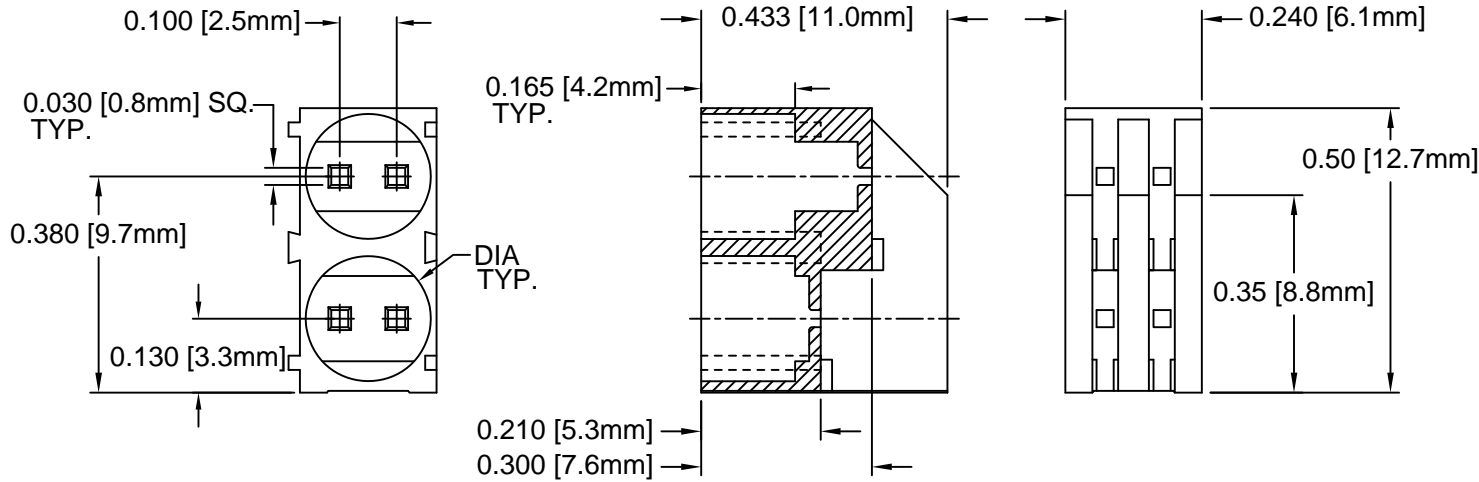
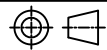



REV.	DESCRIPTION	DATE	APPROVED
D	Engineering Update w/o Changes	02/27/04	M. C.
E	Add [-2] version to the series	04/13/06	M. C.
F	-1 version Obsolete	10/04/07	M. C.
G	Updated (0.50") Height Dimension	03/04/08	M. C.
H	Removed Material Code	05/28/16	J. C.



PART NO.				DIA
H-275C SERIES	H-276C SERIES	H-277C SERIES	H-278C SERIES	
H-275C-2	H-276C-2	H-277C-2	H-278C-2	.206 [5.23mm]

STANDARD TOLERANCE (UNLESS OTHERWISE SPECIFIED) DECIMALS .X ± .1 .XX ± .01 .XXX ± .005	ANGULAR X° ± 1°		 4 THOMAS, IRVINE, CA. 92618 TEL: (949) 951-8808 FAX: (949) 951-3974
DESIGNED: M. Chen	DATE: 03/31/03	PART NO: H-27XC-X	
CHECKED: D. Green	DATE: 03/31/03	CAGE CODE : 32559	SHEET # 1 OF 1
CAD GENERATED DOCUMENT. DO NOT MEASURE DRAWING.			

2. MATERIAL: NYLON 6/6, 94V-0, BLACK.
1. GENERAL SPECIFICATIONS: BIVAR MOLDED COMPONENT SPECIFICATION BV00-E101.