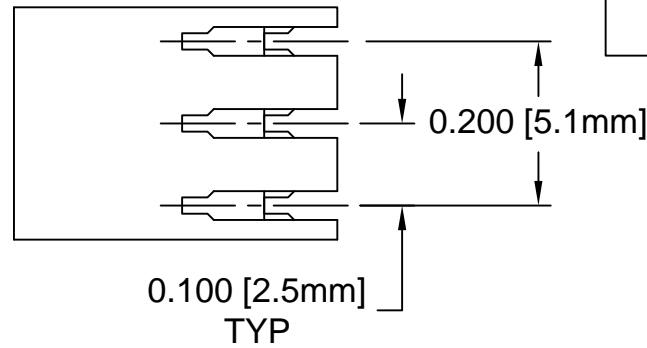
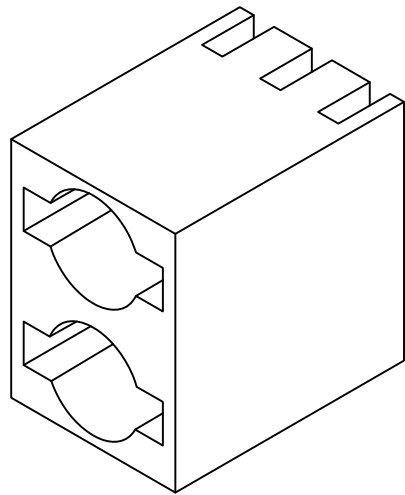
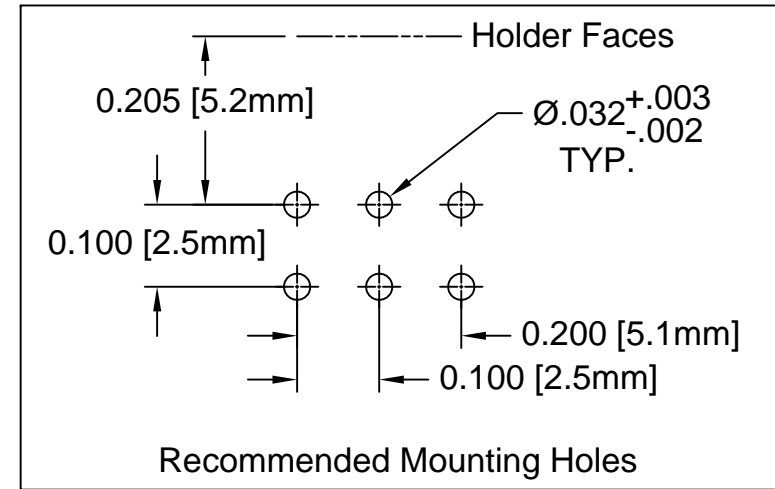
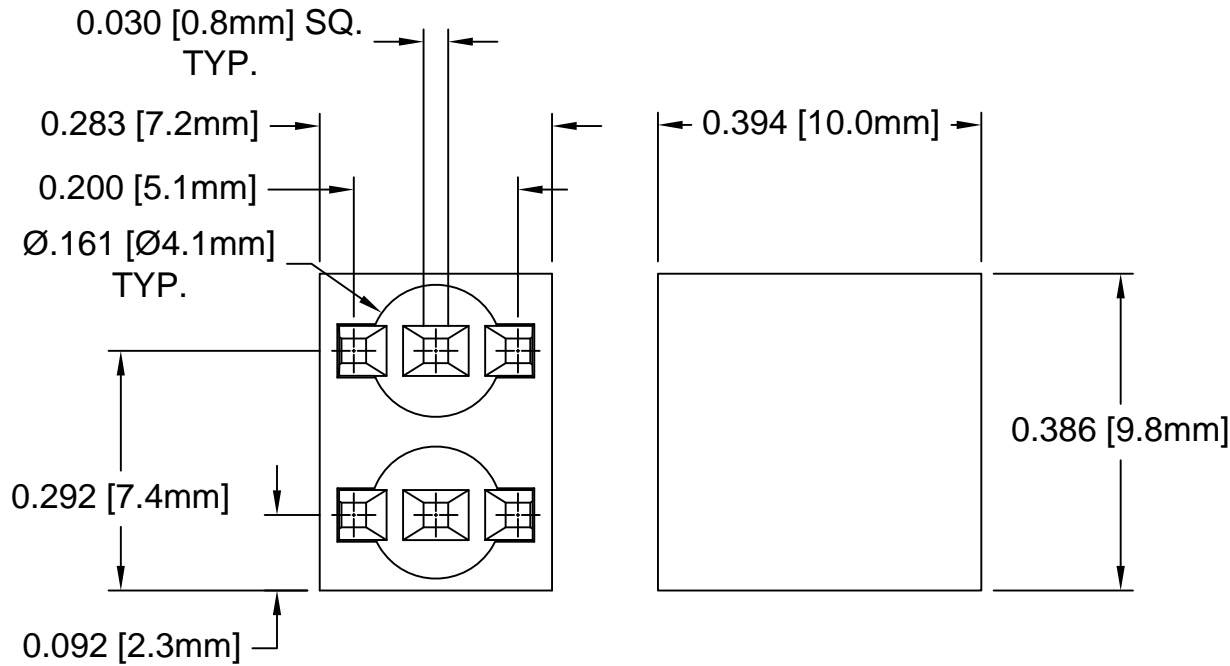


REV.	DESCRIPTION	DATE	APPROVED
D	Engineering Release	05/31/13	T. Y.
E	Removed Material Code	05/28/16	J. C.



2. MATERIAL: NYLON 6/6, 94V-0, BLACK.

1. GENERAL SPECIFICATIONS: BIVAR MOLDED COMPONENT SPECIFICATION BV00-E101.

STANDARD TOLERANCE (UNLESS OTHERWISE SPECIFIED)		BIVAR®	
DECIMALS	ANGULAR	4 THOMAS, IRVINE, CA. 92618	
.X ±.1	X° ±1°	TEL: (949) 951-8808 FAX: (949) 951-3974	
.XX ±.01		TITLE: BI-LEVEL T1 (3mm) TRI-LEAD LED HOLDER	
.XXX ±.005			
DESIGNED: S. Irving	DATE: 02/16/99	PART NO: H-280C	REVISION: E
CHECKED: M. Chen	DATE: 03/06/03	CAGE CODE : 32559	SHEET # 1 OF 1
CAD GENERATED DOCUMENT. DO NOT MEASURE DRAWING.			