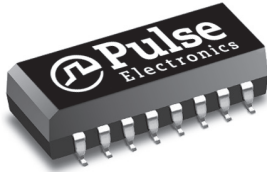


10/100 Base-T Single Port Transformer Modules

With 1:1 Transmit Turns Ratios



- RoHS peak reflow temperature rating: 245°C
- Compatible with Broadcom, Intel, Microtel, National Semiconductor, ICS, and TDK Transceivers
- Meets IEEE 802.3 specification

Electrical Specifications @ 25°C - Operating Temperature 0°C to 70°C

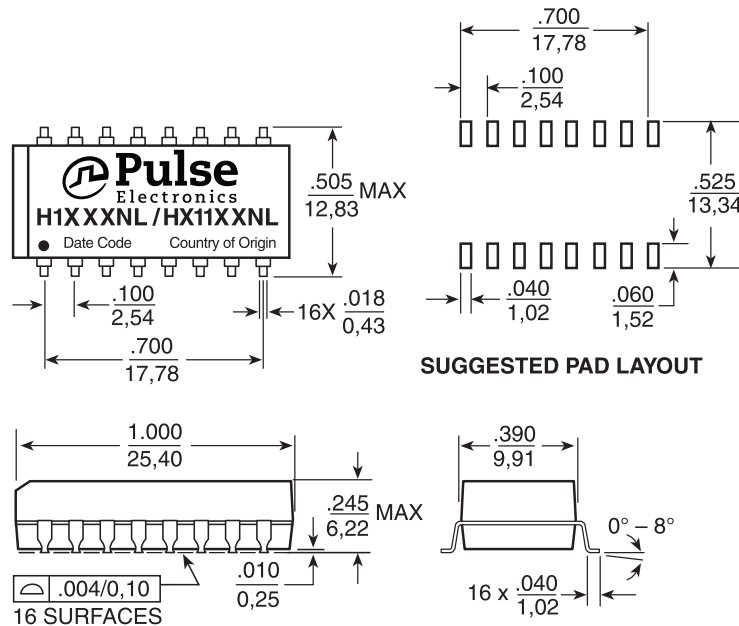
RoHS Compliant Part Number ³	Insertion Loss (dB MAX)	Return Loss (dB MIN @ 100 Ω)				Differential to Common Mode Rejection (dB MIN)			Crosstalk (dB TYP)			Hipot (Vrms MIN)
		0.1-100 MHz	1-30 MHz	40 MHz	50 MHz	60-80 MHz	30 MHz	60 MHz	100 MHz	30 MHz	60 MHz	
H1012NL ^{4c}	-1.0	-20	-20	-18	-14	-42	-36	-33	-50	-40	-40	1500
H1086NL ^{4c}	-1.0	-22	-20	-18	-12	-45	-40	-35	-50	-40	-40	1500
HX1148NL ^{1,4c}	-1.5	-18	-13.5	-11.5	-10	-42	-37	-33	-50	-40	-40	1500

Notes:

- HX = Operating temperature: -40 + 85 C.
- Unless specified, operating temperature is 0° to 70° C.
- When ordering Tape & Reel packaging, add a "T" suffix to the end of the part number, e.g. H1012NLT.
- MSL = Moisture Sensitivity Level: a=1, b=2, C=3, d=4

Mechanical

H1012NL, H1086NL, HX1148NL



Weight3.0 grams

Dimensions: $\frac{\text{Inches}}{\text{mm}}$ Unless otherwise specified, all tolerances are $\pm \frac{.010}{0,25}$

USA 858 674 8100

Germany 49 7032 7806 0

Singapore 65 6287 8998

Shanghai 86 21 62787060

China 86 755 33966678

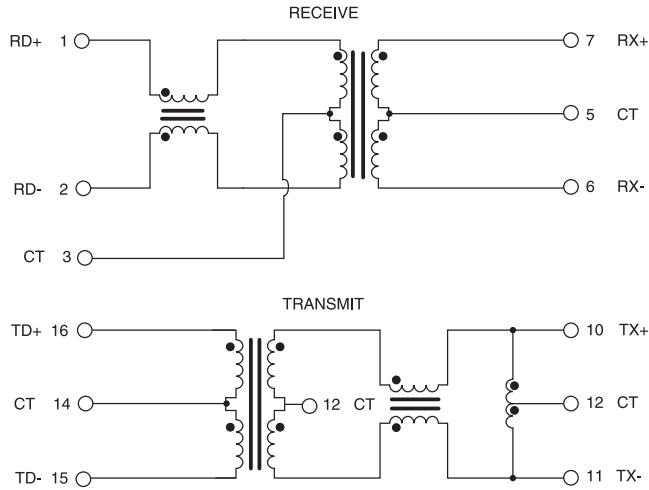
Taiwan 886 3 4356768

10/100 Base-T Single Port Transformer Modules

With 1:1 Transmit Turns Ratios

Schematic

H1012NL, H1086NL, HX1148NL



Typical Application Circuits

H1012NL, H1086NL, HX1148NL

