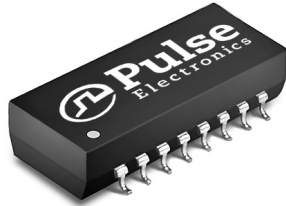


10/100Base-TX Single Port Transformers Modules

With Various Transmit Turns Ratios



- RoHS peak reflow temperature rating 245°C
- Meets IEEE 802.3 specification
- Designed for use with transceivers for AMD & Micrel

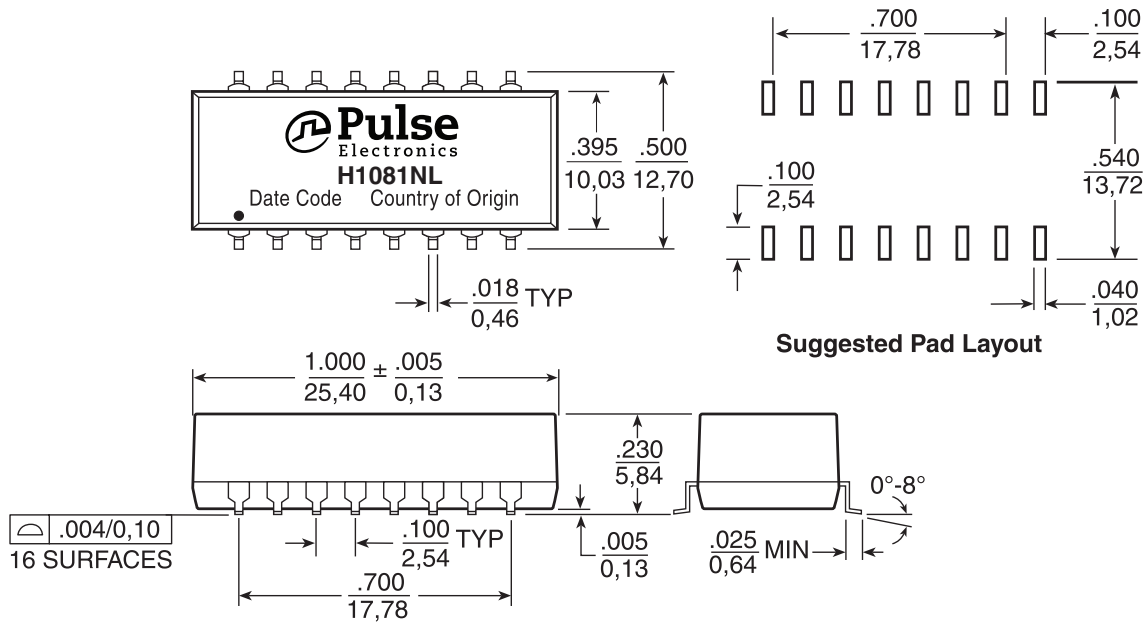
Electrical Specifications @ 25°C - Operating Temperature 0°C to 70°C

Part Number ²	Turns Ratio (±5%)		Insertion Loss (dB MAX)	Return Loss (dB MIN)			Crosstalk (dB MIN)			Hipot (Vrms MIN)
	TX	RX	100 kHz-100 MHz	30 MHz	60 MHz	80 MHz	30 MHz	60 MHz	100 MHz	
H1081NL ^{1c}	1:1.141	1:1	-2.0	-18	-12	-11	-45	-38	-34	1500

- MSL = Moisture Sensitivity Level: **a** = 1, **b** = 2, **c** = 3, **d** = 4, **e** = 5
- When ordering Tape and Reel packaging, add the suffix "T" to the end of the parts number. For example, H1081NLT.

Mechanical

H1081NL



Dimensions: $\frac{\text{Inches}}{\text{mm}}$

Unless otherwise specified, all tolerances are $\pm \frac{.010}{0.25}$

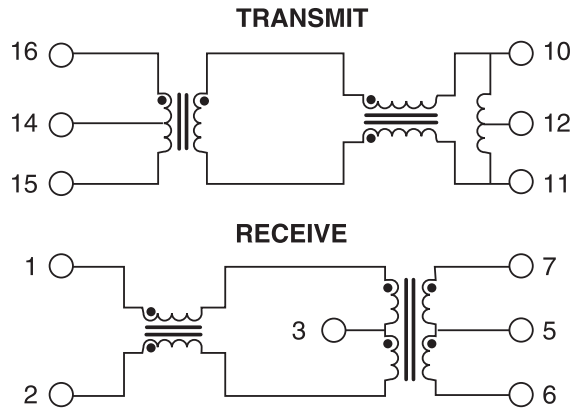
Weight 1.6 grams
 Tube 20/tube
 Tape and Reel 350/reel

10/100Base-TX Single Port Transformer Modules

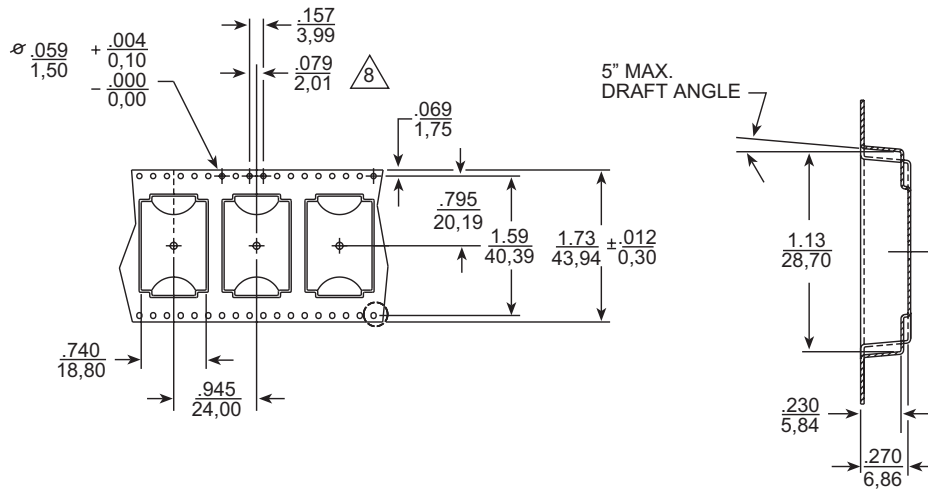
With Various Transmit Turns Ratios

Schematic

H1081NL



Tape & Reel Specifications



For More Information:

Americas - prodinfo@networkamericas@pulseelectronics.com | Europe - comms-Apps-Europe@pulseelectronics.com | Asia - prodinfo@networkapac@pulseelectronics.com

Performance warranty of products offered on this data sheet is limited to the parameters specified. Data is subject to change without notice. Other brand and product names mentioned herein may be trademarks or registered trademarks of their respective owners. © Copyright, 2019. Pulse Electronics, Inc. All rights reserved.