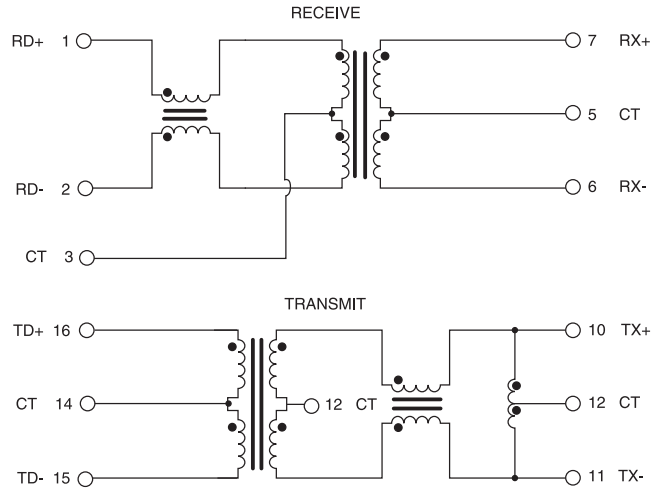


10/100 Base-T Single Port Transformer Modules

With 1:1 Transmit Turns Ratios

Schematic

H1012NL, H1086NL, HX1148NL



Typical Application Circuits

H1012NL, H1086NL, HX1148NL

