

## High-g, low-power 3-axis digital accelerometer



TFLGA-16L  
3 x 3 x 1.0 mm<sup>3</sup>

### Product status link

[H3LIS331DL](#)

### Product summary

Order code	H3LIS331DL	H3LIS331DLTR
Temp. range [°C]	-40 to +85	
Package	TFLGA-16L 3 x 3 x 1.0 mm <sup>3</sup>	
Packing	Tray	Tape and reel

### Product resources

[TN0018](#) (design and soldering)

### Product label



## Features

- 3-axis digital accelerometer
- $\pm 100g/\pm 200g/\pm 400g$  dynamically selectable full scales
- Output data rate (ODR) from 0.5 Hz up to 1 kHz
- Low power consumption down to 7  $\mu A$  in low-power mode
- Power savings and sleep-to-wake-up functions
- Programmable interrupts
- I<sup>2</sup>C/SPI digital output interface
- Supply voltage, 2.16 V to 3.6 V
- Low-voltage compatible IOs, 1.8 V
- 10000 g high-shock survivability
- [ECOPACK](#) and RoHS compliant

## Applications

- Car crash detection in wearables and personal electronics
- Shock detection
- Impact recognition and logging
- Concussion detection in impact sports
- Asset tracking
- Augmented sports equipment

## Description

The H3LIS331DL is a high-g, low-power, high-performance 3-axis linear accelerometer with digital I<sup>2</sup>C/SPI serial interface standard output.

The device features ultralow-power operational modes that allow advanced power saving and smart sleep-to-wake-up functions.

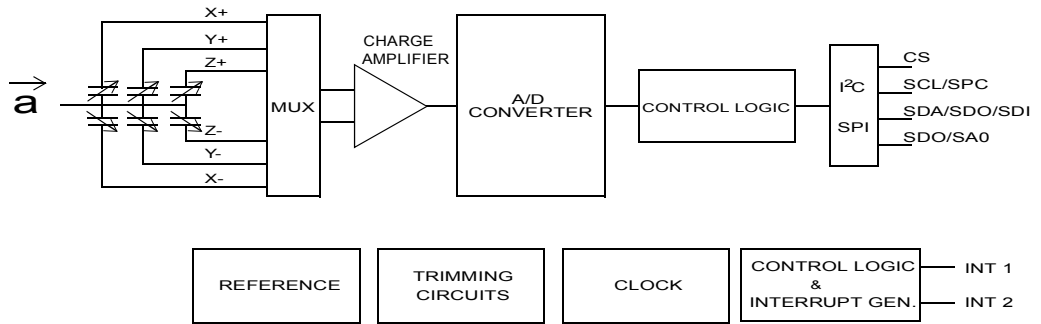
The H3LIS331DL has dynamically user-selectable full scales of  $\pm 100g/\pm 200g/\pm 400g$  and it is capable of measuring accelerations with output data rates from 0.5 Hz to 1 kHz.

The H3LIS331DL is available in a small thin plastic land grid array package (LGA) and it is guaranteed to operate over an extended temperature range from -40 °C to +85 °C.

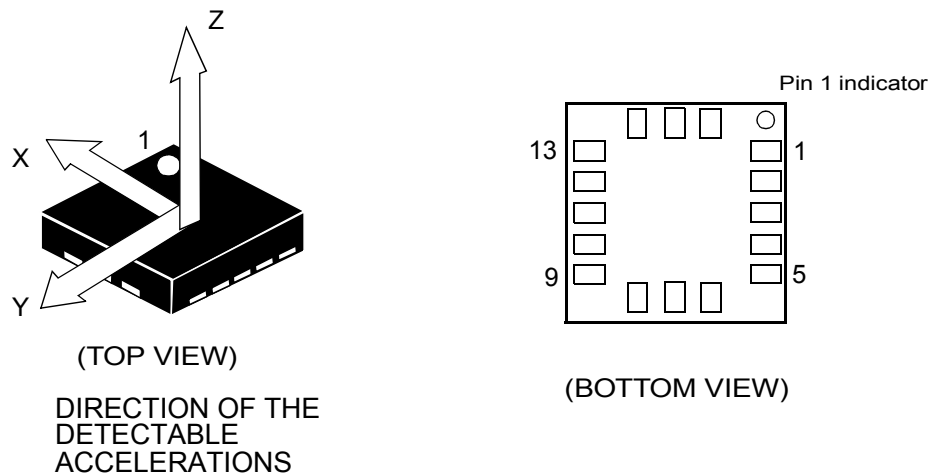
# 1 Block diagram and pin description

## 1.1 Block diagram

Figure 1. Block diagram



## 1.2 Pin description

**Figure 2. Pin connections**

**Table 1. Pin description**

Pin #	Name	Function
1	Vdd_IO	Power supply for I/O pins
2	NC	Not connected
3	NC	Not connected
4	SCL SPC	I <sup>2</sup> C serial clock (SCL) SPI serial port clock (SPC)
5	GND	0 V supply
6	SDA SDI SDO	I <sup>2</sup> C serial data (SDA) SPI serial data input (SDI) 3-wire interface serial data output (SDO)
7	SDO SA0	SPI serial data output (SDO) I <sup>2</sup> C less significant bit of the device address (SA0)
8	CS	SPI enable I <sup>2</sup> C/SPI mode selection (1: I <sup>2</sup> C mode; 0: SPI enabled)
9	INT 2	Inertial interrupt 2
10	Reserved	Connect to GND
11	INT 1	Inertial interrupt 1
12	GND	0 V supply
13	GND	0 V supply
14	Vdd	Power supply
15	Reserved	Connect to Vdd
16	GND	0 V supply

## 2 Mechanical and electrical specifications

### 2.1 Mechanical characteristics

@ V<sub>dd</sub> = 2.5 V, T = 25 °C unless otherwise noted. The product is factory calibrated at 2.5 V. The operational power supply range is from 2.16 V to 3.6 V. The product calibration is done at ±1 g.

**Table 2. Mechanical characteristics**

Symbol	Parameter	Test conditions	Min.	Typ. <sup>(1)</sup>	Max.	Unit
FS	Measurement range <sup>(2)</sup>	FS bit set to 00		±100		g
		FS bit set to 01		±200		
		FS bit set to 11		±400		
So	Sensitivity <sup>(3)</sup>	FS bit set to 00 12-bit representation		49		mg/digit
		FS bit set to 01 mg/digit 12-bit representation		98		
		FS bit set to 11 12-bit representation		195		
TCSO	Sensitivity change vs. temperature	FS bit set to 00		±0.01		%/°C
TyOff	Typical zero-g level offset accuracy <sup>(4)</sup>	FS bit set to 00		±1		g
TCOff	Zero-g level change vs. temperature	Max. delta from 25 °C		±5		mg/°C
An	Acceleration noise density	FS bit set to 00		15		mg/√Hz
NL	Nonlinearity	FS bit set to 00 Range -70 g .. +70 g		2		%FS
Top	Operating temperature range		-40		+85	°C
Wh	Product weight			20		mgram

1. Typical specifications are not guaranteed.
2. Verified by wafer level test and measurement of initial offset and sensitivity
3. Factory calibrated at ±1 g
4. Offset can be eliminated by enabling the built-in high-pass filter.

## 2.2 Electrical characteristics

@ Vdd = 2.5 V, T = 25 °C unless otherwise noted. The product is factory calibrated at 2.5 V. The operational power supply range is from 2.16 V to 3.6 V.

**Table 3. Electrical characteristics**

Symbol	Parameter	Test conditions	Min.	Typ. <sup>(1)</sup>	Max.	Unit
Vdd	Supply voltage		2.16	2.5	3.6	V
Vdd_IO	I/O pins supply voltage <sup>(2)</sup>		1.71		Vdd+0.1	V
Idd	Current consumption in normal mode	ODR 50 Hz ODR 400 Hz ODR 1000 Hz		260 300 370		μA
IddLP	Current consumption in low-power mode <sup>(3)</sup>	ODR 0.5 Hz ODR 1 Hz ODR 5 Hz ODR 10 Hz		7 10 38 75		μA
IddPdn	Current consumption in power-down mode			1		μA
VIH	Digital high-level input voltage		0.8*Vdd_IO			V
VIL	Digital low-level input voltage				0.2*Vdd_IO	V
VOH	High-level output voltage		0.9*Vdd_IO			V
VOL	Low-level output voltage				0.1*Vdd_IO	V
ODR	Output data rate in normal mode	DR bit set to 00		50		Hz
		DR bit set to 01		100		
		DR bit set to 10		400		
		DR bit set to 11		1000		
ODR <sub>LP</sub>	Output data rate in low-power mode	PM bit set to 010		0.5		Hz
		PM bit set to 011		1		
		PM bit set to 100		2		
		PM bit set to 101		5		
		PM bit set to 110		10		
BW	System bandwidth <sup>(4)</sup>			ODR/2		Hz
Ton	Turn-on time <sup>(5)</sup>	ODR = 100 Hz		1/ODR+1ms		s
Top	Operating temperature range		-40		+85	°C

1. Typical specifications are not guaranteed.
2. It is possible to remove Vdd maintaining Vdd\_IO without blocking the communication busses; in this condition the measurement chain is powered off.
3. Based on characterization data on a limited number of samples. Not measured in production.
4. Refer to Table 16 for filter cutoff frequency.
5. Time to obtain valid data after exiting power-down mode.

## 2.3 Communication interface characteristics

### 2.3.1 SPI - serial peripheral interface

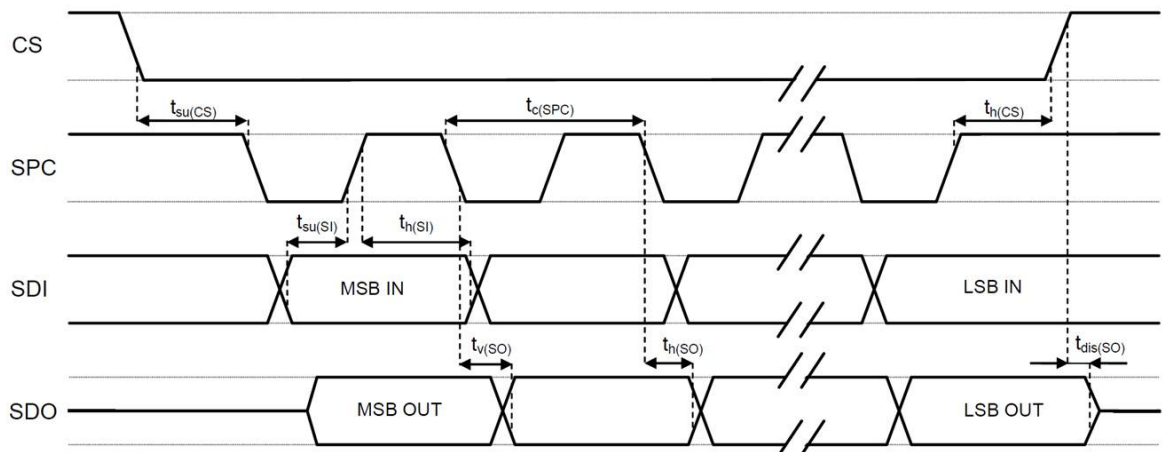
Subject to general operating conditions for V<sub>dd</sub> and Top.

**Table 4. SPI slave timing values**

Symbol	Parameter	Value <sup>(1)</sup>		Unit
		Min.	Max.	
$t_{c(SPC)}$	SPI clock cycle	100		ns
$f_{c(SPC)}$	SPI clock frequency		10	MHz
$t_{su(CS)}$	CS setup time	6		ns
$t_{h(CS)}$	CS hold time	8		
$t_{su(SI)}$	SDI input setup time	5		
$t_{h(SI)}$	SDI input hold time	15		
$t_{v(SO)}$	SDO valid output time		50	
$t_{h(SO)}$	SDO output hold time	9		
$t_{dis(SO)}$	SDO output disable time		50	

1. Values are guaranteed at 10 MHz clock frequency for SPI with both 4 and 3 wires, based on characterization results, not tested in production.

**Figure 3. SPI slave timing diagram**



**Note:** Measurement points are done at  $0.2 \cdot V_{dd\_IO}$  and  $0.8 \cdot V_{dd\_IO}$  for both input and output ports.  
When no communication is ongoing, data on CS, SPC, SDI and SDO are driven by internal pull-up resistors.

### 2.3.2 I<sup>2</sup>C - inter-IC control interface

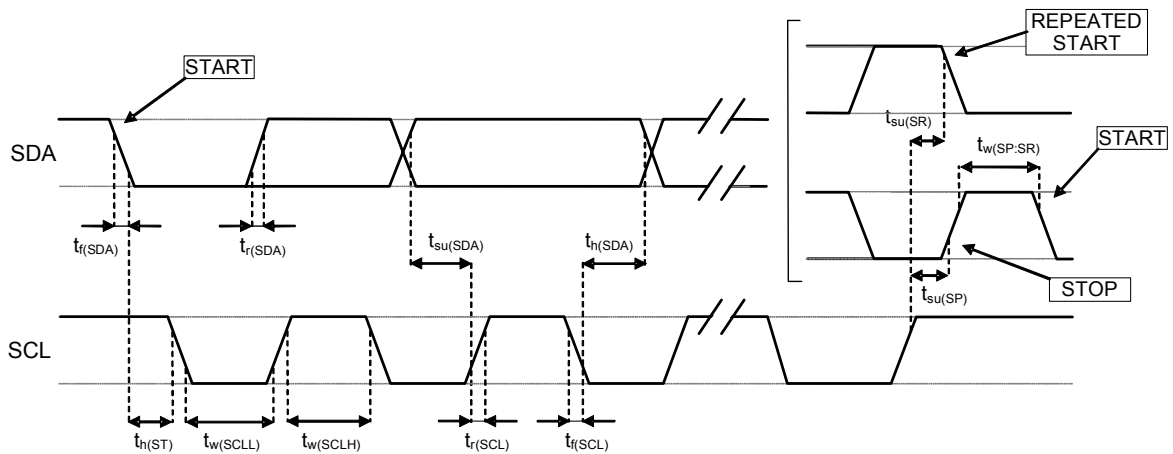
Subject to general operating conditions for V<sub>dd</sub> and Top.

**Table 5. I<sup>2</sup>C slave timing values**

Symbol	Parameter	I <sup>2</sup> C standard mode <sup>(1)</sup>		I <sup>2</sup> C fast mode <sup>(1)</sup>		Unit
		Min.	Max.	Min.	Max.	
f <sub>(SCL)</sub>	SCL clock frequency	0	100	0	400	kHz
t <sub>w(SCLL)</sub>	SCL clock low time	4.7		1.3		μs
t <sub>w(SCLH)</sub>	SCL clock high time	4.0		0.6		
t <sub>su(SDA)</sub>	SDA setup time	250		100		ns
t <sub>h(SDA)</sub>	SDA data hold time	0.01	3.45	0.01	0.9	μs
t <sub>r(SDA)</sub> t <sub>r(SCL)</sub>	SDA and SCL rise time		1000	20 + 0.1C <sub>b</sub> <sup>(2)</sup>	300	ns
t <sub>f(SDA)</sub> t <sub>f(SCL)</sub>	SDA and SCL fall time		300	20 + 0.1C <sub>b</sub> <sup>(2)</sup>	300	
t <sub>h(ST)</sub>	START condition hold time	4		0.6		μs
t <sub>su(SR)</sub>	Repeated START condition setup time	4.7		0.6		
t <sub>su(SP)</sub>	STOP condition setup time	4		0.6		
t <sub>w(SP:SR)</sub>	Bus free time between STOP and START condition	4.7		1.3		

1. Data based on standard I<sup>2</sup>C protocol requirement, not tested in production.
2. C<sub>b</sub> = total capacitance of one bus line in pF.

**Figure 4. I<sup>2</sup>C slave timing diagram**



*Note:* Measurement points are done at 0.2·V<sub>dd\_IO</sub> and 0.8·V<sub>dd\_IO</sub> for both ports.

## 2.4 Absolute maximum ratings

Stresses above those listed as absolute maximum ratings may cause permanent damage to the device. This is a stress rating only and functional operation of the device under these conditions is not implied. Exposure to maximum rating conditions for extended periods may affect device reliability.

**Table 6. Absolute maximum ratings**

Symbol	Ratings	Maximum value	Unit
V <sub>dd</sub>	Supply voltage	-0.3 to 4.8	V
V <sub>dd_IO</sub>	I/O pins supply voltage	-0.3 to 4.8	V
V <sub>in</sub>	Input voltage on any control pin (CS, SCL/SPC, SDA/SDI/SDO, SDO/SA0)	-0.3 to V <sub>dd_IO</sub> +0.3	V
A <sub>UNP</sub>	Acceleration (any axis, unpowered)	3000 g for 0.5 ms 10000 g for 0.1 ms	
T <sub>OP</sub>	Operating temperature range	-40 to +85	°C
T <sub>STG</sub>	Storage temperature range	-40 to +125	°C
ESD	Electrostatic discharge protection	4 (HBM)	kV
		1.5 (CDM)	kV
		200 (MM)	V

*Note:* Supply voltage on any pin should never exceed 4.8 V.



This device is sensitive to mechanical shock, improper handling can cause permanent damage to the part.



This device is sensitive to electrostatic discharge (ESD), improper handling can cause permanent damage to the part.



## 3 Terminology

### 3.1 Sensitivity

Sensitivity describes the gain of the sensor and can be determined by applying 1 g acceleration to it. The sensor can measure DC accelerations, which can be done easily by pointing the axis of interest towards the center of the Earth, noting the output value, rotating the sensor by 180 degrees (pointing to the sky), and noting the output value again. By doing so,  $\pm 1$  g acceleration is applied to the sensor. Subtracting the larger output value from the smaller one, and dividing the result by two, leads to the actual sensitivity of the sensor. This value changes very little over temperature and time. The sensitivity tolerance describes the range of sensitivities of a large population of sensors.

### 3.2 Zero-g level

The zero-g level offset (TyOff) describes the deviation of an actual output signal from the ideal output signal if no acceleration is present. A sensor in a steady-state on a horizontal surface measures 0 g for the X-axis and 0 g for the Y-axis whereas the Z-axis measures 1 g. The output is ideally in the middle of the dynamic range of the sensor (content of OUT registers 00h, data expressed as two's complement number). A deviation from the ideal value in this case is called zero-g offset. Offset is, to some extent, a result of stress to the MEMS sensor and therefore can slightly change after mounting the sensor onto a printed circuit board or exposing it to extensive mechanical stress. Offset changes little over temperature, refer to "Zero-g level change vs. temperature" (see TCOff in Table 2). The zero-g level tolerance (TyOff) describes the standard deviation of the range of zero-g levels of a population of sensors.

### 3.3 Sleep-to-wake-up

The "sleep-to-wake-up" function, in conjunction with low-power mode, allows further reducing the system power consumption and developing new smart applications.

The H3LIS331DL may be set in a low-power operating mode, characterized by lower data rate refreshes. In this way the device, even if sleeping, continues to sense acceleration and generate interrupt requests.

When the sleep-to-wake-up function is activated, the H3LIS331DL is able to automatically wake up as soon as the interrupt event has been detected, increasing the output data rate and bandwidth.

With this feature the system may be efficiently switched from low-power mode to full performance, depending on user-selectable positioning and acceleration events, therefore ensuring power saving and flexibility.

---

## 4 Functionality

---

The H3LIS331DL is a “nano”, low-power, digital output 3-axis linear accelerometer housed in an LGA package. The complete device includes a sensing element and an IC interface able to take the information from the sensing element and provide a signal to the application over an I<sup>2</sup>C/SPI serial interface.

### 4.1 Sensing element

A proprietary process is used to create a surface micromachined accelerometer. The technology allows processing suspended silicon structures, which are attached to the substrate in a few points called anchors and are free to move in the direction of the sensed acceleration. To be compatible with traditional packaging techniques, a cap is placed on top of the sensing element to avoid blocking the moving parts during the molding phase of the plastic encapsulation.

When an acceleration is applied to the sensor, the proof mass displaces from its nominal position, causing an imbalance in the capacitive half bridge. This imbalance is measured using charge integration in response to a voltage pulse applied to the capacitor.

At steady-state, the nominal value of the capacitors is a few pF and when an acceleration is applied, the maximum variation of the capacitive load is in the fF range.

### 4.2 IC interface

The complete measurement chain is composed of a low-noise capacitive amplifier, which converts the capacitive unbalance of the MEMS sensor into an analog voltage that is available to the user through an analog-to-digital converter.

The acceleration data may be accessed through an I<sup>2</sup>C/SPI interface, making the device particularly suitable for direct interfacing with a microcontroller.

The H3LIS331DL features a data-ready signal (RDY), which indicates when a new set of measured acceleration data is available, therefore simplifying data synchronization in the digital system that uses the device.

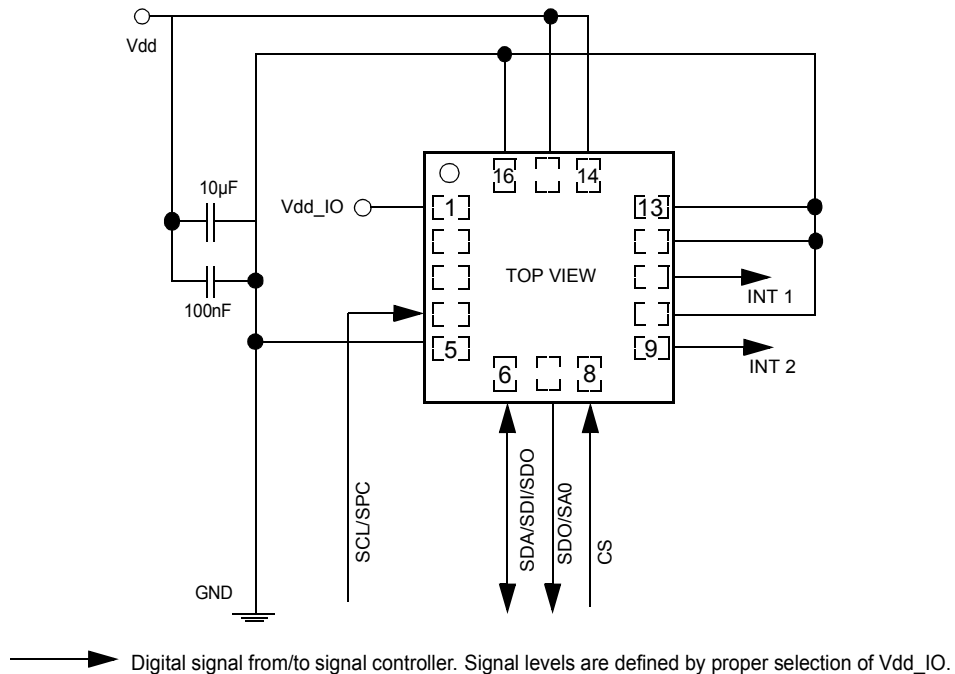
### 4.3 Factory calibration

The IC interface is factory calibrated for sensitivity (So) and zero-g level (TyOff).

The trim values are stored inside the device in nonvolatile memory. When the device is turned on, the trim parameters are downloaded into the registers to be used during active operation. This allows the device to be used without further calibration.

## 5 Application hints

Figure 5. H3LIS331DL electrical connections



The device core is supplied through the Vdd line while the I/O pins are supplied through the Vdd\_IO line. Power supply decoupling capacitors (100 nF ceramic, 10 µF aluminum) should be placed as near as possible to pin 14 of the device (common design practice).

All the voltage and ground supplies must be present at the same time to have proper behavior of the IC (refer to Figure 5). It is possible to remove Vdd maintaining Vdd\_IO without blocking the communication bus, in this condition the measurement chain is powered off.

The functionality of the device and the measured acceleration data are selectable and accessible through the I<sup>2</sup>C or SPI interfaces. When using the I<sup>2</sup>C, CS must be tied high.

The functions, the threshold, and the timing of the two interrupt pins (INT 1 and INT 2) can be completely programmed by the user through the I<sup>2</sup>C/SPI interface.

### 5.1 Soldering information

The LGA package is compliant with the [ECOPACK](#) and RoHS standards.

It is qualified for soldering heat resistance according to JEDEC J-STD-020C.

Leave “pin 1 indicator” unconnected during soldering.

For land pattern and soldering recommendations, consult technical note [TN0018](#) available on [www.st.com](http://www.st.com).

## 6 Digital interfaces

The registers embedded inside the H3LIS331DL may be accessed through both the I<sup>2</sup>C and SPI serial interfaces. The latter may be software configured to operate either in 3-wire or 4-wire interface mode.

The serial interfaces are mapped to the same pins. To select/exploit the I<sup>2</sup>C interface, the CS line must be tied high (that is, connected to Vdd\_IO).

**Table 7. Serial interface pin description**

Pin name	Pin description
CS	Enables SPI I <sup>2</sup> C/SPI mode selection (1: I <sup>2</sup> C mode; 0: SPI enabled)
SCL	I <sup>2</sup> C serial clock (SCL)
SPC	SPI serial port clock (SPC)
SDA	I <sup>2</sup> C serial data (SDA)
SDI	SPI serial data input (SDI)
SDO	3-wire interface serial data output (SDO)
SA0	I <sup>2</sup> C less significant bit of the device address (SA0)
SDO	SPI serial data output (SDO)

### 6.1 I<sup>2</sup>C serial interface

The H3LIS331DL I<sup>2</sup>C is a bus slave. The I<sup>2</sup>C is employed to write data into registers whose content can also be read back.

The relevant I<sup>2</sup>C terminology is given in the table below.

**Table 8. I<sup>2</sup>C terminology**

Term	Description
Transmitter	The device that sends data to the bus
Receiver	The device that receives data from the bus
Master	The device that initiates a transfer, generates clock signals, and terminates a transfer
Slave	The device addressed by the master

There are two signals associated with the I<sup>2</sup>C bus: the serial clock line (SCL) and the serial data line (SDA). The latter is a bidirectional line used for sending and receiving the data to/from the interface. Both the lines are connected to Vdd\_IO through a pull-up resistor embedded inside the H3LIS331DL. When the bus is free both lines are high.

The I<sup>2</sup>C interface is compliant with fast mode (400 kHz) I<sup>2</sup>C standards as well as with normal mode.

#### 6.1.1 I<sup>2</sup>C operation

The transaction on the bus is started through a start (ST) signal. A start condition is defined as a high to low transition on the data line while the SCL line is held high. After this has been transmitted by the master, the bus is considered busy. The next byte of data transmitted after the start condition contains the address of the slave in the first 7 bits and the eighth bit tells whether the master is receiving data from the slave or transmitting data to the slave. When an address is sent, each device in the system compares the first seven bits after a start condition with its address. If they match, the device considers itself addressed by the master.

The slave address (SAD) associated to the H3LIS331DL is 001100x. The **SDO/SA0** pin can be used to modify the less significant bit of the device address. If the SA0 pin is connected to the voltage supply, LSB is 1 (address 0011001) or else, if the SA0 pin is connected to ground, the LSB value is 0 (address 0011000). This solution allows the connection and addressing of two different accelerometers to the same I<sup>2</sup>C lines.

Data transfer with acknowledge is mandatory. The transmitter must release the SDA line during the acknowledge pulse. The receiver must then pull the data line low so that it remains stable low during the high period of the acknowledge clock pulse. A receiver that has been addressed is obliged to generate an acknowledge after each byte of data received.

The I<sup>2</sup>C embedded inside the H3LIS331DL behaves like a slave device and the following protocol must be adhered to. After the start condition (ST) a slave address is sent, once a slave acknowledge (SAK) has been returned, an 8-bit subaddress (SUB) is transmitted: the 7 LSB represent the actual register address while the MSB enables address auto increment. If the MSB of the SUB field is 1, the SUB (register address) is automatically increased to allow multiple data read/write.

The slave address is completed with a read/write bit. If the bit is 1 (read), a repeated start (SR) condition must be issued after the two subaddress bytes; if the bit is 0 (write), the master transmits to the slave with the direction unchanged. Table 10 explains how the SAD+read/write bit pattern is composed, listing all the possible configurations.

**Table 9. SAD+read/write patterns**

Command	SAD[6:1]	SAD[0] = SA0	R/W	SAD+R/W
Read	001100	0	1	00110001 (31h)
Write	001100	0	0	00110000 (30h)
Read	001100	1	1	00110011 (33h)
Write	001100	1	0	00110010 (32h)

**Table 10. Transfer when master is writing one byte to slave**

Master	ST	SAD + W		SUB		DATA		SP
Slave			SAK		SAK		SAK	

**Table 11. Transfer when master is writing multiple bytes to slave**

Master	ST	SAD + W		SUB		DATA		DATA		SP
Slave			SAK		SAK	SAK	SAK	SAK		

**Table 12. Transfer when master is receiving (reading) one byte of data from slave**

Master	ST	SAD + W		SUB		SR	SAD + R			NMAK	SP
Slave			SAK		SAK			SAK	DATA		

**Table 13. Transfer when master is receiving (reading) multiple bytes of data from slave**

Master	ST	SAD + W		SUB		SR	SAD + R			MAK		MAK		NMAK	SP
Slave			SAK		SAK		SAK	DATA		DATA		DATA			

Data are transmitted in byte format (DATA). Each data transfer contains 8 bits. The number of bytes transferred per transfer is unlimited. Data is transferred with the most significant bit (MSB) first. If a slave receiver does not acknowledge the slave address (that is, it is not able to receive because it is performing some real-time function) the data line must be left high by the slave. The master can then abort the transfer. A low-to-high transition on the SDA line while the SCL line is high is defined as a stop condition. Each data transfer must be terminated by the generation of a stop (SP) condition.

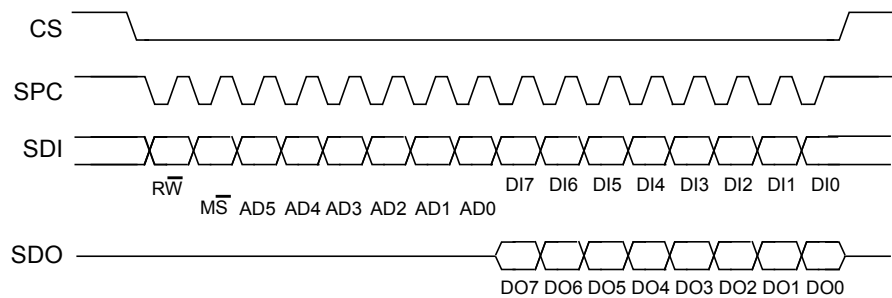
In order to read multiple bytes, it is necessary to assert the most significant bit of the subaddress field. In other words, SUB(7) must be equal to 1 while SUB(6-0) represents the address of the first register to be read.

In the presented communication format MAK is master acknowledge and NMAK is no master acknowledge.

## 6.2 SPI bus interface

The H3LIS331DL SPI is a bus slave. The SPI allows the writing and reading the device registers. The serial interface interacts with the application using four wires: **CS**, **SPC**, **SDI**, and **SDO**.

**Figure 6. Read and write protocol**



**CS** enables the serial port and it is controlled by the SPI master. It goes low at the start of the transmission and goes back high at the end. **SPC** is the serial port clock and it is controlled by the SPI master. It is stopped high when **CS** is high (no transmission). **SDI** and **SDO** are respectively the serial port data input and output. Those lines are driven at the falling edge of **SPC** and should be captured at the rising edge of **SPC**.

Both the read register and write register commands are completed in 16 clock pulses or in multiples of 8 in the case of multiple read/write bytes. Bit duration is the time between the two falling edges of **SPC**. The first bit (bit 0) starts at the first falling edge of **SPC** after the falling edge of **CS** while the last bit (bit 15, bit 23, ...) starts at the last falling edge of **SPC** just before the rising edge of **CS**.

**bit 0:**  $\overline{RW}$  bit. When 0, the data  $DI(7:0)$  is written into the device. When 1, the data  $DO(7:0)$  from the device is read. In the latter case, the chip drives **SDO** at the start of bit 8.

**bit 1:**  $\overline{MS}$  bit. When 0, the address remains unchanged in multiple read/write commands. When 1, the address is auto-incremented in multiple read/write commands.

**bit 2-7:** address  $AD(5:0)$ . This is the address field of the indexed register.

**bit 8-15:** data  $DI(7:0)$  (write mode). This is the data that is written into the device (MSB first).

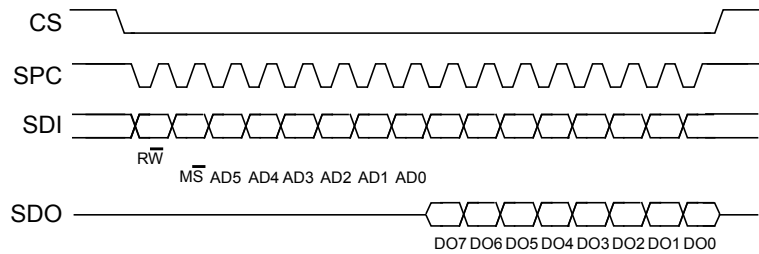
**bit 8-15:** data  $DO(7:0)$  (read mode). This is the data that is read from the device (MSB first).

In multiple read/write commands, further blocks of 8 clock periods are added. When the  $\overline{MS}$  bit is 0, the address used to read/write data remains the same for every block. When the  $\overline{MS}$  bit is 1 the address used to read/write data is increased at every block.

The function and the behavior of **SDI** and **SDO** remain unchanged.

6.2.1 SPI read

Figure 7. SPI read protocol



The SPI read command is performed with 16 clock pulses. A multiple byte read command is performed by adding blocks of 8 clock pulses to the previous one.

**bit 0:** READ bit. The value is 1.

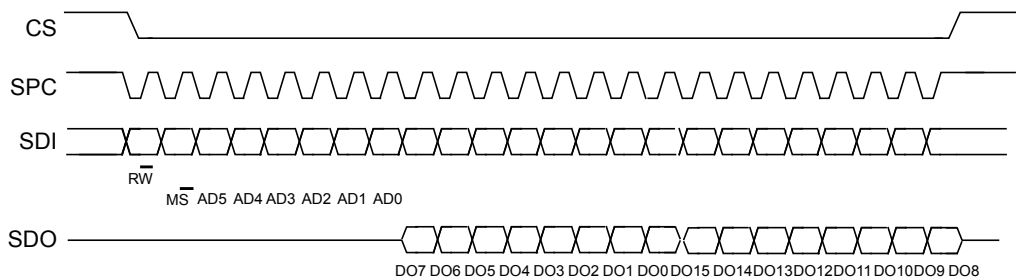
**bit 1:**  $\overline{MS}$  bit. When 0, does not increment the address. When 1, increments the address in multiple reads.

**bit 2-7:** address AD(5:0). This is the address field of the indexed register.

**bit 8-15:** data DO(7:0) (read mode). This is the data that is read from the device (MSB first).

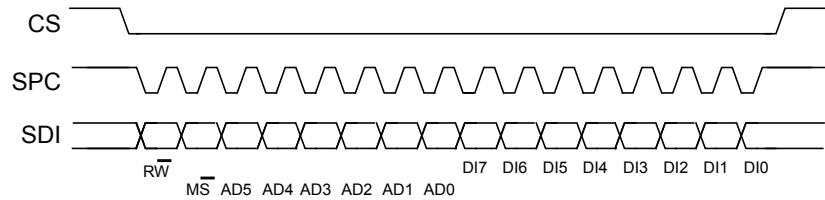
**bit 16-...** : data DO(...-8). Further data in multiple byte reads.

Figure 8. Multiple byte SPI read protocol (2-byte example)



## 6.2.2 SPI write

**Figure 9. SPI write protocol**



The SPI write command is performed with 16 clock pulses. A multiple byte write command is performed by adding blocks of 8 clock pulses to the previous one.

**bit 0:** WRITE bit. The value is 0.

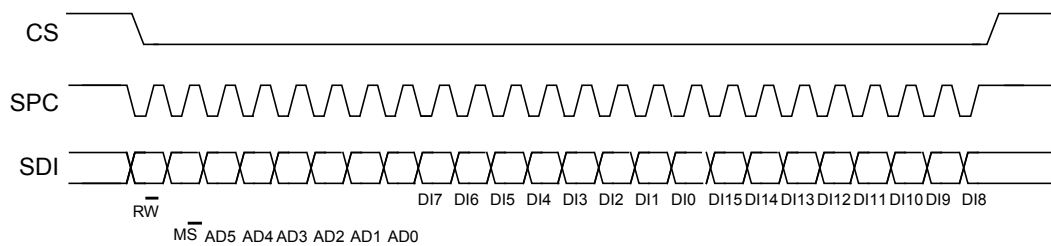
**bit 1:**  $\overline{MS}$  bit. When 0, does not increment the address. When 1, increments the address in multiple writes.

**bit 2 -7:** address AD(5:0). This is the address field of the indexed register.

**bit 8-15:** data DI(7:0) (write mode). This is the data that is written inside the device (MSB first).

**bit 16-...:** data DI(...-8). Further data in multiple byte writes.

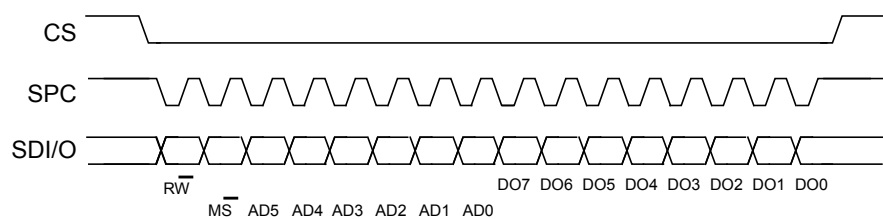
**Figure 10. Multiple byte SPI write protocol (2-byte example)**



## 6.2.3 SPI read in 3-wire mode

In order to enter 3-wire mode, set bit SIM (SPI serial interface mode selection) to 1 in CTRL\_REG4 (23h).

**Figure 11. SPI read protocol in 3-wire mode**



The SPI read command is performed with 16 clock pulses:

**bit 0:** READ bit. The value is 1.

**bit 1:**  $\overline{MS}$  bit. When 0, does not increment the address. When 1, increments the address in multiple reads.

**bit 2-7:** address AD(5:0). This is the address field of the indexed register.

**bit 8-15:** data DO(7:0) (read mode). This is the data that is read from the device (MSB first).

The multiple read command is also available in 3-wire mode.



## 7 Register mapping

The following table provides a list of the 8-bit registers embedded in the device and the corresponding addresses.

**Table 14. Register address map**

Name	Type	Register address		Default	Comment
		Hex	Binary		
Reserved (do not modify)		00 - 0E			Reserved
WHO_AM_I	R	0F	000 1111	00110010	Dummy register
Reserved (do not modify)		10 - 1F			Reserved
CTRL_REG1	R/W	20	010 0000	00000111	
CTRL_REG2	R/W	21	010 0001	00000000	
CTRL_REG3	R/W	22	010 0010	00000000	
CTRL_REG4	R/W	23	010 0011	00000000	
CTRL_REG5	R/W	24	010 0100	00000000	
HP_FILTER_RESET	R	25	010 0101		Dummy register
REFERENCE	R/W	26	010 0110	00000000	
STATUS_REG	R	27	010 0111	00000000	
OUT_X_L	R	28	010 1000	Output	
OUT_X_H	R	29	010 1001	Output	
OUT_Y_L	R	2A	010 1010	Output	
OUT_Y_H	R	2B	010 1011	Output	
OUT_Z_L	R	2C	010 1100	Output	
OUT_Z_H	R	2D	010 1101	Output	
Reserved (do not modify)		2E - 2F			Reserved
INT1_CFG	R/W	30	011 0000	00000000	
INT1_SRC	R	31	011 0001	00000000	
INT1_THS	R/W	32	011 0010	00000000	
INT1_DURATION	R/W	33	011 0011	00000000	
INT2_CFG	R/W	34	011 0100	00000000	
INT2_SRC	R	35	011 0101	00000000	
INT2_THS	R/W	36	011 0110	00000000	
INT2_DURATION	R/W	37	011 0111	00000000	
Reserved (do not modify)		38 - 3F			Reserved

Reserved registers must not be changed as they contain the factory calibration values. Their content is automatically restored when the device is powered up. Writing to those registers may change calibration data and thus lead to improper functioning of the device.

## 8 Register description

The device contains a set of registers that are used to control its behavior and to retrieve acceleration data. The register address, consisting of 7 bits, is used to identify them and to write the data over the serial interface.

### 8.1 WHO\_AM\_I (0Fh)

7	6	5	4	3	2	1	0
0	0	1	1	0	0	1	0

Device identification register

This register contains the device identifier that for the H3LIS331DL is set to 32h.

### 8.2 CTRL\_REG1 (20h)

7	6	5	4	3	2	1	0
PM2	PM1	PM0	DR1	DR0	Zen	Yen	Xen

PM[2:0]	Power mode selection. Default value: 000 (000: power-down; others: refer to <a href="#">Table 15</a> )
DR[1:0]	Data rate selection. Default value: 00 (00: 50 Hz; others: refer <a href="#">Table 16</a> )
Zen	Enables Z-axis. Default value: 1 (0: Z-axis disabled; 1: Z-axis enabled)
Yen	Enables Y-axis. Default value: 1 (0: Y-axis disabled; 1: Y-axis enabled)
Xen	Enables X-axis. Default value: 1 (0: X-axis disabled; 1: X-axis enabled)

The **PM** bits allow the user to select between power-down and two operating active modes. The device is in power-down mode when the PD bits are set to 000 (default value after boot). [Table 15](#) shows the power mode configurations and respective output data rates. Output data in low-power mode are computed with the low-pass filter cutoff frequency defined by the DR1, DR0 bits.

The **DR** bits, in normal mode operation, select the data rate at which acceleration samples are produced. In low-power modes they define the output data resolution. [Table 16](#) shows the configurations for the DR1 and DR0 bits.

**Table 15. Power mode and low-power output data rate configurations**

PM2	PM1	PM0	Power mode selection	Output data rate [Hz] ODR <sub>LP</sub>
0	0	0	Power-down	--
0	0	1	Normal mode	ODR
0	1	0	Low power	0.5
0	1	1	Low power	1
1	0	0	Low power	2
1	0	1	Low power	5
1	1	0	Low power	10

**Table 16. Normal mode output data rate configurations and low-pass cutoff frequencies**

DR1	DR0	Output data rate (ODR) [Hz]	Low-pass filter cutoff frequency [Hz]
0	0	50	37
0	1	100	74
1	0	400	292
1	1	1000	780

### 8.3 CTRL\_REG2 (21h)

7	6	5	4	3	2	1	0
BOOT	HPM1	HPM0	FDS	HPen2	HPen1	HPCF1	HPCF0

BOOT	Reboot memory content. Default value: 0 (0: normal mode; 1: reboot memory content)
HPM[1:0]	High-pass filter mode selection. Default value: 00 (00: normal mode; others: refer to Table 17)
FDS	Filtered data selection. Default value: 0 (0: internal filter bypassed; 1: data from internal filter sent to output register)
HPen2	High-pass filter enabled for interrupt 2 source. Default value: 0 (0: filter bypassed; 1: filter enabled)
HPen1	High-pass filter enabled for interrupt 1 source. Default value: 0 (0: filter bypassed; 1: filter enabled)
HPCF[1:0]	High-pass filter cutoff frequency configuration. Default value: 00 (00: HPc=8; 01: HPc=16; 10: HPc=32; 11: HPc=64)

The **BOOT** bit is used to refresh the content of the internal registers stored in the flash memory block. At device power-up, the content of the flash memory block is transferred to the internal registers related to trimming functions in order to permit correct operation of the device itself. If for any reason the content of the trimming registers is changed, it is sufficient to use this bit to restore the correct values. When the BOOT bit is set to 1, the content of the internal flash memory is copied inside the corresponding internal registers and it is used to calibrate the device. These values are factory trimmed and they are different for every accelerometer. They permit correct operation of the device and normally they do not have to be changed. At the end of the boot process, the BOOT bit is set again to 0.

**Table 17. High-pass filter mode configuration**

HPM1	HPM0	High-pass filter mode
0	0	Normal mode (reset by reading HP_RESET_FILTER)
0	1	Reference signal for filtering
1	0	Normal mode (reset by reading HP_RESET_FILTER)

**HPCF[1:0]**. These bits are used to configure the high-pass filter cutoff frequency  $f_t$  which is given by:

$$f_t = \ln\left(1 - \frac{1}{HPc}\right) \cdot \frac{f_s}{2\pi}$$

The equation can be simplified to the following approximated equation:

$$f_t = \frac{f_s}{6 \cdot HPc}$$

**Table 18. High-pass filter cutoff frequency configuration**

HPcoeff2,1	f <sub>t</sub> [Hz] Data rate = 50 Hz	f <sub>t</sub> [Hz] Data rate = 100 Hz	f <sub>t</sub> [Hz] Data rate = 400 Hz	f <sub>t</sub> [Hz] Data rate = 1000 Hz
00	1	2	8	20
01	0.5	1	4	10
10	0.25	0.5	2	5
11	0.125	0.25	1	2.5

## 8.4 CTRL\_REG3 [interrupt CTRL register] (22h)

7	6	5	4	3	2	1	0
IHL	PP_OD	LIR2	I2_CFG1	I2_CFG0	LIR1	I1_CFG1	I1_CFG0

IHL	Interrupt active high, low. Default value: 0 (0: active high; 1: active low)
PP_OD	Push-pull/open-drain selection on interrupt pin. Default value: 0 (0: push-pull; 1: open drain)
LIR2	Latch interrupt request on INT2_SRC register, with INT2_SRC register cleared by reading INT2_SRC itself. Default value: 0 (0: interrupt request not latched; 1: interrupt request latched)
I2_CFG[1:0]	Data signal on INT 2 pin control bits (see Table 19). Default value: 00
LIR1	Latch interrupt request on the INT1_SRC register, with the INT1_SRC register cleared by reading the INT1_SRC register. Default value: 0 (0: interrupt request not latched; 1: interrupt request latched)
I1_CFG[1:0]	Data signal on INT 1 pin control bits (see Table 19). Default value: 00

**Table 19. Data signal on INT 1 and INT 2 pin**

I1(2)_CFG1	I1(2)_CFG0	INT 1(2) pin
0	0	Interrupt 1 (2) source
0	1	Interrupt 1 source OR interrupt 2 source
1	0	Data ready
1	1	Boot running

## 8.5 CTRL\_REG4 (23h)

7	6	5	4	3	2	1	0
BDU	BLE	FS1	FS0	0	0	0	SIM

BDU	Block data update. Default value: 0 (0: continuous update; 1: output registers not updated between read of MSB and LSB)
BLE	Big/little endian data selection. Default value: 0 (0: data LSB @ lower address; 1: data MSB @ lower address)
FS[1:0]	Full scale selection. Default value: 00 (00: $\pm 100 g$ ; 01: $\pm 200 g$ ; 11: $\pm 400 g$ )
SIM	SPI serial interface mode selection. Default value: 0 (0: 4-wire interface; 1: 3-wire interface)

The **BDU** bit is used to inhibit output register updates between the read of the upper and lower registers. In default mode (BDU = 0), the lower and upper registers are updated continuously. When the BDU is activated (BDU = 1), the content of the output registers is not updated until both MSB and LSB are read, which avoids reading values related to different sample times.

## 8.6 CTRL\_REG5 (24h)

7	6	5	4	3	2	1	0
0	0	0	0	0	0	TurnOn1	TurnOn0

The **turn-on** bits are used for turning on the **sleep-to-wake** function.

TurnOn[1:0]	Turn-on mode selection for sleep-to-wake function. Default value: 00
-------------	--

**Table 20. Sleep-to-wake configuration**

TurnOn1	TurnOn0	Sleep-to-wake status
0	0	Sleep-to-wake function is disabled
1	1	Turned on: The device is in low-power mode (the ODR is defined in <a href="#">CTRL_REG1 (20h)</a> )

Setting the TurnOn[1:0] bits to 11, the sleep-to-wake function is enabled. When an interrupt event occurs, the device switches to normal mode, increasing the ODR to the value defined in [CTRL\\_REG1 \(20h\)](#). Although the device is in normal mode, the content of [CTRL\\_REG1 \(20h\)](#) is not automatically changed to the normal mode configuration.

## 8.7 HP\_FILTER\_RESET (25h)

Dummy register

Reading at this address zeroes instantaneously the content of the internal high-pass filter. If the high-pass filter is enabled, all three axes are instantaneously set to 0 g. This allows the settling time of the high-pass filter to be overcome.

## 8.8 REFERENCE (26h)

7	6	5	4	3	2	1	0
Ref7	Ref6	Ref5	Ref4	Ref3	Ref2	Ref1	Ref0

Ref[7:0]	Reference value for the high-pass filter. Default value: 00h
----------	--

This register sets the acceleration value taken as a reference for the high-pass filter output.

When the filter is turned on (at least one of the FDS, HPen2, or HPen1 bits is equal to 1) and the HPM bits are set to 01, a filter-out is generated, taking this value as a reference.

## 8.9 STATUS\_REG (27h)

7	6	5	4	3	2	1	0
ZYXOR	ZOR	YOR	XOR	ZYXDA	ZDA	YDA	XDA

ZYXOR	X, Y, and Z-axis data overrun. Default value: 0 (0: no overrun has occurred; 1: new data has overwritten the previous data before it was read)
ZOR	Z-axis data overrun. Default value: 0 (0: no overrun has occurred; 1: new data for the Z-axis has overwritten the previous data)
YOR	Y-axis data overrun. Default value: 0 (0: no overrun has occurred; 1: new data for the Y-axis has overwritten the previous data)
XOR	X-axis data overrun. Default value: 0 (0: no overrun has occurred; 1: new data for the X-axis has overwritten the previous data)
ZYXDA	X, Y and Z-axis new data available. Default value: 0 (0: a new set of data is not yet available; 1: a new set of data is available)
ZDA	Z-axis new data available. Default value: 0 (0: new data for the Z-axis is not yet available; 1: new data for the Z-axis is available)
YDA	Y-axis new data available. Default value: 0 (0: new data for the Y-axis is not yet available; 1: new data for the Y-axis is available)
XDA	X-axis new data available. Default value: 0 (0: new data for the X-axis is not yet available; 1: new data for the X-axis is available)

### 8.10 OUT\_X\_L (28h), OUT\_X\_H (29h)

X-axis acceleration data. The value is expressed as two's complement.

### 8.11 OUT\_Y\_L (2Ah), OUT\_Y\_H (2Bh)

Y-axis acceleration data. The value is expressed as two's complement.

### 8.12 OUT\_Z\_L (2Ch), OUT\_Z\_H (2Dh)

Z-axis acceleration data. The value is expressed as two's complement.

### 8.13 INT1\_CFG (30h)

7	6	5	4	3	2	1	0
AOI	0	ZHIE	ZLIE	YHIE	YLIE	XHIE	XLIE

AOI	AND/OR combination of interrupt events (see Table 21). Default value: 0.
ZHIE	Enables interrupt generation on Z high event. Default value: 0 (0: disable interrupt request; 1: enable interrupt request on measured accel. value higher than preset threshold)
ZLIE	Enables interrupt generation on Z low event. Default value: 0 (0: disable interrupt request; 1: enable interrupt request on measured accel. value lower than preset threshold)
YHIE	Enables interrupt generation on Y high event. Default value: 0 (0: disable interrupt request; 1: enable interrupt request on measured accel. value higher than preset threshold)
YLIE	Enables interrupt generation on Y low event. Default value: 0 (0: disable interrupt request; 1: enable interrupt request on measured accel. value lower than preset threshold)
XHIE	Enables interrupt generation on X high event. Default value: 0 (0: disable interrupt request; 1: enable interrupt request on measured accel. value higher than preset threshold)
XLIE	Enables interrupt generation on X low event. Default value: 0 (0: disable interrupt request; 1: enable interrupt request on measured accel. value lower than preset threshold)

Configuration register for interrupt 1 source

**Table 21. Interrupt 1 source configuration**

AOI	Interrupt mode
0	OR combination of interrupt events
1	AND combination of interrupt events

### 8.14 INT1\_SRC (31h)

7	6	5	4	3	2	1	0
0	IA	ZH	ZL	YH	YL	XH	XL

IA	Interrupt active. Default value: 0 (0: no interrupt has been generated; 1: one or more interrupts have been generated)
ZH	Z high. Default value: 0 (0: no interrupt, 1: Z high event has occurred)
ZL	Z low. Default value: 0 (0: no interrupt; 1: Z low event has occurred)
YH	Y high. Default value: 0 (0: no interrupt, 1: Y high event has occurred)
YL	Y low. Default value: 0 (0: no interrupt, 1: Y low event has occurred)
XH	X high. Default value: 0 (0: no interrupt, 1: X high event has occurred)
XL	X low. Default value: 0 (0: no interrupt, 1: X low event has occurred)

Interrupt 1 source register. Read-only register.

Reading at this address clears the INT1\_SRC IA bit (and the interrupt signal on the INT 1 pin) and allows the refresh of data in the INT1\_SRC register if the latched option is chosen.

### 8.15 INT1\_THS (32h)

7	6	5	4	3	2	1	0
0	THS6	THS5	THS4	THS3	THS2	THS1	THS0

THS[6:0]	Interrupt 1 threshold. Default value: 000 0000
----------	--

### 8.16 INT1\_DURATION (33h)

7	6	5	4	3	2	1	0
0	D6	D5	D4	D3	D2	D1	D0

D[6:0]	Duration value. Default value: 000 0000
--------	---

The **D6 - D0** bits set the minimum duration of the interrupt 2 event to be recognized. Duration steps and maximum values depend on the ODR chosen.



### 8.17 INT2\_CFG (34h)

7	6	5	4	3	2	1	0
AOI	0	ZHIE	ZLIE	YHIE	YLIE	XHIE	XLIE

AOI	AND/OR combination of interrupt events (see Table 22). Default value: 0
ZHIE	Enable interrupt generation on Z high event. Default value: 0 (0: disable interrupt request; 1: enable interrupt request on measured accel. value higher than preset threshold)
ZLIE	Enable interrupt generation on Z low event. Default value: 0 (0: disable interrupt request; 1: enable interrupt request on measured accel. value lower than preset threshold)
YHIE	Enable interrupt generation on Y high event. Default value: 0 (0: disable interrupt request; 1: enable interrupt request on measured accel. value higher than preset threshold)
YLIE	Enable interrupt generation on Y low event. Default value: 0 (0: disable interrupt request; 1: enable interrupt request on measured accel. value lower than preset threshold)
XHIE	Enable interrupt generation on X high event. Default value: 0 (0: disable interrupt request; 1: enable interrupt request on measured accel. value higher than preset threshold)
XLIE	Enable interrupt generation on X low event. Default value: 0 (0: disable interrupt request; 1: enable interrupt request on measured accel. value lower than preset threshold)

Configuration register for interrupt 2 source

**Table 22. Interrupt mode configuration**

AOI	Interrupt mode
0	OR combination of interrupt events
1	AND combination of interrupt events

### 8.18 INT2\_SRC (35h)

7	6	5	4	3	2	1	0
0	IA	ZH	ZL	YH	YL	XH	XL

IA	Interrupt active. Default value: 0 (0: no interrupt has been generated; 1: one or more interrupts have been generated)
ZH	Z high. Default value: 0 (0: no interrupt, 1: Z high event has occurred)
ZL	Z low. Default value: 0 (0: no interrupt; 1: Z low event has occurred)
YH	Y high. Default value: 0 (0: no interrupt, 1: Y high event has occurred)
YL	Y low. Default value: 0 (0: no interrupt, 1: Y low event has occurred)
XH	X high. Default value: 0 (0: no interrupt, 1: X high event has occurred)
XL	X low. Default value: 0 (0: no interrupt, 1: X low event has occurred)

Interrupt 2 source register. Read-only register.

Reading at this address clears the INT2\_SRC IA bit (and the interrupt signal on the INT 2 pin) and allows the refresh of data in the INT2\_SRC register if the latched option is chosen.

### 8.19 INT2\_THS (36h)

7	6	5	4	3	2	1	0
0	THS6	THS5	THS4	THS3	THS2	THS1	THS0

THS[6:0]	Interrupt 1 threshold. Default value: 000 0000
----------	--

### 8.20 INT2\_DURATION (37h)

7	6	5	4	3	2	1	0
0	D6	D5	D4	D3	D2	D1	D0

D[6:0]	Duration value. Default value: 000 0000
--------	---

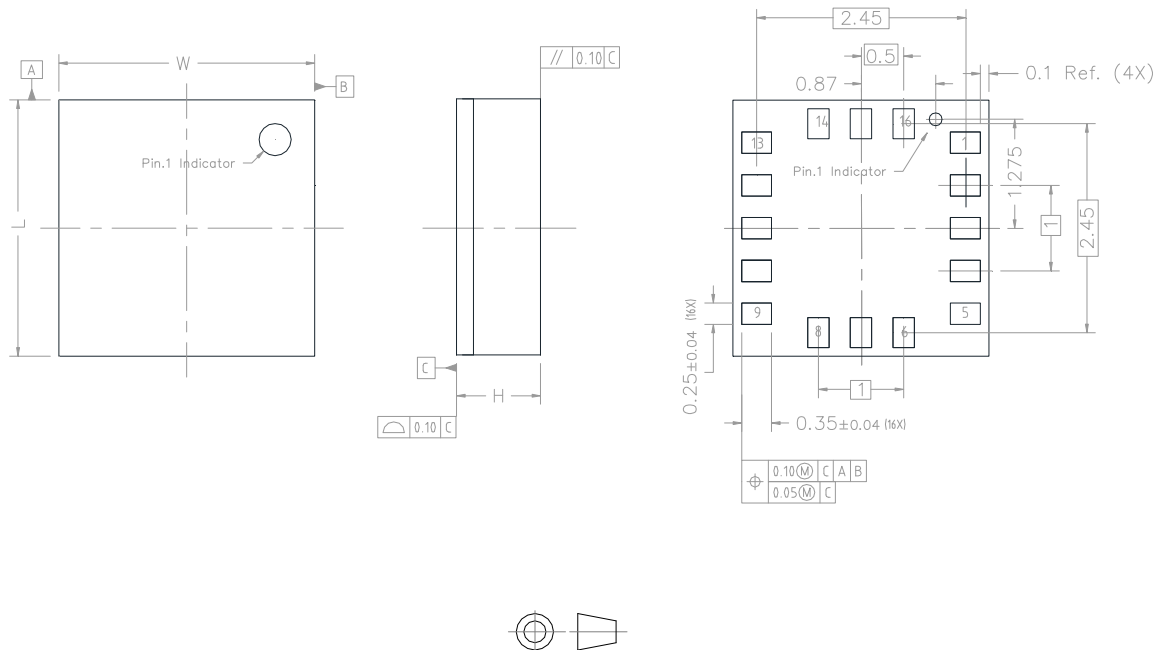
The **D6 - D0** bits set the minimum duration of the interrupt 2 event to be recognized. Duration time steps and maximum values depend on the ODR chosen.

## 9 Package information

In order to meet environmental requirements, ST offers these devices in different grades of **ECOPACK** packages, depending on their level of environmental compliance. ECOPACK specifications, grade definitions and product status are available at: [www.st.com](http://www.st.com). ECOPACK is an ST trademark.

### 9.1 TLGA-16L package information

**Figure 12. TFLGA-16L 3 x 3 x 1.0 mm package outline and mechanical data**



Dimensions are in millimeter unless otherwise specified  
General Tolerance is  $\pm 0.1$  mm unless otherwise specified

#### OUTER DIMENSIONS

ITEM	DIMENSION [mm]	TOLERANCE [mm]
Length [L]	3	$\pm 0.15$
Width [W]	3	$\pm 0.15$
Height [H]	1 max	/

7983231\_13

## Revision history

**Table 23. Document revision history**

Date	Version	Changes
28-Oct-2022	4	Updated <a href="#">Features, Applications, and Description</a> Updated <a href="#">Table 3. Electrical characteristics</a> Updated <a href="#">Table 6. Absolute maximum ratings</a> Updated <a href="#">Section 9.1 TLGA-16L package information</a> Minor textual changes

## Contents

<b>1</b>	<b>Block diagram and pin description</b> .....	<b>2</b>
1.1	Block diagram .....	2
1.2	Pin description .....	3
<b>2</b>	<b>Mechanical and electrical specifications</b> .....	<b>4</b>
2.1	Mechanical characteristics .....	4
2.2	Electrical characteristics .....	5
2.3	Communication interface characteristics .....	6
2.3.1	SPI - serial peripheral interface .....	6
2.3.2	I <sup>2</sup> C - inter-IC control interface .....	7
2.4	Absolute maximum ratings .....	8
<b>3</b>	<b>Terminology</b> .....	<b>9</b>
3.1	Sensitivity .....	9
3.2	Zero-g level .....	9
3.3	Sleep-to-wake-up .....	9
<b>4</b>	<b>Functionality</b> .....	<b>10</b>
4.1	Sensing element .....	10
4.2	IC interface .....	10
4.3	Factory calibration .....	10
<b>5</b>	<b>Application hints</b> .....	<b>11</b>
5.1	Soldering information .....	11
<b>6</b>	<b>Digital interfaces</b> .....	<b>12</b>
6.1	I <sup>2</sup> C serial interface .....	12
6.1.1	I <sup>2</sup> C operation .....	12
6.2	SPI bus interface .....	14
6.2.1	SPI read .....	15
6.2.2	SPI write .....	16
6.2.3	SPI read in 3-wire mode .....	16
<b>7</b>	<b>Register mapping</b> .....	<b>17</b>
<b>8</b>	<b>Register description</b> .....	<b>18</b>
8.1	WHO_AM_I (0Fh) .....	18
8.2	CTRL_REG1 (20h) .....	18
8.3	CTRL_REG2 (21h) .....	19
8.4	CTRL_REG3 [interrupt CTRL register] (22h) .....	20
8.5	CTRL_REG4 (23h) .....	21

<b>8.6</b>	CTRL_REG5 (24h) .....	21
<b>8.7</b>	HP_FILTER_RESET (25h).....	21
<b>8.8</b>	REFERENCE (26h) .....	22
<b>8.9</b>	STATUS_REG (27h).....	22
<b>8.10</b>	OUT_X_L (28h), OUT_X_H (29h).....	23
<b>8.11</b>	OUT_Y_L (2Ah), OUT_Y_H (2Bh) .....	23
<b>8.12</b>	OUT_Z_L (2Ch), OUT_Z_H (2Dh) .....	23
<b>8.13</b>	INT1_CFG (30h) .....	23
<b>8.14</b>	INT1_SRC (31h) .....	24
<b>8.15</b>	INT1_THS (32h) .....	24
<b>8.16</b>	INT1_DURATION (33h) .....	24
<b>8.17</b>	INT2_CFG (34h) .....	25
<b>8.18</b>	INT2_SRC (35h) .....	26
<b>8.19</b>	INT2_THS (36h) .....	26
<b>8.20</b>	INT2_DURATION (37h) .....	26
<b>9</b>	<b>Package information.....</b>	<b>27</b>
<b>9.1</b>	TLGA-16L package information.....	27
	<b>Revision history .....</b>	<b>28</b>
	<b>List of tables .....</b>	<b>31</b>
	<b>List of figures.....</b>	<b>32</b>

## List of tables

<b>Table 1.</b>	Pin description . . . . .	3
<b>Table 2.</b>	Mechanical characteristics . . . . .	4
<b>Table 3.</b>	Electrical characteristics . . . . .	5
<b>Table 4.</b>	SPI slave timing values. . . . .	6
<b>Table 5.</b>	I <sup>2</sup> C slave timing values . . . . .	7
<b>Table 6.</b>	Absolute maximum ratings . . . . .	8
<b>Table 7.</b>	Serial interface pin description . . . . .	12
<b>Table 8.</b>	I <sup>2</sup> C terminology . . . . .	12
<b>Table 9.</b>	SAD+read/write patterns. . . . .	13
<b>Table 10.</b>	Transfer when master is writing one byte to slave. . . . .	13
<b>Table 11.</b>	Transfer when master is writing multiple bytes to slave . . . . .	13
<b>Table 12.</b>	Transfer when master is receiving (reading) one byte of data from slave . . . . .	13
<b>Table 13.</b>	Transfer when master is receiving (reading) multiple bytes of data from slave . . . . .	13
<b>Table 14.</b>	Register address map . . . . .	17
<b>Table 15.</b>	Power mode and low-power output data rate configurations . . . . .	18
<b>Table 16.</b>	Normal mode output data rate configurations and low-pass cutoff frequencies . . . . .	19
<b>Table 17.</b>	High-pass filter mode configuration . . . . .	19
<b>Table 18.</b>	High-pass filter cutoff frequency configuration . . . . .	20
<b>Table 19.</b>	Data signal on INT 1 and INT 2 pin. . . . .	20
<b>Table 20.</b>	Sleep-to-wake configuration . . . . .	21
<b>Table 21.</b>	Interrupt 1 source configuration . . . . .	23
<b>Table 22.</b>	Interrupt mode configuration . . . . .	25
<b>Table 23.</b>	Document revision history . . . . .	28

## List of figures

<b>Figure 1.</b>	Block diagram . . . . .	2
<b>Figure 2.</b>	Pin connections . . . . .	3
<b>Figure 3.</b>	SPI slave timing diagram . . . . .	6
<b>Figure 4.</b>	I <sup>2</sup> C slave timing diagram . . . . .	7
<b>Figure 5.</b>	H3LIS331DL electrical connections . . . . .	11
<b>Figure 6.</b>	Read and write protocol . . . . .	14
<b>Figure 7.</b>	SPI read protocol . . . . .	15
<b>Figure 8.</b>	Multiple byte SPI read protocol (2-byte example). . . . .	15
<b>Figure 9.</b>	SPI write protocol . . . . .	16
<b>Figure 10.</b>	Multiple byte SPI write protocol (2-byte example) . . . . .	16
<b>Figure 11.</b>	SPI read protocol in 3-wire mode . . . . .	16
<b>Figure 12.</b>	TFLGA-16L 3 x 3 x 1.0 mm package outline and mechanical data . . . . .	27