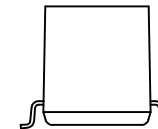
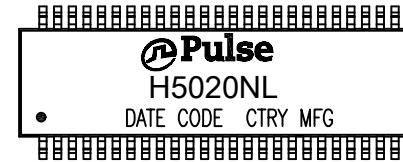


NOTES:

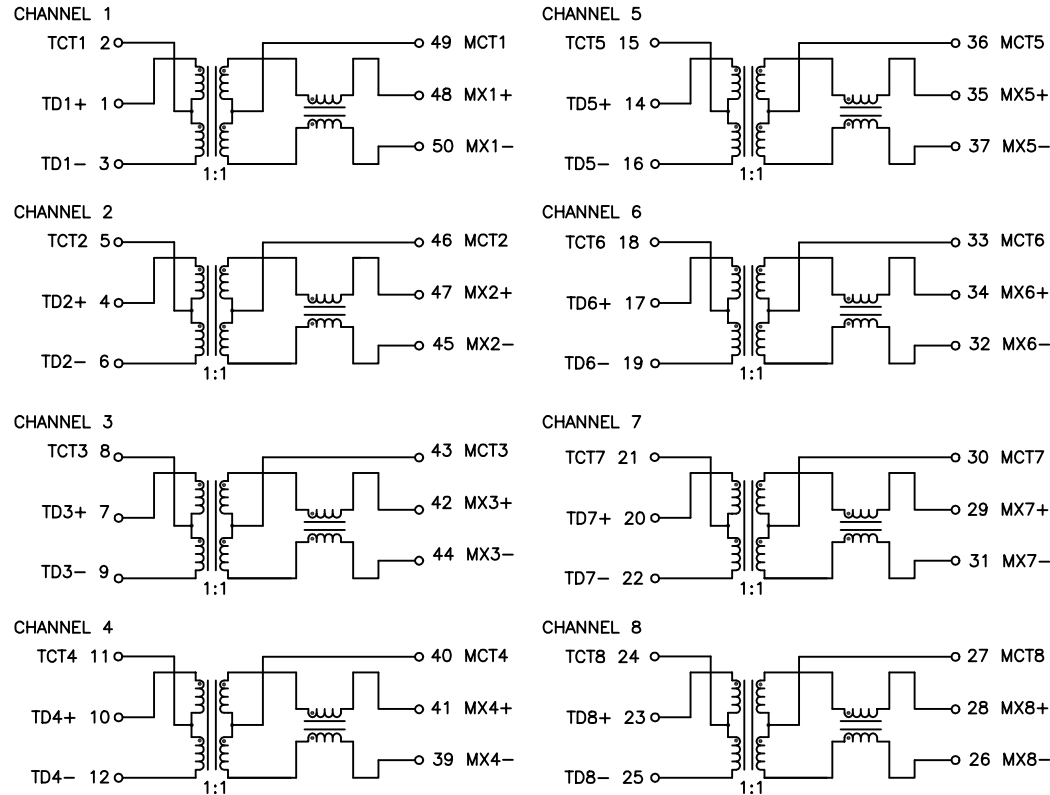
1. ROHS COMPLIANT
2. HEADER: THERMOSET PLASTIC MATERIAL WITH FLAMMABILITY RATING UL 94V-0 OR BETTER.
3. STORAGE TEMPERATURE: -20°C TO +125°C
4. COMPLIANCE TO J-STD:
  - A. J-STD-002: SOLDERABILITY AT 245°C REFLOW PROFILE
  - B. J-STD-020: LEVEL 1, NO MOISTURE SENSITIVE
  - C. J-STD-075: R7, 245°C MAXIMUM THROUGH REFLOW SOLDER
5. TO ORDER TAPE & REEL PACKAGING ADD A "T" SUFFIX TO THE PART NUMBER(i.e H5020NL BECOMES H5020NLT).



FINAL OUTLINE

© Copyright, 2015. Pulse Electronics Corp. All rights reserved. Pulse confidential & proprietary. (07/30/15)

| PRODUCT DESCRIPTION  | TLA DRAWING | PS DRAWING    | SHEET  | PART NO. | DATASHEET REV. |
|----------------------|-------------|---------------|--------|----------|----------------|
| MDL,DUAL,1GD,1:1,SMT | H5020NL-13  | PS-5020.001-B | 1 OF 3 | H5020NL  | A              |



ELECTRICAL CHARACTERISTICS AT +25°C UNLESS OTHER SPECIFIED  
MEETS IEEE 802.3 SPECIFICATION

| PARAMETER                                      | SPECIFICATIONS  |  |
|--|---|--|
| OPERATING TEMP                                 | 0°C - 70 °C   |  |
| URNS RATIO                                     | 1 : 1 ±2%   |  |
| POLARITY                                       | PER SCHEMATIC   |  |
| INSERTION LOSS                                 | 100 KHz   | 1-125 MHz                                  |
|  | -1.2 dB MAX   | -0.2-0.002*f <sup>1.4</sup> dB MAX         |
| RETURN LOSS<br>(Z OUT = 100 OHM ±15%)          | .1-40 MHz   | 40-100 MHz                                 |
|  | -16 dB MIN  | -10+20*LOG <sub>10</sub> (f/80 MHz) dB MIN |
| INDUCTANCE (OCL)<br>(MEDIA SIDE, -40°C, +85°C) | 350 uH MIN (MEASURED AT 100 KHz, 100 mVRMS AND WITH 8 mA DC BIAS) |  |
| CROSSTALK, ADJACENT CHANNELS                   | 1 MHz   | 10-100 MHz                                 |
|  | -50 dB MIN  | -55+22*LOG <sub>10</sub> (f/10) dB MIN     |
| COMMON MODE REJECTION RATIO                    | 2 MHz   | 30-200 MHz                                 |
|  | -50 dB MIN  | -15+20*LOG <sub>10</sub> (f/200) dB MIN    |
| DC RESISTANCE, 1/2 WINDING                     | .65 OHMS MAX  |  |
| DC RESISTANCE IMBALANCE                        | ±.065 OHMS MAX (CENTER TAP SYMMETRY)                              |  |
| DC CURRENT/VOLTAGE RATING - PSE PINS           | 350 mA, @ 57 V (CONTINUOUS)                                       |  |
| INPUT - OUTPUT ISOLATION                       | 1500 VRMS MIN @ 60 SECONDS  |  |

NOTE: f IS FREQUENCY IN MHZ.

© Copyright, 2015. Pulse Electronics Corp. All rights reserved. Pulse confidential & proprietary. (07/30/15)

| PRODUCT DESCRIPTION  | TLA DRAWING | PS DRAWING    | SHEET  | PART NO. | DATASHEET REV. |
|----------------------|-------------|---------------|--------|----------|----------------|
| MDL,DUAL,1GD,1:1,SMT | H5020NL-13  | PS-5020.001-B | 2 OF 3 | H5020NL  | A              |