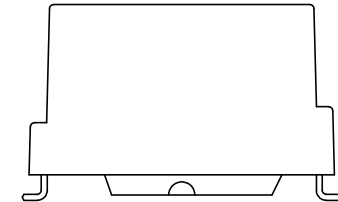
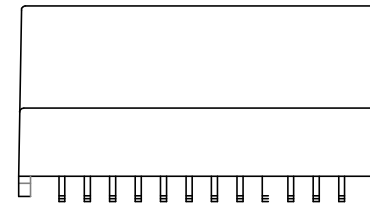
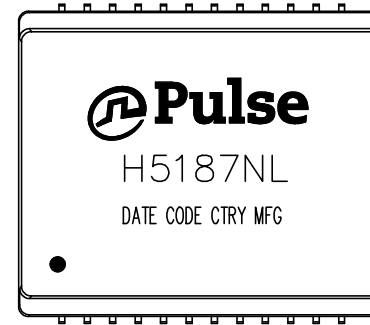




NOTES:

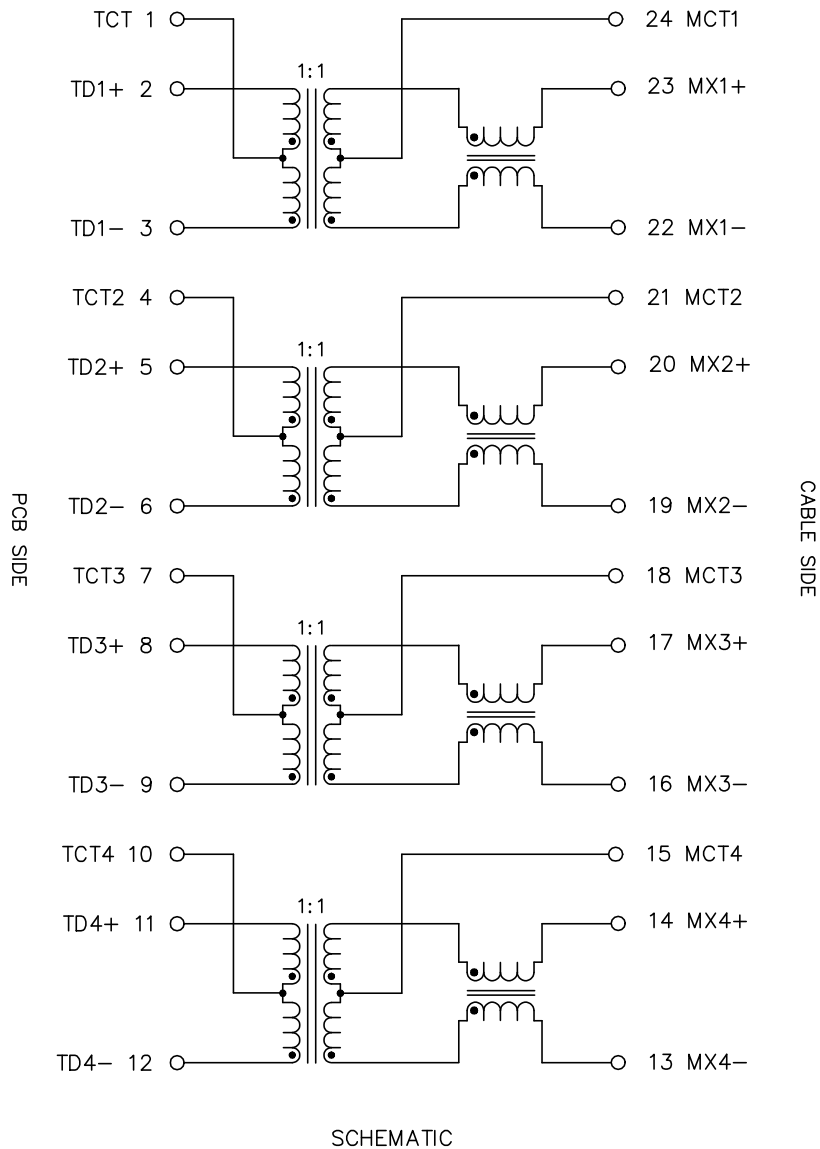
1. ROHS COMPLIANT
2. HEADER: DAP (DIALLYL PHTHALATE) WITH FLAMMABILITY RATING UL 94V-0 OR BETTER.
3. STORAGE TEMPERATURE: -20°C TO +125°C
4. COMPLIANCE TO J-STD:
 - A. J-STD-002: SOLDERABILITY AT 245°C REFLOW PROFILE
 - B. J-STD-020: LEVEL 1, NO MOISTURE SENSITIVE
 - C. J-STD-075: R7, 245°C MAXIMUM THROUGH REFLOW SOLDER
5. TO ORDER TAPE & REEL PACKAGING ADD A "T" SUFFIX TO THE PART NUMBER(i.e H5187NL BECOMES H5187NLT).
6. PACKING SPECIFICATION:
 REEL SIZE: 330 mm
 TAPE WIDTH: 32 mm
 TAPE PITCH: 24mm
 COMPONENTS PER REEL: 200 pcs



FINAL OUTLINE

© Copyright, 2019. Pulse Electronics Corp. All rights reserved. Pulse confidential & proprietary. (01/28/19)

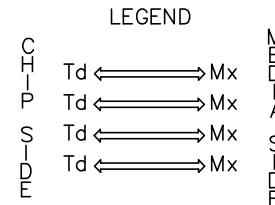
PRODUCT DESCRIPTION	TLA DRAWING	PS DRAWING	SHEET	PART NO.	DATASHEET REV.
MDL,SIN,1GP,1:1,SM,TU	H5187NL-10	PS-2820.001-B	1 OF 4	H5187NL	E



ELECTRICAL CHARACTERISTICS AT +25°C UNLESS OTHER SPECIFIED
(FOR REFERENCE ONLY. USED FOR CUSTOMER INFORMATION.)

PARAMETER	SPECIFICATIONS			
OPERATING TEMP	0°C TO +70°C			
URNS RATIO	1.00 ± 2%			
POLARITY	PER SCHEMATIC			
INSERTION LOSS	1-30 MHz	60 MHz	100 MHz	
	-0.5 dB MAX	-1.0 dB MAX	-2.1 dB MAX	
RETURN LOSS, (Z OUT = 100 OHM)	1-30 MHz	40-50 MHz	60-80 MHz	100 MHz
	-14 dB MIN	-12 dB MIN	-8 dB MIN	-6 dB MIN
INDUCTANCE (OCL) (MEDIA SIDE, 0°C-70°C)	350 uH MIN (MEASURED AT 100 KHz, 100 mVRMS) (AND WITH 8 mA DC BIAS)			
CROSSTALK, ADJACENT CHANNELS	1 MHz	10-100 MHz		
	-50 dB MIN	-55+22*LOG ₁₀ (f/10) dB MIN		
DIFFERENTIAL TO COMMON MODE REJECTION	0.1 MHz	30-200 MHz		
	-50 dB MIN	-43+22*LOG ₁₀ (f/30) dB MIN		
INPUT - OUTPUT ISOLATION	5000 VRMS MIN @ 60 SECONDS			

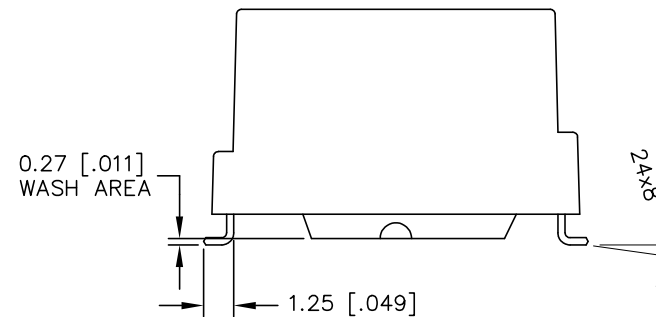
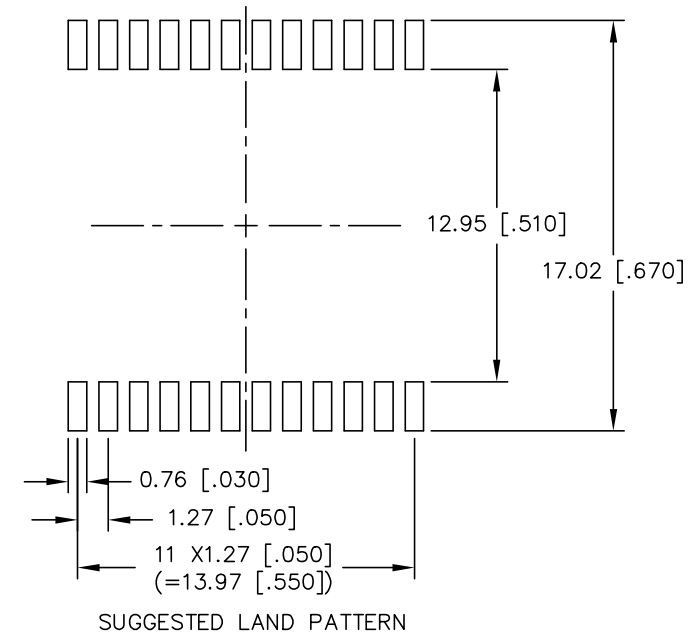
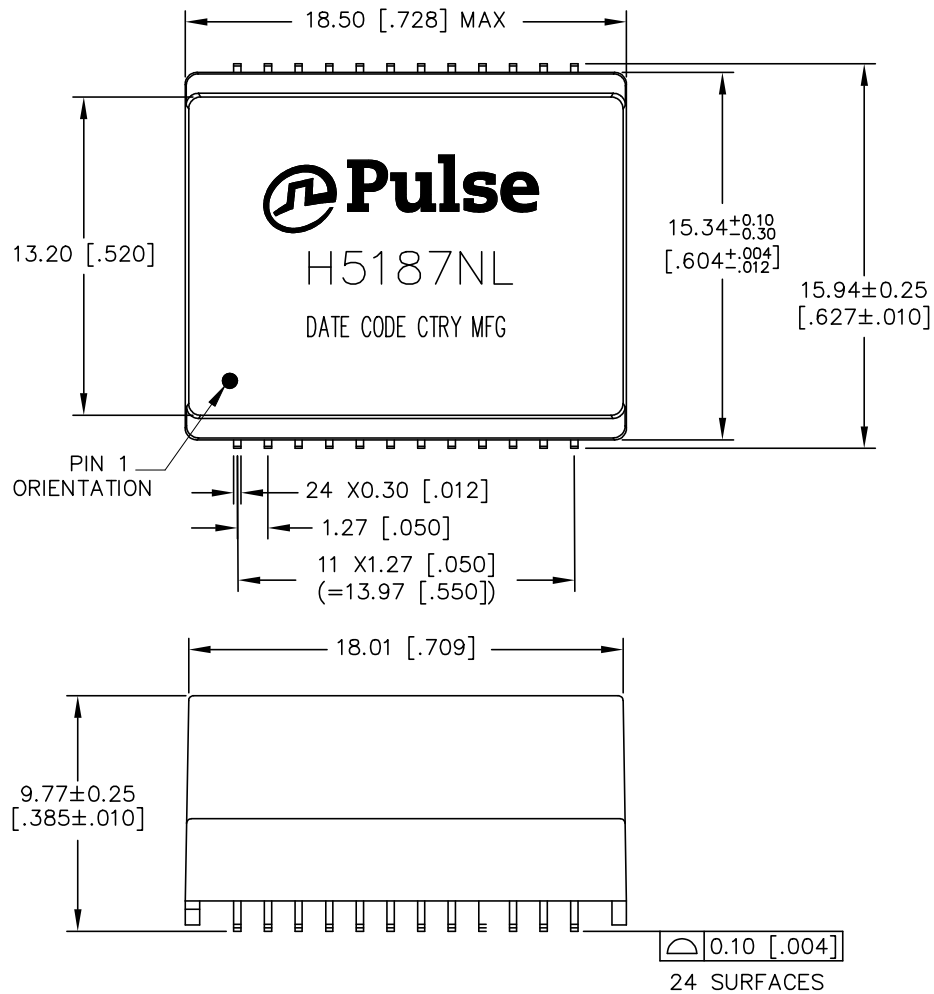
NOTE: f IS FREQUENCY IN MHZ.



ALL CHANNELS ARE
IN PHASE BETWEEN
INPUT AND OUTPUT

© Copyright, 2019. Pulse Electronics Corp. All rights reserved. Pulse confidential & proprietary. (01/28/19)

PRODUCT DESCRIPTION	TLA DRAWING	PS DRAWING	SHEET	PART NO.	DATASHEET REV.
MDL,SIN,1GP,1:1,SM,TU	H5187NL-10	PS-2820.001-B	2 OF 4	H5187NL	E



DIMENSIONS ARE IN MILLIMETERS [INCHS] WITH THE FOLLOWING TOLERANCES: [INCHS] ARE FOR REFERENCE ONLY.
 X.X= ±0.25 [.010]
 X.XX= ±0.15 [.006]

© Copyright, 2019. Pulse Electronics Corp. All rights reserved. Pulse confidential & proprietary. (01/28/19)

PRODUCT DESCRIPTION	TLA DRAWING	PS DRAWING	SHEET	PART NO.	DATASHEET REV.
MDL,SIN,1GP,1:1,SM,TU	H5187NL-10	PS-2820.001-B	3 OF 4	H5187NL	E