

8

7

6

5

4

3

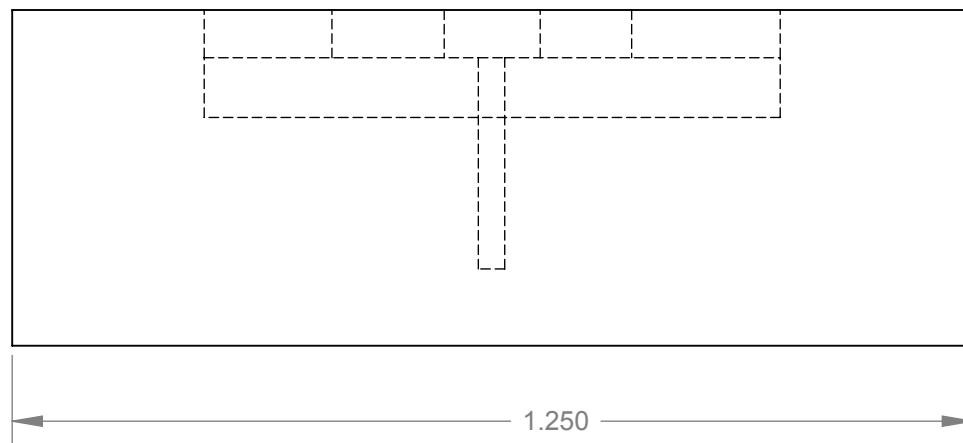
2

1

REVISIONS				
ZONE	REV.	DESCRIPTION	DATE	APPROVED
ALL	A1	ADDED ±.005 TOL. TO .188 DIM.	05/29/80	
	A2	ADDED MATTE FINISH REQUIREMENT TO NOTE 1 & INSPECTION NOTE	09/15/81	

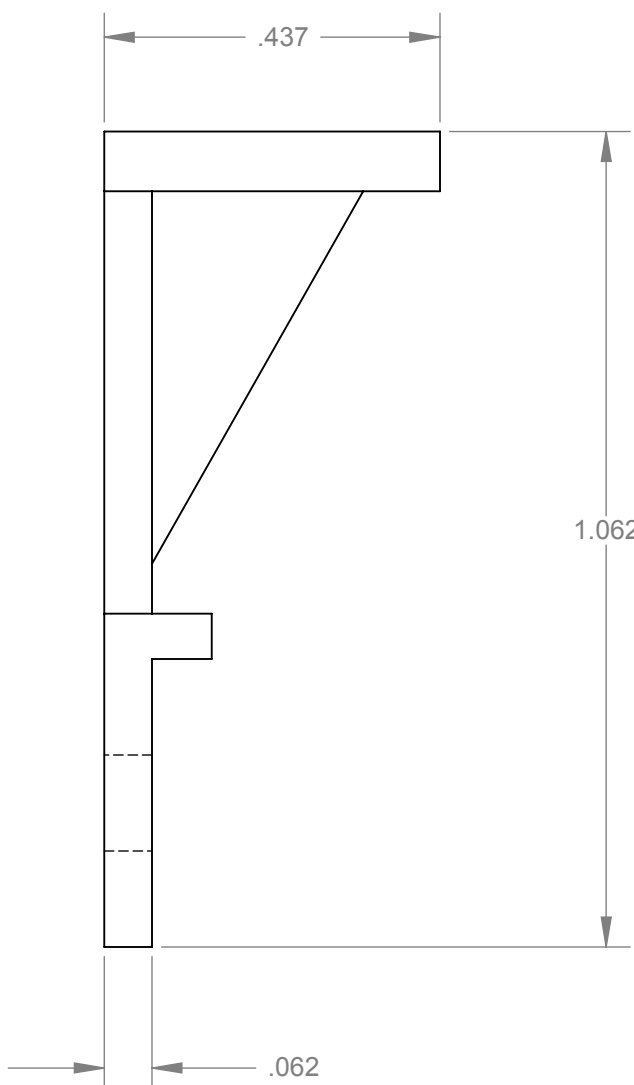
D

D



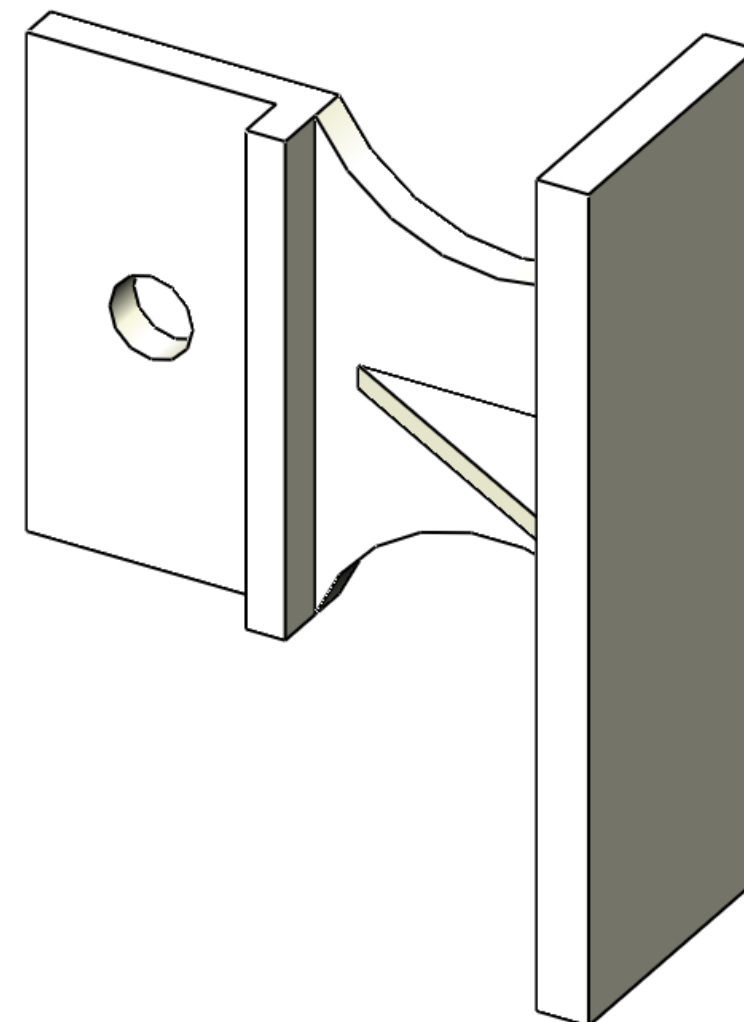
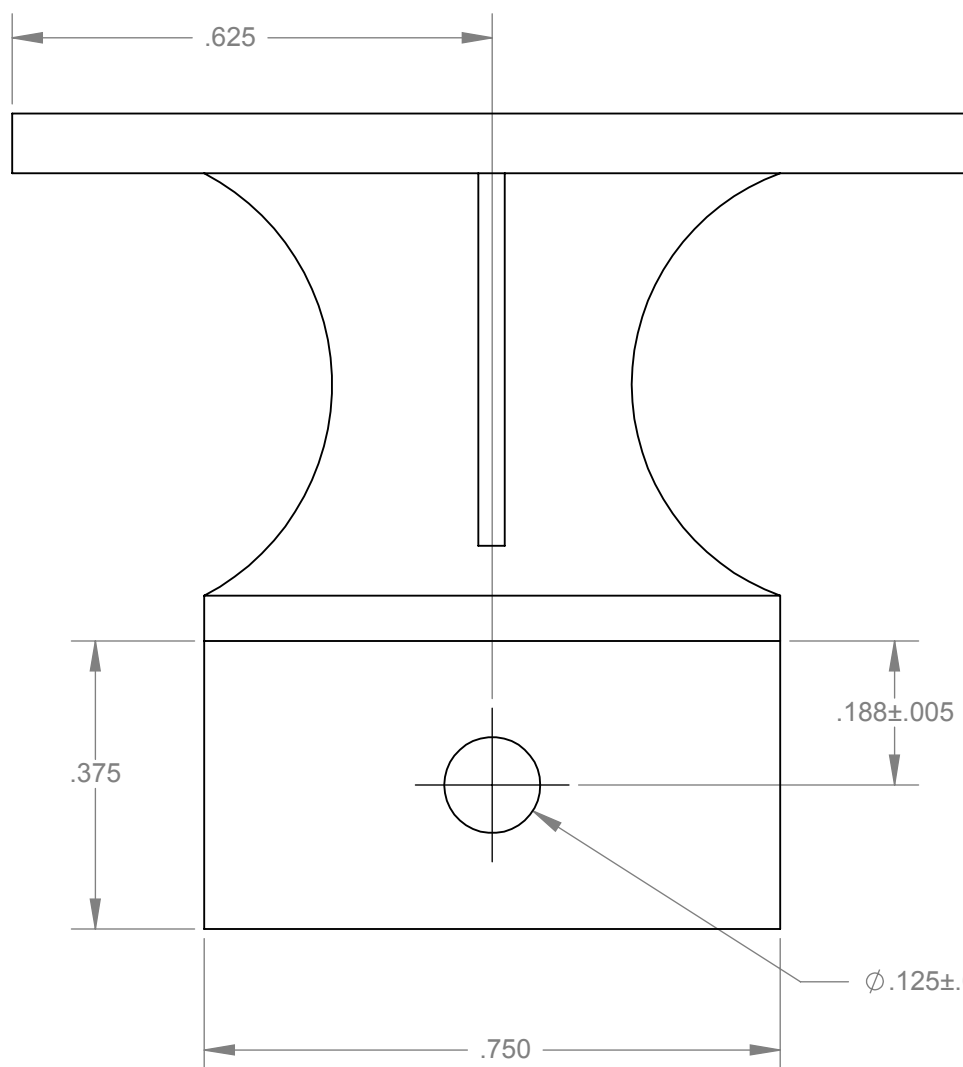
C

C



B

B



A

A

2. HA14 INCLUDES : SCREW (P/N# SC4-5#)
 LOCKWASHER (P/N# W4-1#) & NUT (P/N# NT4-2A#)

1. MAT'L : NYLON (MIL-M-20693A)
 MATTE FINISH REQUIRED ON PRINTING SURFACE

NOTES: UNLESS OTHERWISE SPECIFIED.

1. CHECK PER DRAWING DIM. & NOTES
 CRITICAL INSPECTION NOTES

PROPRIETARY AND CONFIDENTIAL
 THE INFORMATION CONTAINED IN THIS DRAWING IS THE SOLE PROPERTY OF VECTOR ELECTRONICS & TECH., INC. ANY REPRODUCTION IN PART OR AS A WHOLE WITHOUT THE WRITTEN PERMISSION OF VECTOR ELECTRONICS & TECH., INC. IS PROHIBITED.

UNLESS OTHERWISE SPECIFIED:
 DIMENSIONS ARE IN INCHES
 TOLERANCES:
 FRACTIONAL ±
 ANGULAR: ±.5°
 TWO PLACE DECIMAL ±.03
 THREE PLACE DECIMAL ±.010
 INTERPRET GEOMETRIC TOLERANCING PER:
 MATERIAL
 FINISH
 DO NOT SCALE DRAWING

	NAME	DATE
DRAWN	TRUSHAR	06/29/07
CHECKED		
ENG APPR.		
MFG APPR.		
Q.A.		

THIRD ANGLE PROJECTION

VECTOR ELECTRONICS & TECHNOLOGY, INC.		11115 VANOWEN ST., NORTH HOLLYWOOD, CA 91605
HA-14 PULL TYPE EJECTOR HANDLE		
SIZE DWG. NO.	REV	
B MC 6101-B5.1	A2	
SCALE: 4:1	WEIGHT:	SHEET 1 OF 1

8

7

6

5

4

3

2

1