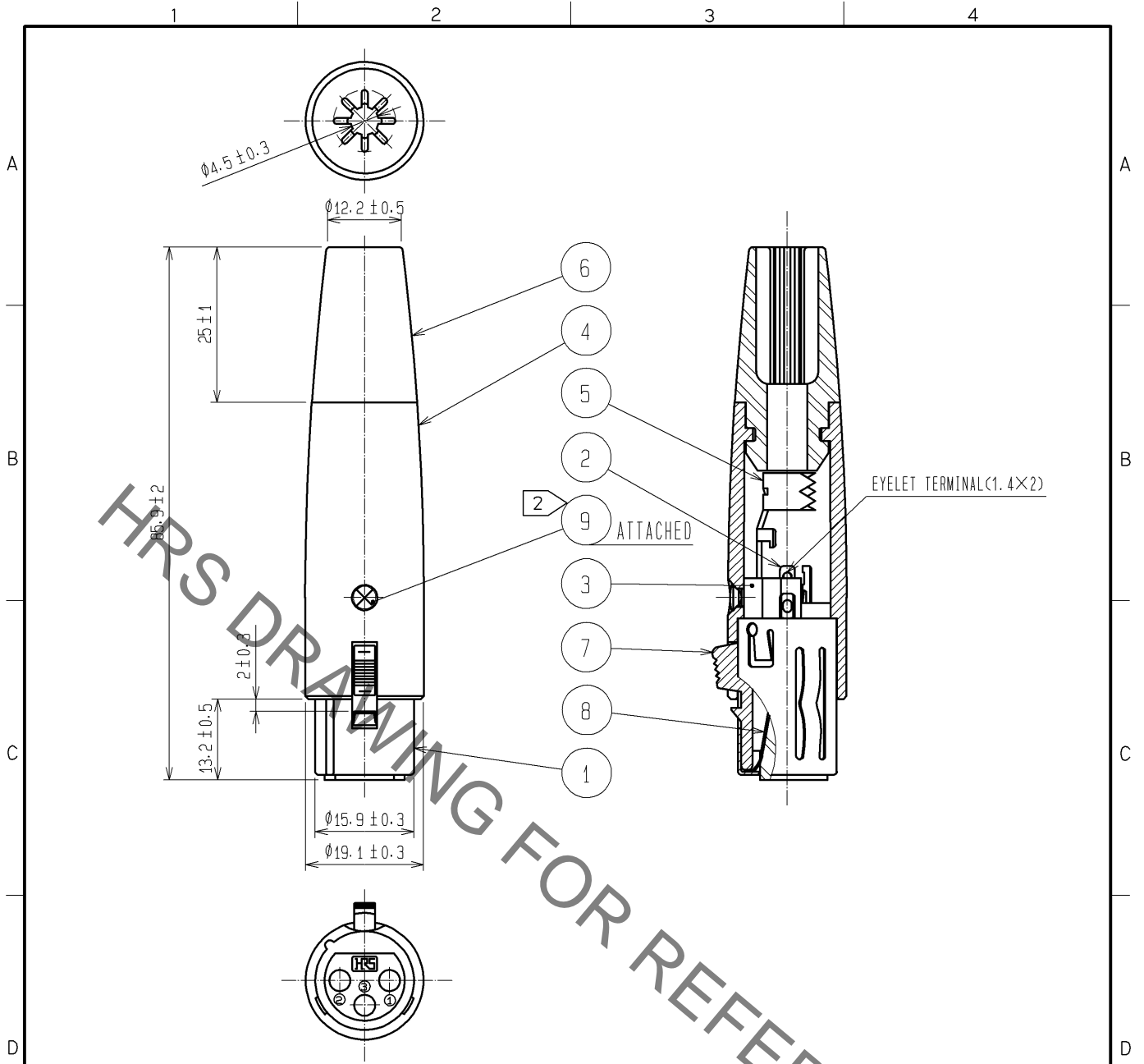


May.1.2021 Copyright 2021 HIROSE ELECTRIC CO., LTD. All Rights Reserved.
 In case of consideration for using Automotive equipment / device which demand high reliability, kindly contact our sales window correspondents.



- NOTES 1 THE COMPONENTS ON REF. NO. ①, ②, ③, ⑤, ⑦, ⑧, AND THE COMPONENTS ON REF. NO. ④, ⑥, ARE ASSEMBLED. THESE TWO COMPONENTS AND REF. NO. ⑨ ARE NOT ASSEMBLED AND DELIVERED BY DISASSEMBLY.
- ② THE RECOMMENDED CLAMP TORQUE OF REF. NO. ⑨ : 0.3 TO 0.4 N · m
- 3 THE CABLE PULL AND TWISTING STRENGTH AND OTHER CHARACTERISTICS MAY DIFFER, DEPENDING ON THE CABLE STRUCTURE. PLEASE CONFIRM BEFORE THE USE.

5	BRASS	TIN PLATING			
4	ZINC ALLOY	MATTE FINISH NICKEL PLATED	9	BRASS	MATTE FINISH NICKEL PLATED JIS B 1111 M2. 6x0.45x8
3	POLYAMIDE	(GRAY)	8	STEEL	BLACK OXIDE TREATMENT
2	PHOSPHOR BRONZE	SILVER PLATING 2 μm min.	7	ZINC ALLOY	MATTE FINISH NICKEL PLATED
1	STAINLESS STEEL		6	POLYVINYLCHLORIDE	(BLACK)
NO.	MATERIAL	FINISH , REMARKS	NO.	MATERIAL	FINISH , REMARKS

UNITS mm	SCALE 1 : 1	COUNT	DESCRIPTION OF REVISIONS	DESIGNED	CHECKED	DATE
HIROSE ELECTRIC CO., LTD.			APPROVED : EJ. KUNII 14. 01. 15 CHECKED : HT. ZENBA 14. 01. 15 DESIGNED : HK. NAMAI 14. 01. 15 DRAWN : HK. NAMAI 14. 01. 15	DRAWING NO. EDC4-008193-71 PART NO. HA16PA-3S(71) CODE NO. CL104-0359-0-71	1/1	