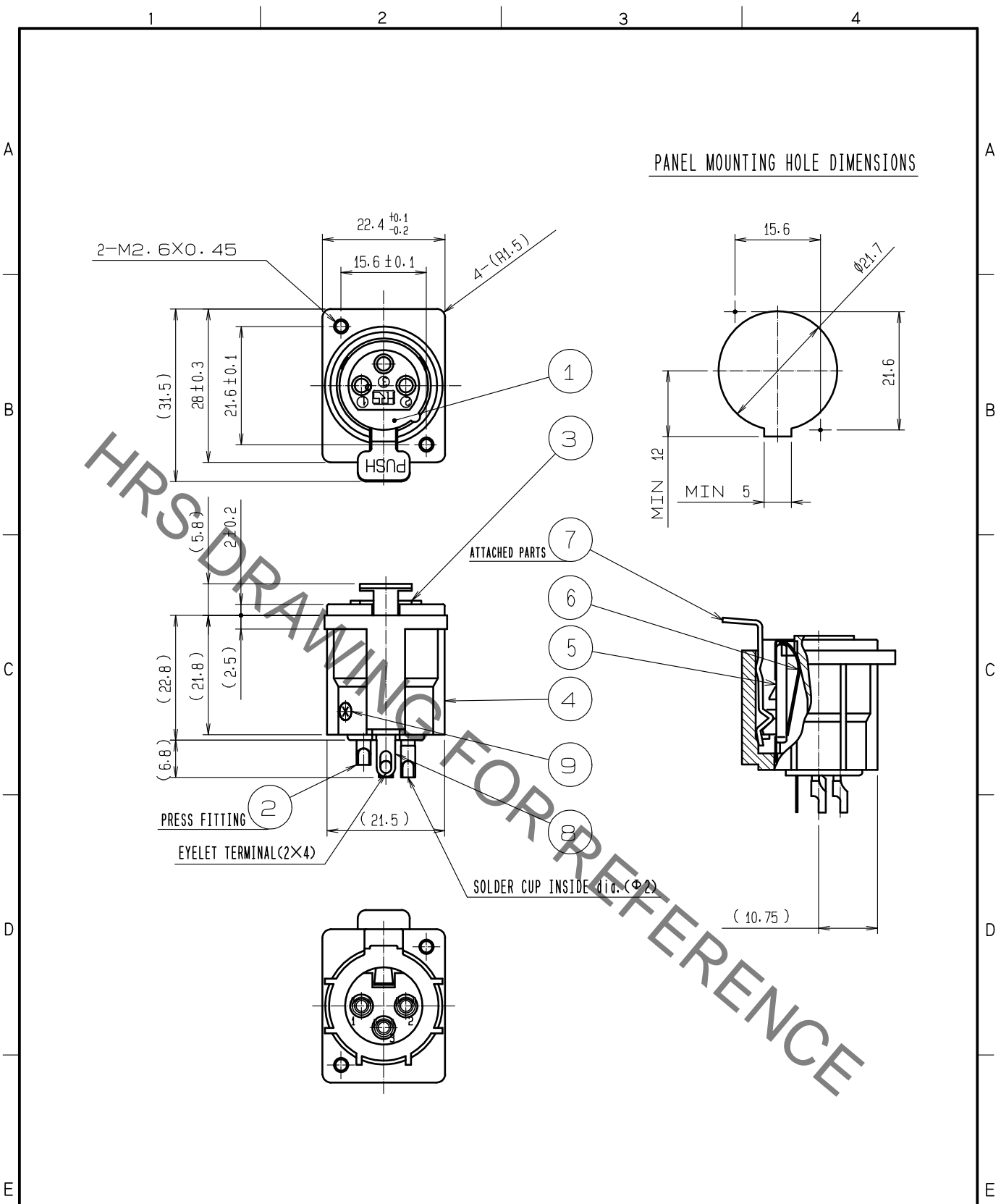


May.1.2021 Copyright 2021 HIROSE ELECTRIC CO., LTD. All Rights Reserved.
 In case of consideration for using Automotive equipment / device which demand high reliability, kindly contact our sales window correspondents.



5	ZINC ALLOY	NICKEL PLATING						
4	ALUMINUM ALLOY	NICKEL PLATING	9	STEEL	NICKEL PLATING			
3	PBT	(BLACK) UL94V-0	8	PHOSPHOR BRONZE	TIN PLATING			
2	COPPER ALLOY	SILVER PLATING 3μm min.	7	IRON	NICKEL PLATING			
1	STAINLESS STEEL		6	STEEL	FELLMIGHT			
NO.	MATERIAL	FINISH . REMARKS	NO.	MATERIAL	FINISH . REMARKS			
UNITS mm		SCALE 1 : 1	COUNT 	DESCRIPTION OF REVISIONS		DESIGNED	CHECKED	DATE
HRS HIROSE ELECTRIC CO., LTD.	APPROVED	•EJ. KUNII	18.06.12	DRAWING NO.	EDC-026857-05-05			
	CHECKED	•EJ. KUNII	18.06.12	PART NO.	HA16PRM-3S(05)			
	DESIGNED	•SY. KONDO	18.06.12	CODE NO.	CL104-0432-9-05			
	DRAWN	•CR. KAMIGA	18.06.12					