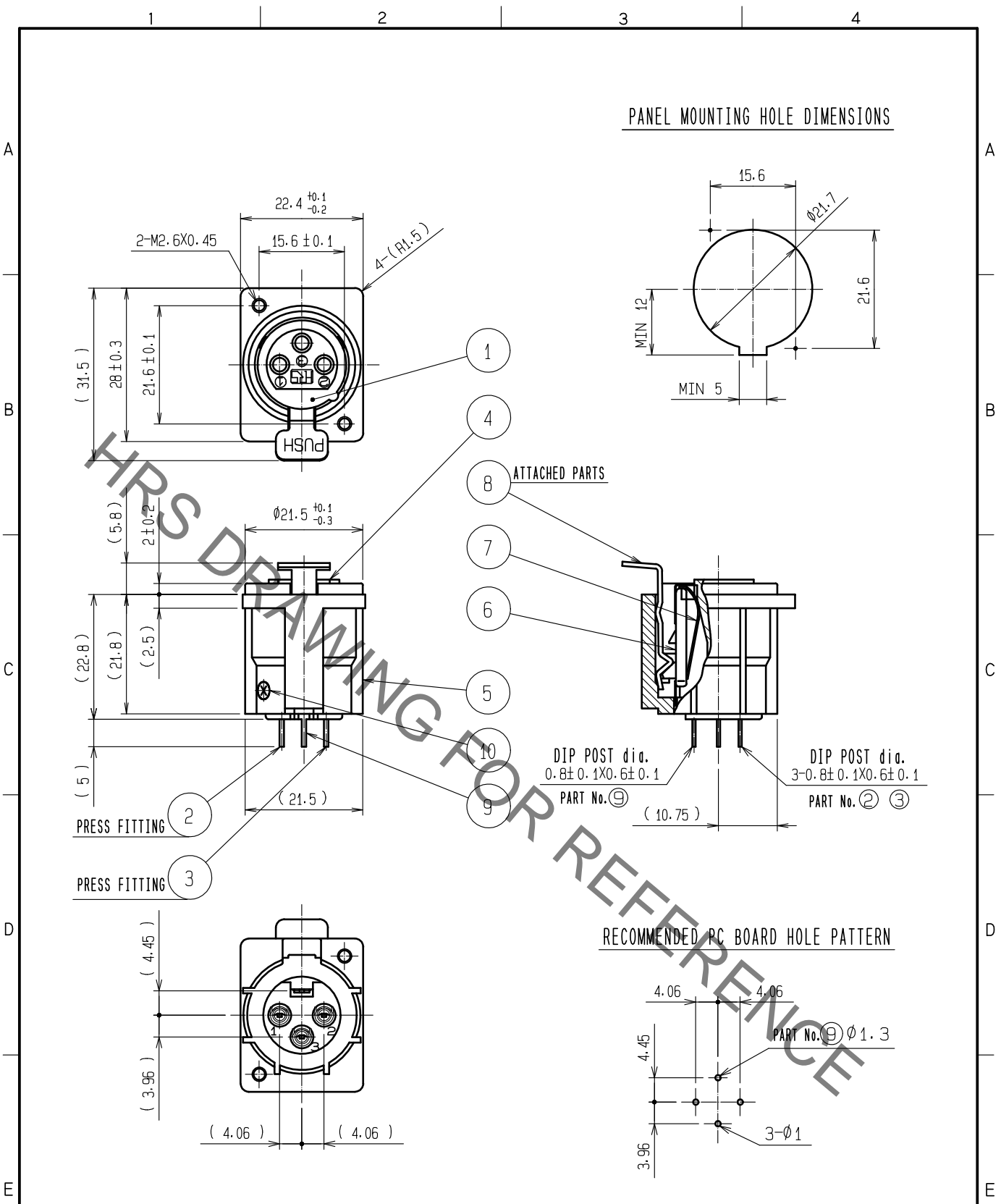


May.1.2021 Copyright 2021 HIROSE ELECTRIC CO., LTD. All Rights Reserved.  
 In case of consideration for using Automotive equipment / device which demand high reliability, kindly contact our sales window correspondents.



6	ZINC ALLOY	NICKEL PLATING			
5	ALUMINUM ALLOY	NICKEL PLATING	10	STEEL	NICKEL PLATING
4	PBT	(BLACK) UL94V-0	9	PHOSPHOR BRONZE	SILVER PLATING
2, 3	COPPER ALLOY	SILVER PLATING 2μm min.	8	IRON	NICKEL PLATING
1	STAINLESS STEEL		7	STEEL	FELLMIGHT
NO.	MATERIAL	FINISH . REMARKS	NO.	MATERIAL	FINISH . REMARKS

UNITS mm		SCALE 1 : 1	COUNT 	DESCRIPTION OF REVISIONS	DESIGNED	CHECKED	DATE
<b>HRS</b> HIROSE ELECTRIC CO., LTD.		APPROVED :EJ. KUNII	18.06.12	DRAWING NO.	EDC-026120-71-71		
		CHECKED :EJ. KUNII	18.06.12	PART NO.	HA16PRM-3SE(71)		
		DESIGNED :SY. KONDO	18.06.12	CODE NO.	CL104-0421-2-71		1/1
		DRAWN :CR. KAMIGA	18.06.12				