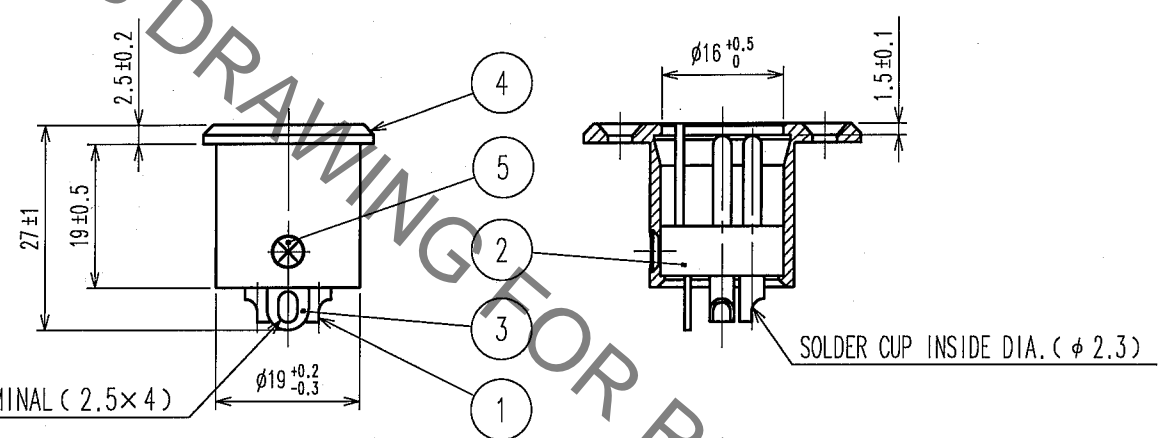
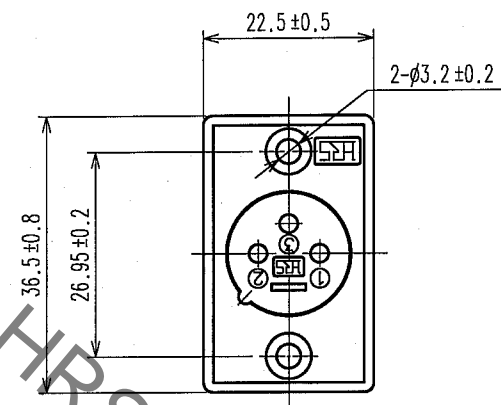


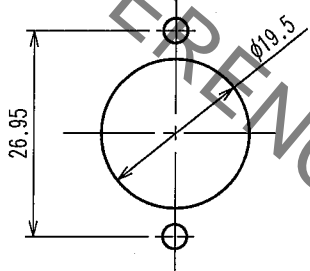
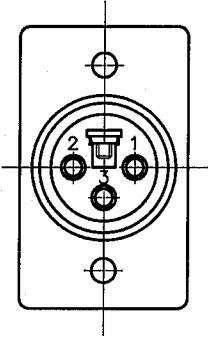
May.1.2021 Copyright 2021 HIROSE ELECTRIC CO., LTD. All Rights Reserved.
 In case of consideration for using Automotive equipment / device which demand high reliability, kindly contact our sales window correspondents.

1		2			3			4		
COUNT	DESCRIPTION OF REVISIONS	BY	CHKD	DATE	COUNT	DESCRIPTION OF REVISIONS	BY	CHKD	DATE	
△					△					
△					△					
△					△					



EYELET TERMINAL (2.5×4)

SOLDER CUP INSIDE DIA. (φ 2.3)



PANEL CUTOUT(REFERENCE)

3	BRASS	SILVER PLATING			
2	POLYAMIDE	(GRAY)	5	BRASS	NICKEL PLATING JIS B 1111 M2.6×0.45×8
1	BRASS	SILVER PLATING 2μm min	4	ALUMINIUM ALLOY	MATTE FINISH NICKEL PLATED
NO.	MATERIAL	FINISH, REMARKS	NO.	MATERIAL	FINISH, REMARKS

CODE NO. (OLD)	CL	DRAWN	DESIGNED	CHECKED	APPROVED	RELEASED
		<i>H. Nagano</i> 05.08.23	<i>H. Nagano</i> 05.08.23	<i>E. Kunii</i> 05.08.23	<i>M. Sato</i> 05.08.23	

 SCALE 1 : 1 UNITS mm	DRAWING NO.	PART NO.
	EDC4-007843-76	HA16R-3P(76)
	 HIROSE ELECTRIC CO.,LTD.	CODE NO. CL104-0349-7-76

