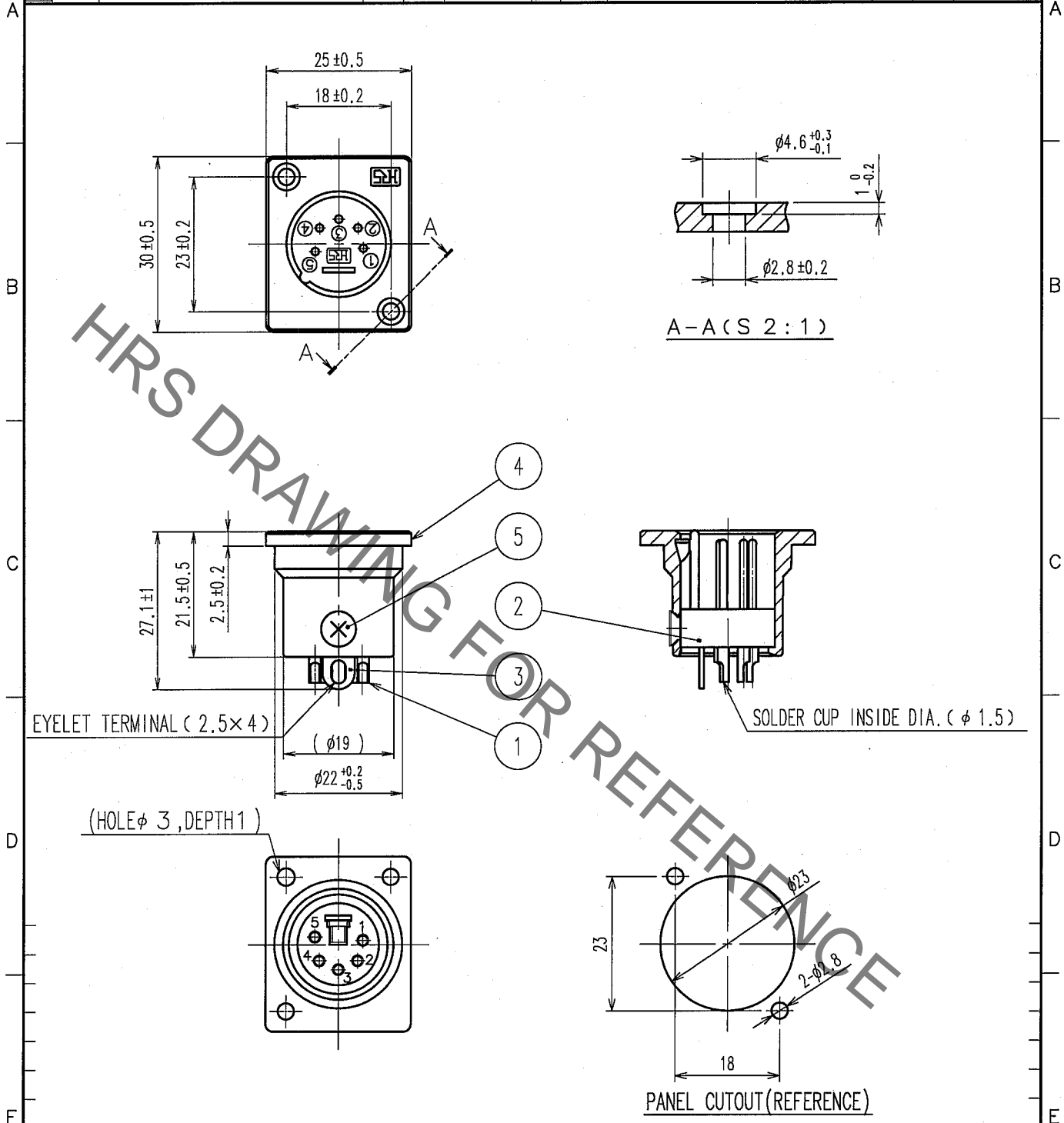


May.1.2021 Copyright 2021 HIROSE ELECTRIC CO., LTD. All Rights Reserved.
In case of consideration for using Automotive equipment / device which demand high reliability, kindly contact our sales window correspondents.

1		2			3			4		
COUNT	DESCRIPTION OF REVISIONS	BY	CHKD	DATE	COUNT	DESCRIPTION OF REVISIONS	BY	CHKD	DATE	
△					△					
△					△					
△					△					



3	BRASS	SILVER PLATING			
2	POLYAMIDE	(GRAY)	5	BRASS	NICKEL PLATING JIS B 1111 M2.6×0.45×8
1	BRASS	SILVER PLATING 2μ m min	4	ALUMINIUM ALLOY	MATTE FINISH NICKEL PLATED
NO.	MATERIAL	FINISH, REMARKS	NO.	MATERIAL	FINISH, REMARKS

CODE NO. (OLD) CL		DRAWN	DESIGNED	CHECKED	APPROVED	RELEASED
		T. HORII	K. Nagano	E. Kuroi	M. Sato	
		05.11.30	05.12.05	05.12.08	05.12.10	

SCALE	DRAWING NO.	PART NO.
1 : 1	EDC4-021765-76	HA16RD-5P(76)
UNITS mm	HRS HIROSE ELECTRIC CO., LTD.	CODE NO. CL104-0399-5-76

TO
R