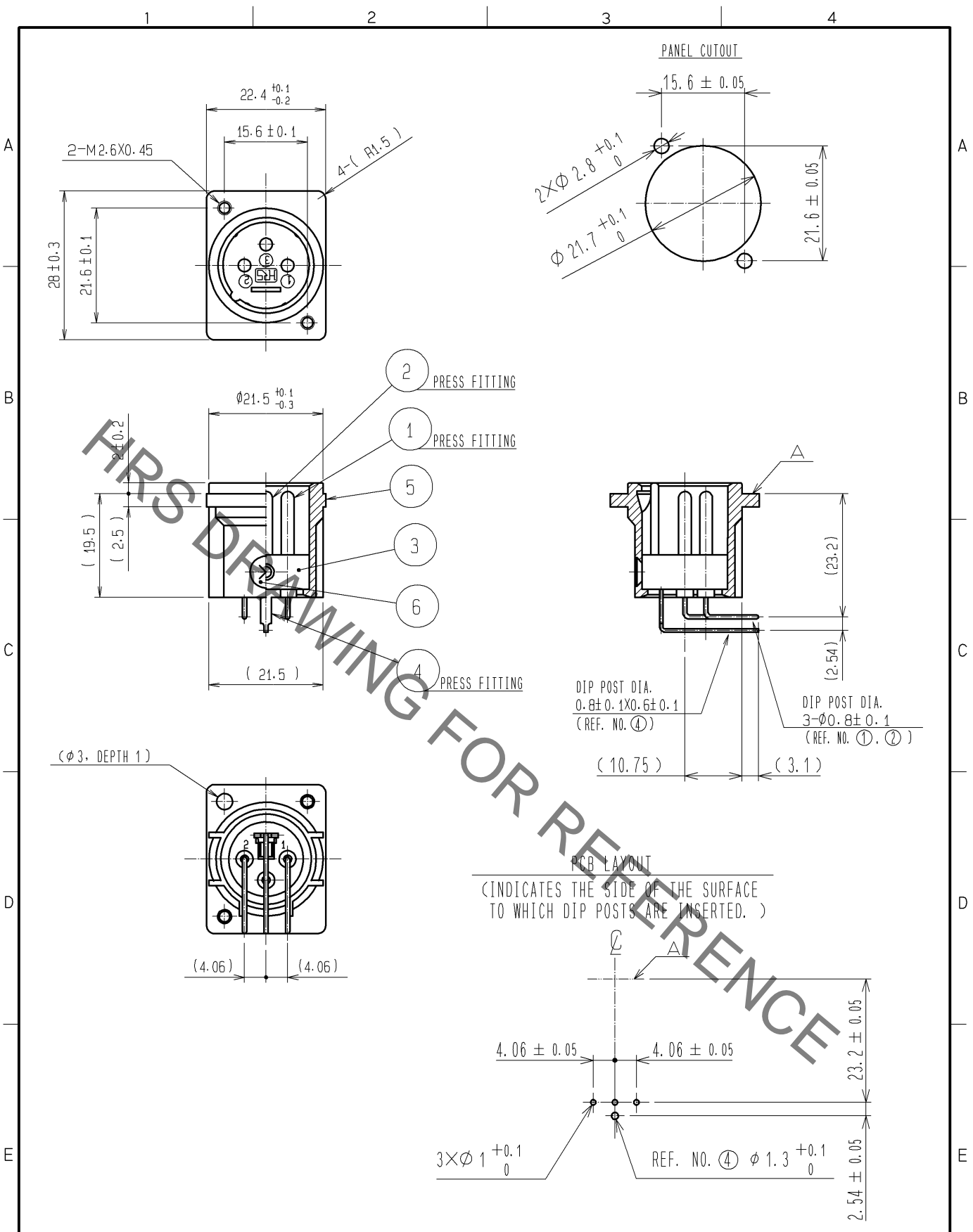


May.1.2021 Copyright 2021 HIROSE ELECTRIC CO., LTD. All Rights Reserved.
 In case of consideration for using Automotive equipment / device which demand high reliability, kindly contact our sales window correspondents.



| 3 | POLYAMIDE | (BLACK) UL94V-0 | 6 | BRASS | NICKEL PLATING |
|-----|-----------|--------------------------|-----|----------------|-----------------|
| 2 | BRASS | SILVER PLATING 2 μm min. | 5 | ALUMINUM ALLOY | NICKEL PLATING |
| 1 | BRASS | SILVER PLATING 2 μm min. | 4 | BRASS | SILVER PLATING |
| NO. | MATERIAL | FINISH, REMARKS | NO. | MATERIAL | FINISH, REMARKS |

| | | | | | | | |
|---------------------------|--|----------------------|------------|--------------------------|-----------------|---------|------|
| UNITS mm | | SCALE 1 : 1 | COUNT | DESCRIPTION OF REVISIONS | DESIGNED | CHECKED | DATE |
| HIROSE ELECTRIC CO., LTD. | | APPROVED : EJ. KUNII | 14. 01. 30 | DRAWING NO. | EDC4-025895-76 | | |
| | | CHECKED : HT. ZENBA | 14. 01. 30 | PART NO. | HA16RM-3PB(76) | | |
| | | DESIGNED : HK. NAMAI | 14. 01. 30 | CODE NO. | CL104-0416-2-76 | | |
| | | DRAWN : HK. NAMAI | 14. 01. 30 | | 1/1 | | |