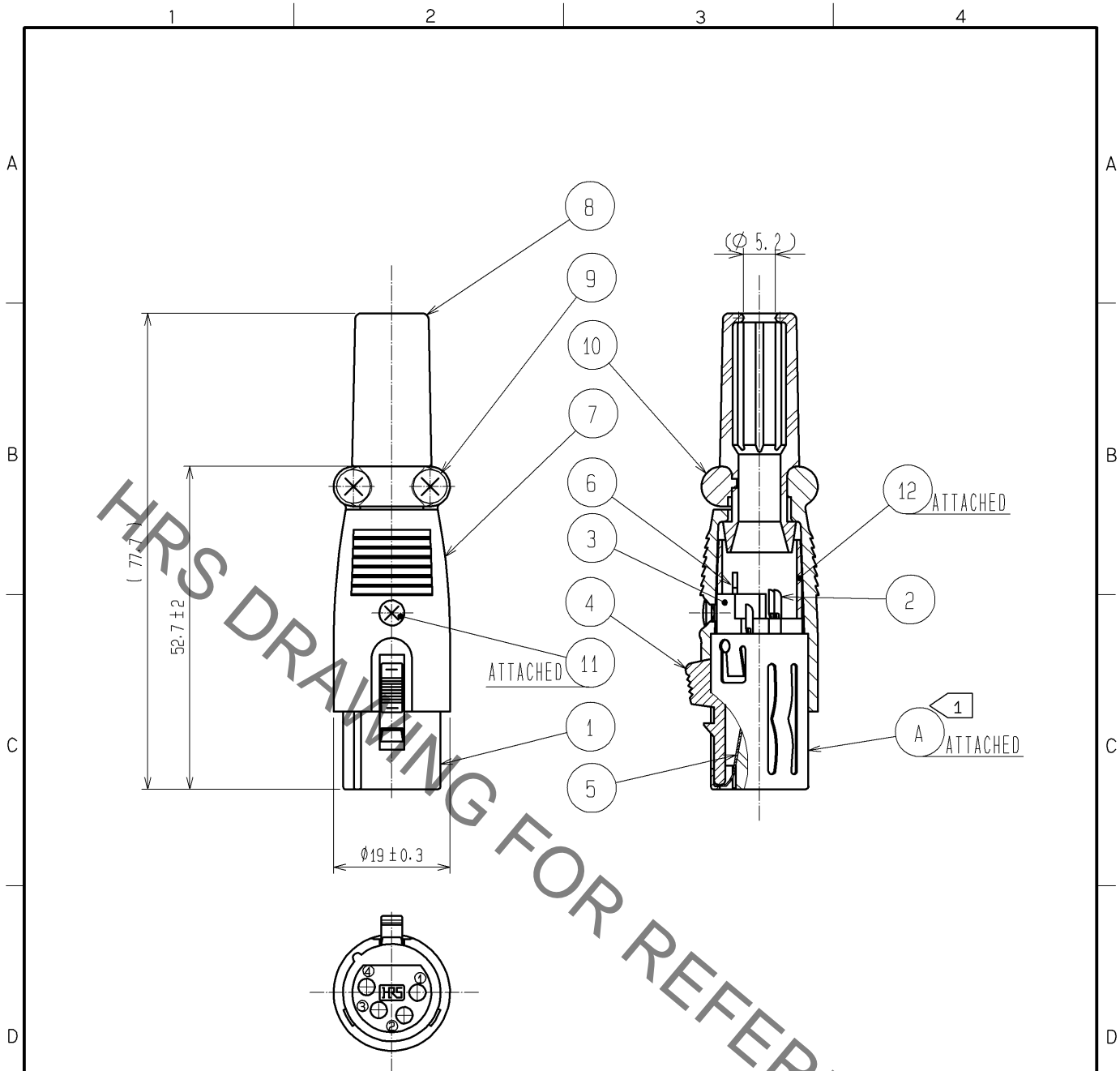


Jun.1.2021 Copyright 2021 HIROSE ELECTRIC CO., LTD. All Rights Reserved.
 In case of consideration for using Automotive equipment / device which demand high reliability, kindly contact our sales window correspondents.



NOTES ① (A) SPECIFIES A BLOCK WHICH REF. NO. ① TO NO. ⑥ ARE INCORPORATED.
 2 THE CABLE PULL AND TWISTING STRENGTH AND OTHER CHARACTERISTICS MAY DIFFER, DEPENDING ON THE CABLE STRUCTURE. PLEASE CONFIRM BEFORE THE USE.

6	BRASS	SILVER PLATING	12	PVC	(BLACK)
5	SPRING STEEL	BLACK OXIDE COATING	11	STEEL	NICKEL PLATING M2.6x0.45x8
4	ZINC ALLOY	MATTE FINISH NICKEL PLATED	10	ZINC ALLOY	MATTE FINISH NICKEL PLATED
3	POLYAMIDE	(GRAY)	9	BRASS	NICKEL PLATING M3x0.5x8
2	PHOSPHOR BRONZE	SILVER PLATING 2μm min.	8	CHLOROPRENE RUBBER	(BLACK)
1	STAINLESS STEEL		7	ZINC ALLOY	MATTE FINISH NICKEL PLATED
NO.	MATERIAL	FINISH . REMARKS	NO.	MATERIAL	FINISH . REMARKS

UNITS mm	SCALE 1 : 1	COUNT	DESCRIPTION OF REVISIONS	DESIGNED	CHECKED	DATE
HIROSE ELECTRIC CO., LTD.	APPROVED : MO. SATOH	09.03.11	DRAWING NO.	EDC4-021269-71		
	CHECKED : TH. KAMEYA	09.03.11	PART NO.	HA216P-4S(71)		
	DESIGNED : HK. NAMAI	09.03.10	CODE NO.	CL104-0702-1-71		
	DRAWN : HK. NAMAI	09.03.10		1/1		