

HCPL-4200

Optically Coupled 20 mA Current Loop Receiver



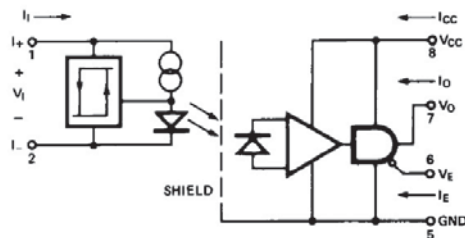
Data Sheet



Description

The HCPL-4200 optocoupler is designed to operate as a receiver in equipment using the 20 mA Current Loop. 20 mA current loop systems conventionally signal a logic high state by transmitting 20 mA of loop current (MARK), and signal a logic low state by allowing no more than a few milliamperes of loop current (SPACE). Optical coupling of the signal from the 20 mA current loop to the logic output breaks ground loops and provides for a very high common mode rejection. The HCPL-4200 aids in the design process by providing guaranteed thresholds for logic high state and logic low state for the current loop, providing an LSTTL, TTL, or CMOS compatible logic interface, and providing guaranteed common mode rejection. The buffer circuit on the current loop side of the HCPL-4200 provides typically 0.8 mA of hysteresis which increases the immunity to common mode and differential mode noise. The buffer also provides a controlled amount of LED drive current which takes into account any LED light output degradation. The internal shield allows a guaranteed 1000 V/ μ s common mode transient immunity.

Functional Diagram



TRUTH TABLE
(POSITIVE LOGIC)*

I_i	V_E	V_O
H	H	Z
L	H	Z
H	L	H
L	L	L

*CURRENT LOOP CONVENTION --
H = MARK: $I_i \geq 12$ mA.
L = SPACE: $I_i \leq 3$ mA,
Z = OFF (HIGH IMPEDANCE) STATE.

Features

- Data output compatible with LSTTL, TTL and CMOS
- 20 K Baud data rate at 1400 metres line length
- Guaranteed On and Off thresholds
- LED is protected from excess current
- Input threshold hysteresis
- Three-state output compatible with data buses
- Internal shield for high Common Mode Rejection
- Safety approval
UL recognized -3750 V rms, for 1 minute
CSA approved
- Optically coupled 20 mA current loop transmitter, HCPL-4100, also available

Applications

- Isolated 20 mA current
- Loop receiver in:
 - Computer peripherals
 - Industrial control equipment
 - Data communications equipment

A 0.1 μ F bypass capacitor connected between pins 8 and 5 is recommended.

CAUTION: It is advised that normal static precautions be taken in handling and assembly of this component to prevent damage and/or degradation which may be induced by ESD.

Ordering Information

HCPL-4200 is UL Recognized with 3750 Vrms for 1 minute per UL1577.

Part number	Option		Package	Surface Mount	Gull Wing	Tape & Reel	Quantity
	RoHS Compliant	Non-RoHS Compliant					
HCPL-4200	-000E	No option	300 mil DIP-8				50 per tube
	-300E	#300		X	X		50 per tube
	-500E	#500		X	X	X	1000 per reel

To order, choose a part number from the part number column and combine with the desired option from the option column to form an order entry.

Example 1:

HCPL-4200-500E to order product of Gull Wing Surface Mount package in Tape and Reel packaging in RoHS compliant.

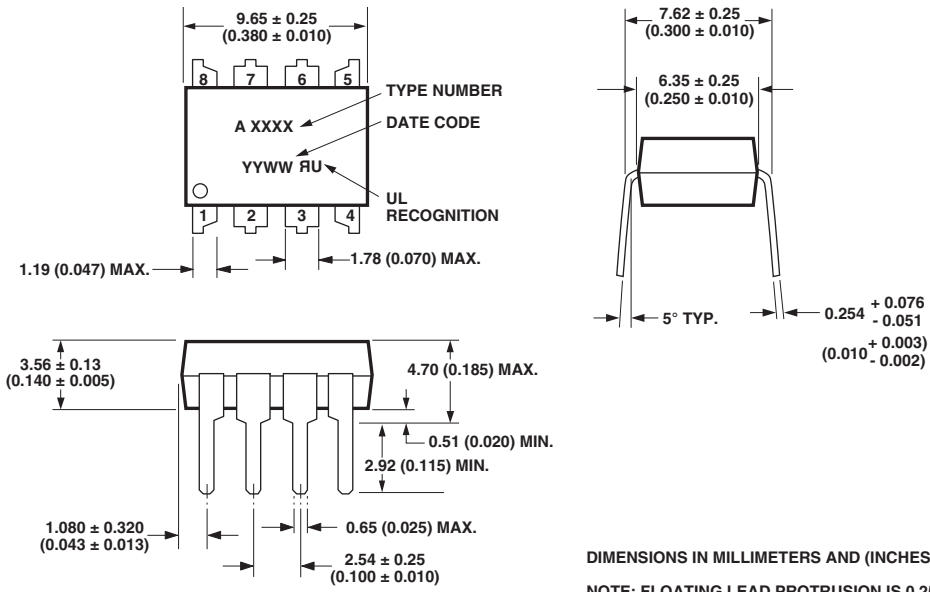
Example 2:

HCPL-4200 to order product of 300 mil DIP package in tube packaging and non-RoHS compliant.

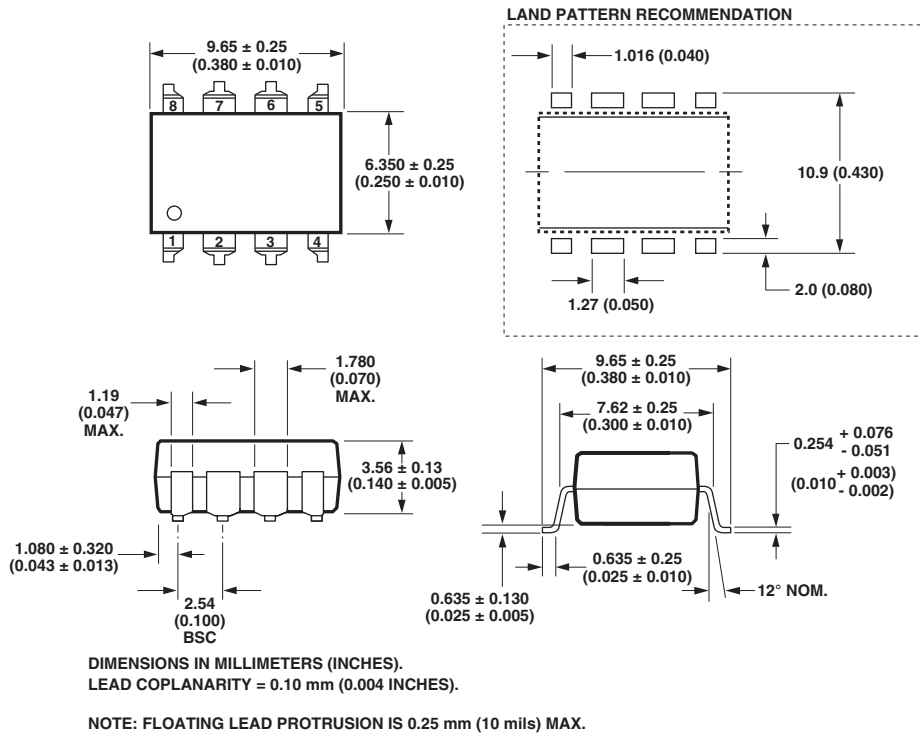
Option datasheets are available. Contact your Avago sales representative or authorized distributor for information.

Remarks: The notation '#XXX' is used for existing products, while (new) products launched since 15th July 2001 and RoHS compliant option will use '-XXxE'.

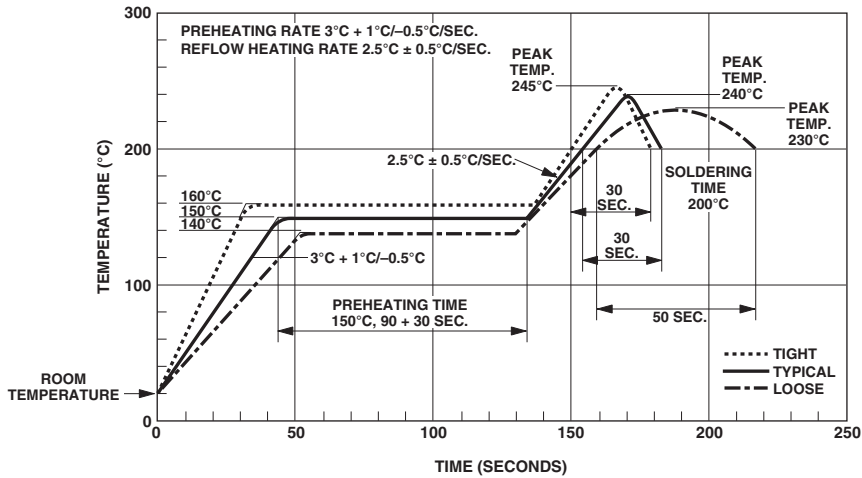
Package Outline Drawings – 8 Pin DIP Package (HCPL-4200)



8 Pin DIP Package with Gull Wing Surface Mount Option 300 (HCPL-4200)



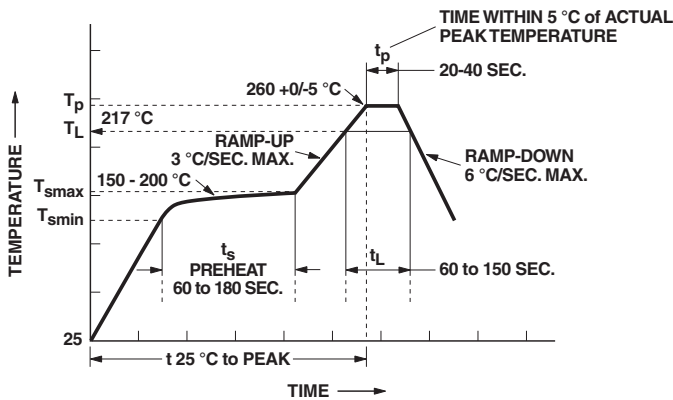
Solder Reflow Thermal Profile



Note: Non-halide flux should be used.

Figure 1a. Solder Reflow Thermal Profile.

Recommended Pb-Free IR Profile



NOTES:
 THE TIME FROM 25 °C TO PEAK TEMPERATURE = 8 MINUTES MAX.
 $T_{smax} = 200^{\circ}\text{C}$, $T_{smin} = 150^{\circ}\text{C}$

Note: Non-halide flux should be used.

Figure 1b. Pb-Free IR Profile.

Regulatory Information

The HCPL-4200 has been approved by the following organizations:

UL

Recognized under UL 1577, Component Recognition Program, File E55361.

CSA

Approved under CSA Component Acceptance Notice #5, File CA 88324.

Insulation and Safety Related Specifications

Parameter	Symbol	Value	Units	Conditions
Min. External Air Gap (External Clearance)	L(IO1)	7.1	mm	Measured from input terminals to output terminals, shortest distance through air
Min. External Tracking Path (External Creepage)	L(IO2)	7.4	mm	Measured from input terminals to output terminals, shortest distance path along body
Min. Internal Plastic Gap (Internal Clearance)		0.08	mm	Through insulation distance, conductor to conductor, usually the direct distance between the photoemitter and photodetector inside the optocoupler cavity
Tracking Resistance (Comparative Tracking Index)	CTI	200	volts	DIN IEC 112/VDE 0303 PART 1
Isolation Group		IIIa		Material Group (DIN VDE 0110, 1/89, Table 1)

Option 300 – surface mount classification is Class A in accordance with CECC 00802.

Absolute Maximum Ratings

(No Derating Required up to 70°C)

Storage Temperature	-55°C to +125°C
Operating Temperature	-40°C to +85°C
Lead Solder Temperature	260°C for 10 s (1.6 mm below seating plane)
Supply Voltage – V_{CC}	0 V to 20 V
Average Input Current - I_I	-30 mA to 30 mA
Peak Transient Input Current - I_{I1}	0.5 A ^[1]
Enable Input Voltage – V_E	-0.5 V to 20 V
Output Voltage – V_O	-0.5 V to 20 V
Average Output Current – I_O	25 mA
Input Power Dissipation – P_I	90 mW ^[2]
Output Power Dissipation – P_O	210 mW ^[3]
Total Power Dissipation – P	255 mW ^[4]
Infrared and Vapor Phase Reflow Temperature (Option #300)	see Fig. 1, Thermal Profile

Recommended Operating Conditions

Parameter	Symbol	Min.	Max.	Units
Power Supply Voltage	V_{CC}	4.5	20	Volts
Forward Input Current (SPACE)	I_{SI}	0	2.0	mA
Forward Input Current (MARK)	I_{MI}	14	24	mA
Operating Temperature	T_A	0	70	°C
Fan Out	N	0	4	TTL Loads
Logic Low Enable Voltage	V_{EL}	0	0.8	Volts
Logic High Enable Voltage	V_{EH}	2.0	20	Volts

DC Electrical Specifications

For $0^{\circ}\text{C} \leq T_A \leq 70^{\circ}\text{C}$, $4.5\text{ V} \leq V_{CC} \leq 20\text{ V}$, $V_E = 0.8\text{ V}$, all typicals at $T_A = 25^{\circ}\text{C}$ and $V_{CC} = 5\text{ V}$ unless otherwise noted. See note 13.

Parameter	Symbol	Min.	Typ.	Max.	Units	Test Conditions	Fig.	Note
Mark State Input Current	I_{MI}	12			mA		2, 3, 4	
Mark State Input Voltage	V_{MI}		2.52	2.75	Volts	$I_I = 20\text{ mA}$ $V_E = \text{Don't Care}$	4, 5	
Space State Input Current	I_{SI}			3	mA		2, 3, 4	
Space State Input Voltage	V_{SI}		1.6	2.2	Volts	$I_I = 0.5\text{ to }2.0\text{ mA}$ $V_E = \text{Don't Care}$	2, 4	
Input Hysteresis Current	I_{HYS}	0.3	0.8		mA		2	
Logic Low Output Voltage	V_{OL}			0.5	Volts	$I_{OL} = 6.4\text{ mA}$ (4 TTL Loads) $I_I = 3\text{ mA}$	6	
Logic High Output Voltage	V_{OH}	2.4			Volts	$I_{OH} = -2.6\text{ mA}$, $I_I = 12\text{ mA}$	7	
Output Leakage Current ($V_{OUT} > V_{CC}$)	I_{OHH}			100	μA	$V_O = 5.5\text{ V}$ $V_O = 20\text{ V}$	$I_I = 20\text{ mA}$ $V_{CC} = 4.5\text{ V}$	
Logic High Enable Voltage	V_{EH}	2.0			Volts			
Logic Low Enable Voltage	V_{EL}			0.8	Volts			
Logic High Enable Current	I_{EH}			20	μA	$V_E = 2.7\text{ V}$		
				100	μA	$V_E = 5.5\text{ V}$		
			0.004	250	μA	$V_E = 20\text{ V}$		
Logic Low Enable Current	I_{EL}			-0.32	mA	$V_E = 0.4\text{ V}$		
Logic Low Supply Current	I_{CCL}		4.5	6.0	mA	$V_{CC} = 5.5\text{ V}$ $V_{CC} = 20\text{ V}$	$I_I = 0\text{ mA}$ $V_E = \text{Don't Care}$	
Logic High Supply Current	I_{CCH}		2.7	4.5	mA	$V_{CC} = 5.5\text{ V}$ $V_{CC} = 20\text{ V}$	$I_I = 20\text{ mA}$ $V_E = \text{Don't Care}$	
High Impedance State Output Current	I_{OZL} I_{OZH}			-20	μA	$V_O = 0.4\text{ V}$ $V_O = 2.4\text{ V}$	$V_F = 2\text{ V}$, $I_I = 20\text{ mA}$	
				100	μA	$V_O = 5.5\text{ V}$		
				500	μA	$V_O = 20\text{ V}$		
Logic Low Short Circuit Output Current	I_{OSL}	25			mA	$V_O = V_{CC} = 5.5\text{ V}$ $V_O = V_{CC} = 20\text{ V}$	$I_I = 0\text{ mA}$	5
Logic High Short Circuit Output Current	I_{OSH}	-10			mA	$V_{CC} = 5.5\text{ V}$ $V_{CC} = 20\text{ V}$	$I_I = 20\text{ mA}$ $V_O = \text{GND}$	5
Input Capacitance	C_{IN}		120		pF	$f = 1\text{ MHz}$, $V_I = 0\text{ V dc}$, Pins 1 and 2		

Switching Specifications

For $0^{\circ}\text{C} \leq T_A \leq 70^{\circ}\text{C}$, $4.5\text{ V} \leq V_{CC} \leq 20\text{ V}$, $V_E = 0.8\text{ V}$, all typicals at $T_A = 25^{\circ}\text{C}$ and $V_{CC} = 5\text{ V}$ unless otherwise noted. See note 13.

Parameter	Symbol	Min.	Typ.	Max.	Units	Test Conditions	Fig.	Note
Propagation Delay Time to Logic High Output Level	t_{PLH}		0.23	1.6	μs	$V_E = 0\text{ V}$, $C_L = 15\text{ pF}$	8, 9, 10	7
Propagation Delay Time to Logic Low Output Level	t_{PHL}		0.17	1.0	μs	$V_E = 0\text{ V}$, $C_L = 15\text{ pF}$	8, 9, 10	8
Propagation Delay Time Skew	$t_{PLH} - t_{PHL}$		60		ns	$I_I = 20\text{ mA}$, $C_L = 15\text{ pF}$	8, 9, 10	
Output Enable Time to Logic Low Level	t_{PZL}		25		ns	$I_I = 0\text{ mA}$, $C_L = 15\text{ pF}$	12, 13, 15	
Output Enable Time to Logic High Level	t_{PZH}		28		ns	$I_I = 20\text{ mA}$, $C_L = 15\text{ pF}$	12, 13, 14	
Output Disable Time to Logic Low Level	t_{PLZ}		60		ns	$I_I = 0\text{ mA}$, $C_L = 15\text{ pF}$	12, 13, 15	
Output Disable Time to Logic High Level	t_{PHZ}		105		ns	$I_I = 20\text{ mA}$, $C_L = 15\text{ pF}$	12, 13, 14	
Output Rise Time (10-90%)	t_r		55		ns	$V_{CC} = 5\text{ V}$, $C_L = 15\text{ pF}$	8, 9, 11	9
Output Fall Time (90-10%)	t_f		15		ns	$V_{CC} = 5\text{ V}$, $C_L = 15\text{ pF}$	8, 9, 11	10
Common Mode Transient Immunity at Logic High Output Level	$ CM_H $	1,000	10,000		V/ μs	$V_{CM} = 50\text{ V (peak)}$ $I_I = 12\text{ mA}$, $T_A = 25^{\circ}\text{C}$	16	11
Common Mode Transient Immunity at Logic Low Output Level	$ CM_L $	1,000	10,000		V/ μs	$V_{CM} = 50\text{ V (peak)}$ $I_I = 3\text{ mA}$, $T_A = 25^{\circ}\text{C}$	16	12

Package Characteristics

For $0^{\circ}\text{C} \leq T_A \leq 70^{\circ}\text{C}$, unless otherwise specified. All typicals at $T_A = 25^{\circ}\text{C}$.

Parameter	Symbol	Min.	Typ.	Max.	Units	Test Conditions	Fig.	Notes
Input-Output Momentary Withstand Voltage*	V_{ISO}	3750			V rms	$RH \leq 50\%$, $t = 1\text{ min}$, $T_A = 25^{\circ}\text{C}$		6, 14
Resistance, Input-Output	R_{I-O}		10^{12}		ohms	$V_{I-O} = 500\text{ V dc}$		6
Capacitance, Input-Output	C_{I-O}		1.0		pF	$f = 1\text{ MHz}$, $V_{I-O} = 0\text{ V}$		6

*The Input-Output Momentary Withstand Voltage is a dielectric voltage rating that should not be interpreted as an input-output continuous voltage rating. For the continuous voltage rating refer to the IEC/EN/DIN EN 60747-5-2 Insulation Characteristics Table (if applicable), your equipment level safety specification, or Avago Application Note 1074, "Optocoupler Input-Output Endurance Voltage."

Notes:

1. $\leq 1 \mu\text{s}$ pulse width, 300 pps.
2. Derate linearly above 70°C free air temperature at a rate of 1.6 mW/°C. Proper application of the derating factors will prevent IC junction temperatures from exceeding 125°C for ambient temperatures up to 85°C.
3. Derate linearly above 70°C free air temperature at a rate of 3.8 mW/°C.
4. Derate linearly above 70°C free air temperature at a rate of 4.6 mW/°C.
5. Duration of output short circuit time shall not exceed 10 ms.
6. The device is considered a two terminal device, pins 1, 2, 3, and 4 are connected together and pins 5, 6, 7, and 8 are connected together.
7. The t_{PLH} propagation delay is measured from the 10 mA level on the leading edge of the input pulse to the 1.3 V level on the leading edge of the output pulse.
8. The t_{PHL} propagation delay is measured from the 10 mA level on the trailing edge of the input pulse to the 1.3 V level on the trailing edge of the output pulse.
9. The rise time, t_r , is measured from the 10% to the 90% level on the rising edge of the output logic pulse.
10. The fall time, t_f , is measured from the 90% to the 10% level on the falling edge of the output logic pulse.
11. Common mode transient immunity in the logic high level is the maximum (negative) dV_{CM}/dt on the trailing edge of the common mode pulse, V_{CM} which can be sustained with the output voltage in the logic high state (i.e., $V_O \geq 2 \text{ V}$).
12. Common mode transient immunity in the logic low level is the maximum (positive) dV_{CM}/dt on the leading edge of the common mode pulse, V_{CM} which can be sustained with the output voltage in the logic low state (i.e., $V_O \leq 0.8 \text{ V}$).
13. Use of a 0.1 μF bypass capacitor connected between pins 5 and 8 is recommended.
14. In accordance with UL 1577, each optocoupler momentary withstand is proof tested by applying an insulation test voltage $\geq 4500 \text{ V rms}$ for 1 second (leakage detection current limit, $I_{F0} \leq 5 \mu\text{A}$).

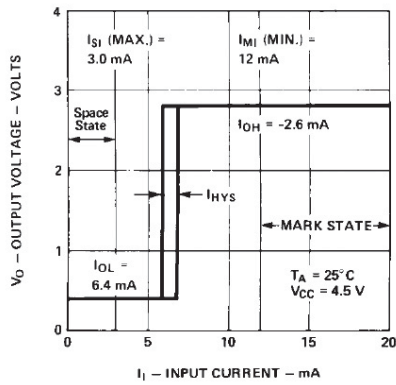


Figure 2. Typical Output Voltage vs. Loop Current.

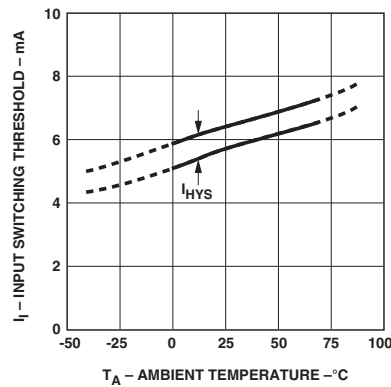


Figure 3. Typical Current Switching Threshold vs. Temperature.

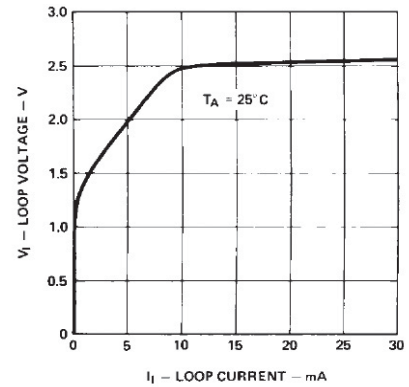


Figure 4. Typical Input Loop Voltage vs. Input Current.

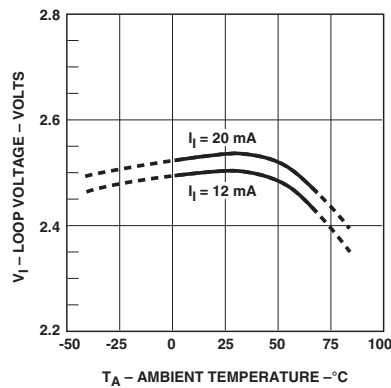


Figure 5. Typical Input Voltage vs. Temperature.

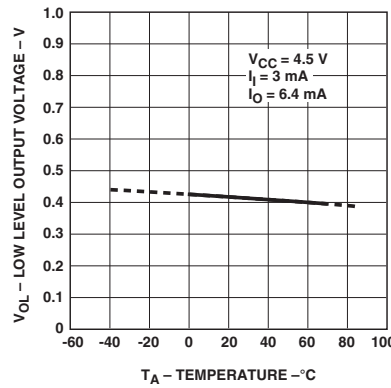


Figure 6. Typical Logic Low Output Voltage vs. Temperature.

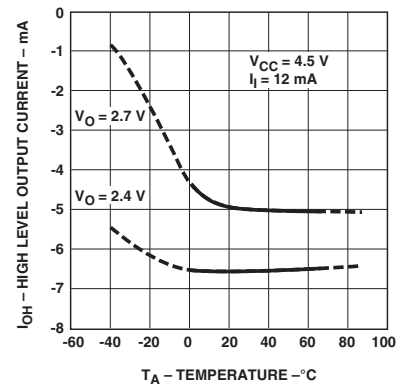
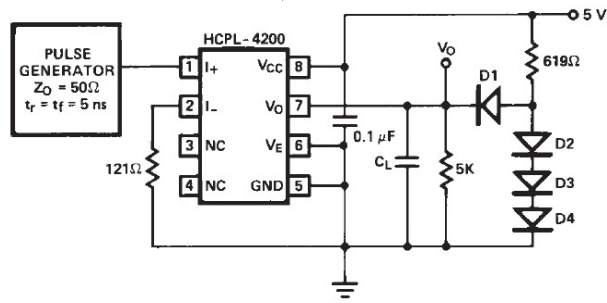


Figure 7. Typical Logic High Output Current vs. Temperature.



$V_{IN} = 5$ VOLT, 100 KHz 10% DUTY CYCLE
 $Z_0 = 50 \Omega$
 $t_r = t_f = 5$ ns
 D1 - D4 ARE 1N916 OR 1N3064
 $C_L = 15$ pF INCLUDING PROBE AND JIG CAPACITANCE

Figure 8. Test Circuit for t_{PHL} , t_{PLH} , t_r and t_f .

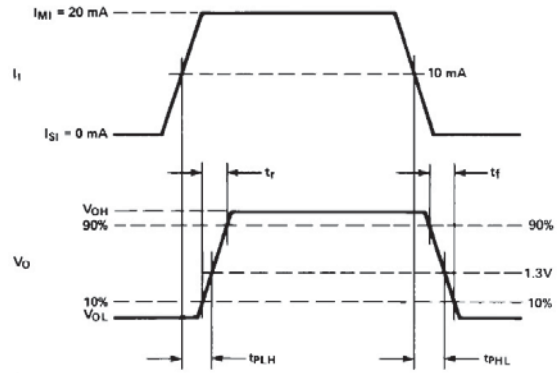


Figure 9. Waveforms for t_{PHL} , t_{PLH} , t_r and t_f .

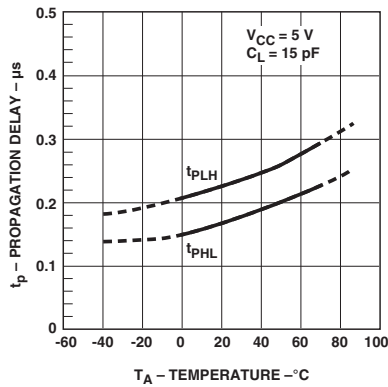


Figure 10. Typical Propagation Delay vs. Temperature.

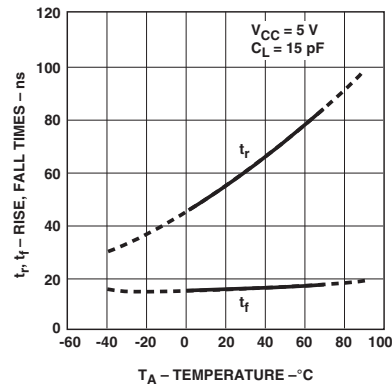


Figure 11. Typical Rise, Fall Time vs. Temperature.

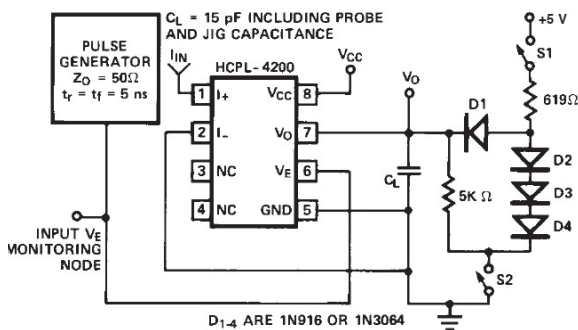


Figure 12. Test Circuit for t_{PZH} , t_{PZL} , t_{PHZ} and t_{PLZ} .

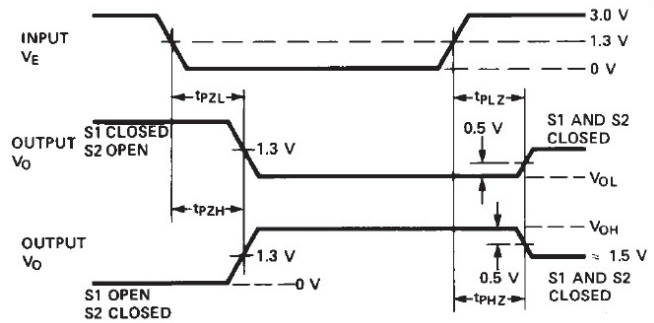


Figure 13. Waveforms for t_{PZH} , t_{PZL} , t_{PHZ} and t_{PLZ} .

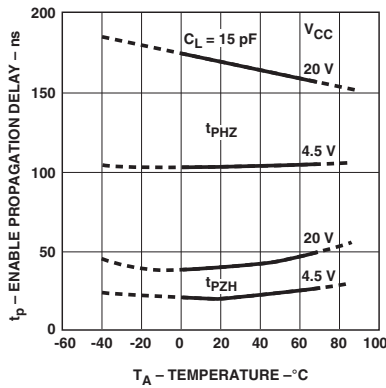


Figure 14. Typical Logic High Enable Propagation Delay vs. Temperature.

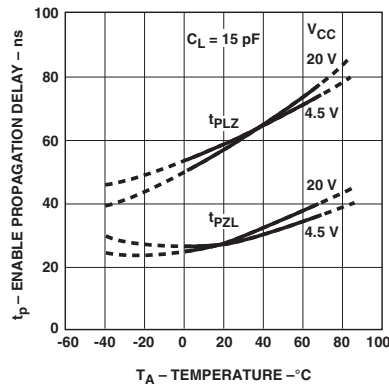


Figure 15. Typical Logic Low Enable Propagation Delay vs. Temperature.

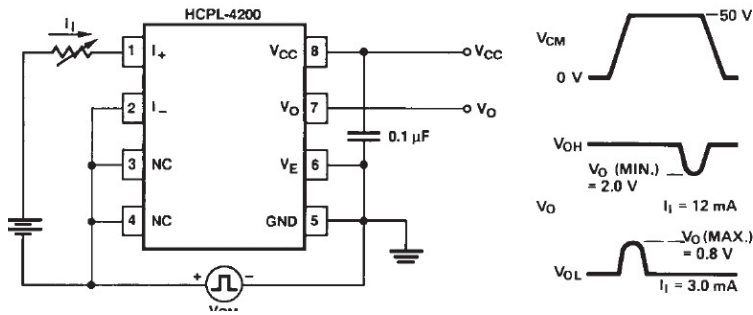


Figure 16. Test Circuit for Common Mode Transient Immunity.

Applications

Data transfer between equipment which employs current loop circuits can be accomplished via one of three configurations: simplex, half duplex or full duplex communication. With these configurations, point-to-point and multidrop arrangements are possible. The appropriate configuration to use depends upon data rate, number of stations, number and length of lines, direction of data flow, protocol, current source location and voltage compliance value, etc.

Simplex

The simplex configuration, whether point to point or multidrop, gives unidirectional data flow from transmitter to receiver(s). This is the simplest configuration for use in long line length (two wire), for high data rate, and low current source compliance level applications. Block diagrams of simplex point-to-point and multidrop arrangements are given in Figures 17a and 17b respectively for the HCPL-4200 receiver optocoupler.

For the highest data rate performance in a current loop, the configuration of a non-isolated active transmitter (containing current source) transmitting data to a remote isolated receiver(s) should be used. When the current source is located at the transmitter end, the loop is charged approximately to V_{MI} (2.5 V). Alternatively, when the current source is located at the receiver end, the loop is charged to the full compliance voltage level. The lower the charged voltage level the faster the data rate will be. In the configurations of Figures 17a and 17b, data rate is independent of the current source voltage compliance level. An adequate compliance level of current source must be available for voltage drops across station(s) during the MARK state in multidrop applications or for long line length. The maximum compliance level is determined by the transmitter breakdown characteristic.

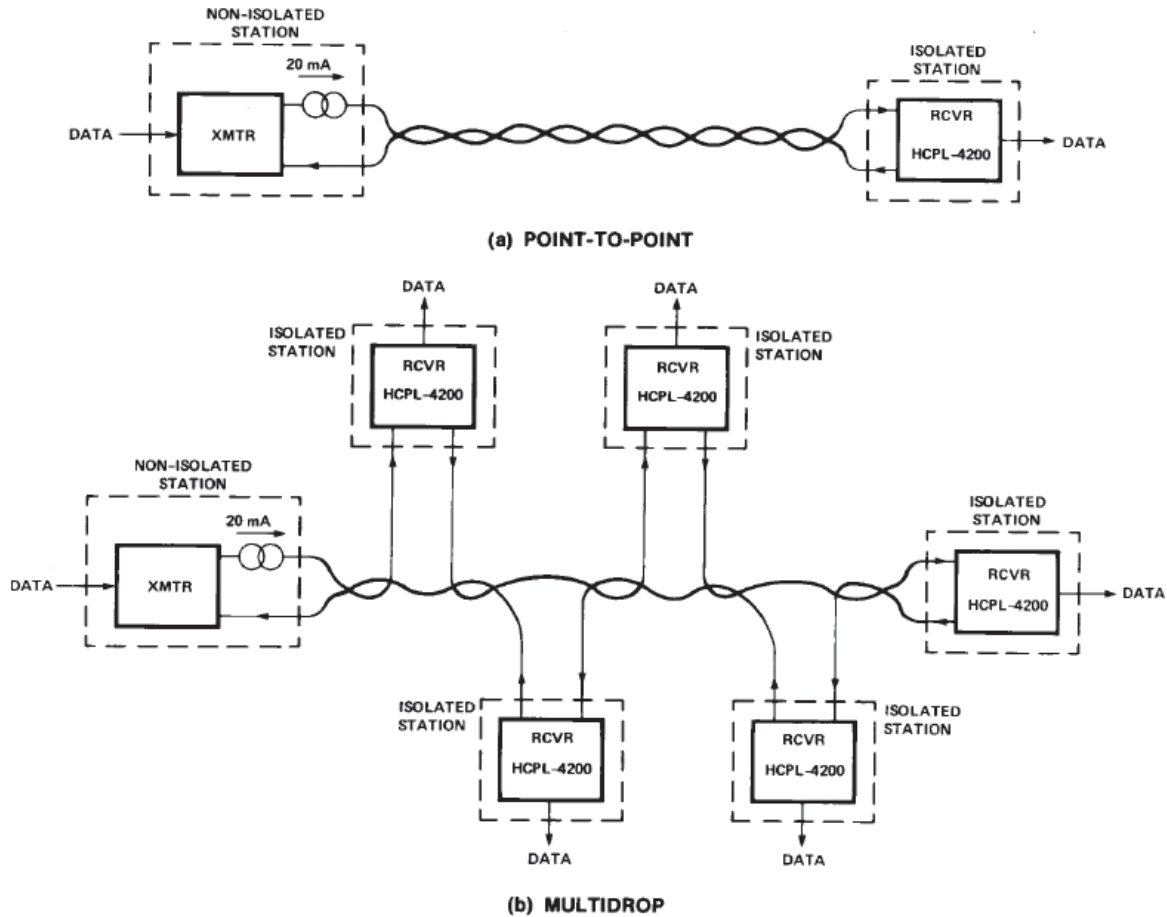


Figure 17. Simplex Current Loop System Configurations for (a) Point-to-Point, (b) Multidrop.

A recommended non-isolated active transmitter circuit which can be used with the HCPL-4200 in point-to-point or in multidrop 20 mA current loop applications is given in Figure 18. The current source is controlled via a standard TTL 7407 buffer to provide high output impedance of current source in both the ON

and OFF states. This non-isolated active transmitter provides a nominal 20 mA loop current for the listed values of V_{CC} , R2 and R3 in Figure 18.

Length of current loop (one direction) versus minimum required DC supply voltage, V_{CC} , of the circuit in Figure 18 is graphically illustrated in Figure 19. Multidrop configurations will require larger V_{CC} than Figure 19 predicts in order to account for additional station terminal voltage drops.

Typical data rate performance versus distance is illustrated in Figure 20 for the combination of a non-isolated active transmitter and HCPL-4200 optically coupled current loop receiver shown in Figure 18. Curves are shown for 10% and 25% distortion data rate. 10% (25%) distortion data rate is defined as that rate at which 10% (25%) distortion occurs to output bit interval with respect to input bit interval. An input Non-Return-to-Zero (NRZ) test waveform of 16 bits (0000001011111101) was used for data rate distortion measurements. Data rate is independent of current source supply voltage, V_{CC} .

The cable used contained five pairs of unshielded, twisted, 22 AWG wire (Dearborn #862205). Loop current is 20 mA nominal. Input and output logic supply voltages are 5 V dc.

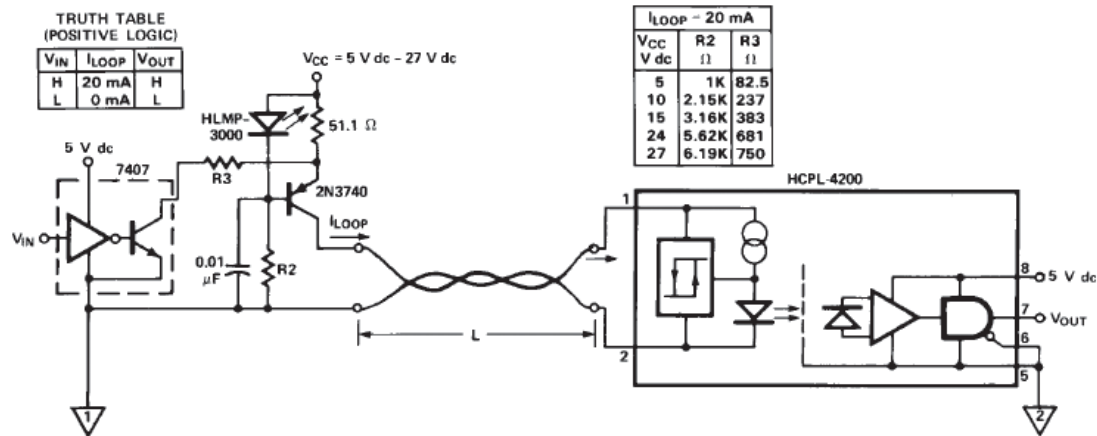


Figure 18. Recommended Non-Isolated Active Transmitter with HCPL-4200 Isolated Receiver for Simplex Point-to-Point 20 mA Current Loop.

Full Duplex

The full duplex point-to-point communication of Figure 21 uses a four wire system to provide simultaneous, bi-directional data communication between local and remote equipment. The basic application uses two simplex point-to-point loops which have two separate, active, non-isolated units at one common end of the loops. The other end of each loop is isolated.

As Figure 21 illustrates, the combination of Avago current loop optocouplers, HCPL-4100 transmitter and HCPL-4200 receiver, can be used at the isolated end of current loops. Cross talk and common mode coupling are greatly reduced when optical isolation is implemented at the same end of both loops, as shown. The full duplex data rate is limited by the non-isolated active receiver current loop. Comments mentioned under simplex configuration apply to the full duplex case. Consult the HCPL-4100 transmitter optocoupler data sheet for specified device performance.

Half Duplex

The half duplex configuration, whether point-to-point or multidrop, gives non-simultaneous bidirectional data flow from transmitters to receivers shown in Figures 22a and 22b. This configuration allows the use of two wires to carry data back and forth between local and remote units. However, protocol must be used to determine which specific transmitter can operate at any given time. Maximum data rate for a half duplex system is limited by the loop current charging time. These considerations were explained in the Simplex configuration section.

Figures 22a and 22b illustrate half duplex application for the combination of HCPL-4100/-4200 optocouplers. The unique and complementary designs of the HCPL-4100 transmitter and HCPL-4200 receiver optocouplers provide many designed-in benefits. For example, total optical isolation at one end of the current loop is easily accomplished, which results in substantial removal

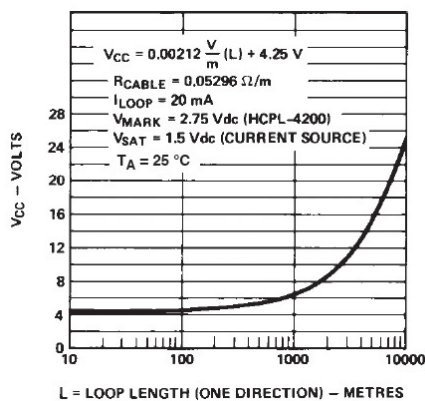


Figure 19. Minimum Required Supply Voltage, V_{CC}, vs. Loop Length for Current Loop Circuit of Figure 19.

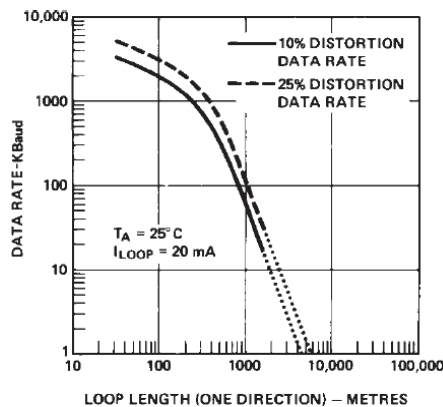


Figure 20. Typical Data Rate vs. Distance.