

HCPL-T250

1.5 Amp Output Current IGBT Gate Drive Optocoupler



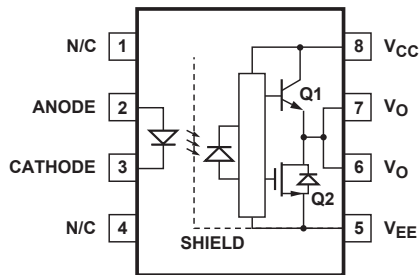
Data Sheet



Description

The HCPL-T250 contains GaAs LED. The LED is optically coupled to an integrated circuit with a power output stage. This optocoupler is ideally suited for driving power IGBTs and MOSFETs used in motor control inverter applications. The high operating voltage range of the output stage provides the drive voltages required by gate controlled devices. The voltage and current supplied by this optocoupler makes it ideally suited for directly driving IGBTs with ratings up to 1200 V/25 A. For IGBTs with higher ratings, the HCPL-T250 can be used to drive a discrete power stage which drives the IGBT gate.

Functional Diagram



Truth Table

| LED | V _{out} |
|-----|------------------|
| ON | HIGH |
| OFF | LOW |

A 0.1 μF bypass capacitor must be connected between pins 5 and 8.

Features

- Input threshold current (I_{FLH}): 5 mA (max.)
- Supply current (I_{CC}): 11 mA (max.)
- Supply voltage (V_{CC}): 15-35V
- Output current (I_O): ±0.5 A (min.)
- Switching time (t_{PLH}/t_{PHL}): 0.5 μs (max.)
- Isolation voltage (V_{ISO}): 3750 Vrms (min.)
- UL 1577 recognized: File No. E55361
- CSA approved
- IEC/EN/DIN EN 60747-5-2 approved with V_{IORM} = 630 V_{peak}
- 5 kV/μs Minimum Common Mode Rejection (CMR) at V_{cm} = 1500 V
- Creepage distance: 7.4 mm
Clearance: 7.1 mm

Applications

- IGBT/MOSFET gate drive
- AC/brushless DC motor drives
- Industrial inverters
- Switch mode power supplies

CAUTION: It is advised that normal static precautions be taken in handling and assembly of this component to prevent damage and/or degradation which may be induced by ESD.

Ordering Information

HCPL-T250 is UL Recognized with 3750 Vrms for 1 minute per UL1577.

| Part Number | Option | | Package | Surface Mount | Gull Wing | Tape & Reel | IEC/EN/DIN EN 60747-5-2 | Quantity |
|-------------|----------------|--------------------|------------------|---------------|-----------|-------------|-------------------------|---------------|
| | RoHS Compliant | Non RoHS Compliant | | | | | | |
| HCPL-T250 | -000E | No option | 300 mil DIP-8 | | | | | 50 per tube |
| | -300E | #300 | | X | X | | | 50 per tube |
| | -500E | #500 | | X | X | X | | 1000 per reel |
| | -060E | #060 | | | | | X | 50 per tube |
| | -360E | #360 | | X | X | | X | 50 per tube |
| | -560E | #560 | | X | X | X | X | 1000 per reel |

To order, choose a part number from the part number column and combine with the desired option from the option column to form an order entry.

Example 1:

HCPL-T250-560E to order product of 300 mil DIP Gull Wing Surface Mount package in Tape and Reel packaging with IEC/EN/DIN EN 60747-5-2 Safety Approval in RoHS compliant.

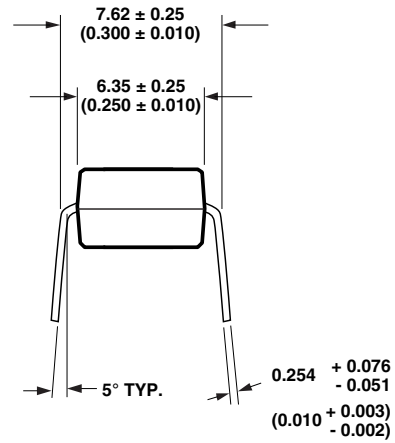
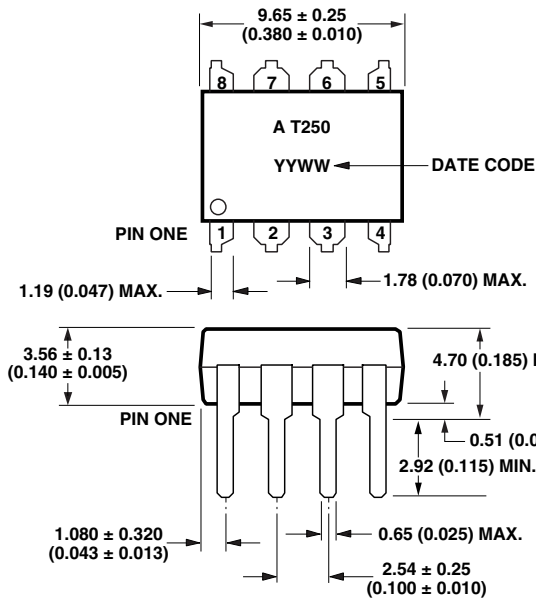
Example 2:

HCPL-T250 to order product of 300 mil DIP package in tube packaging and non RoHS compliant.

Option datasheets are available. Contact your Avago sales representative or authorized distributor for information.

Remarks: The notation '#XXX' is used for existing products, while (new) products launched since 15th July 2001 and RoHS compliant option will use '-XXXE'.

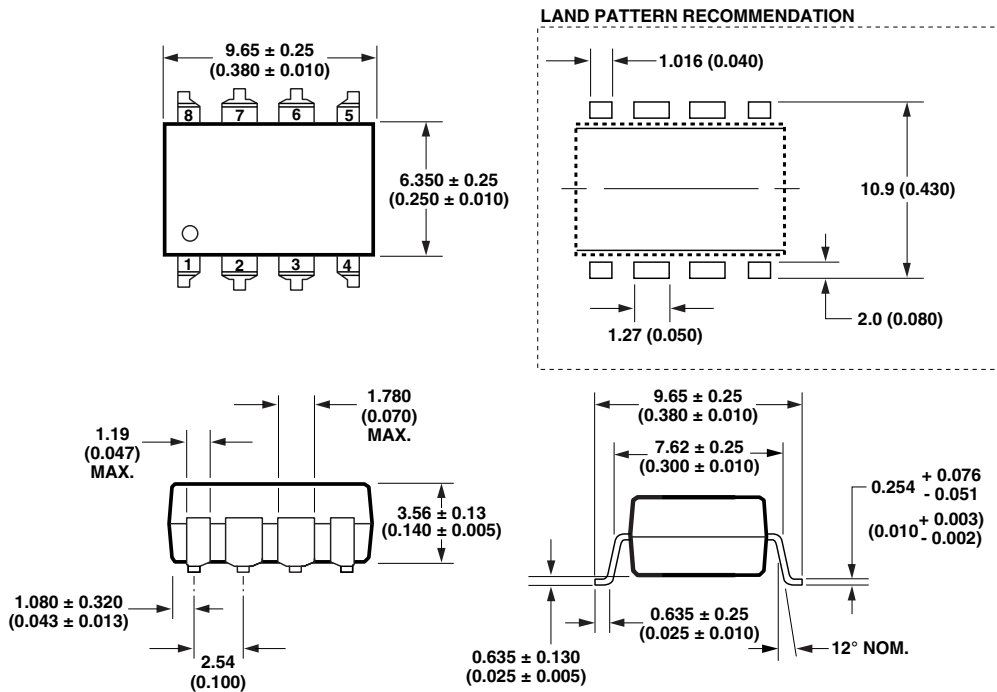
Package Outline Drawings
Standard DIP Package



DIMENSIONS IN MILLIMETERS AND (INCHES).

NOTE: FLOATING LEAD PROTRUSION IS 0.25 mm (10 mils) MAX.

Gull Wing Surface Mount Option 300

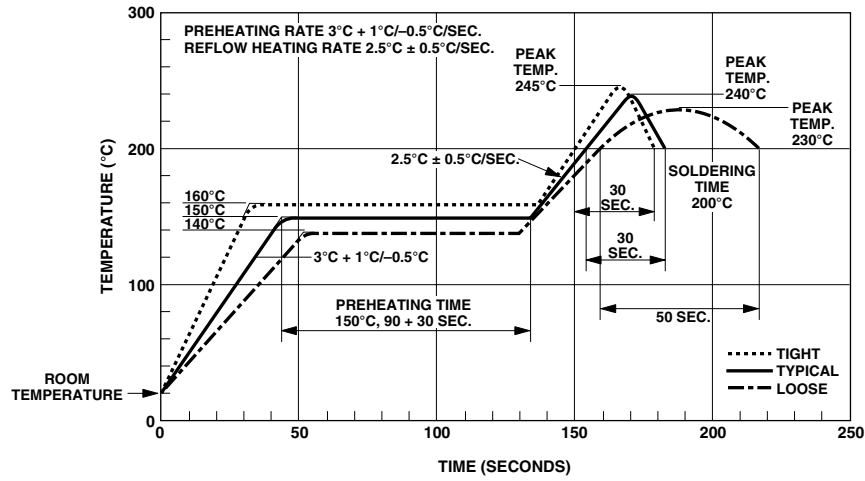


DIMENSIONS IN MILLIMETERS (INCHES).

LEAD COPLANARITY = 0.10 mm (0.004 INCHES).

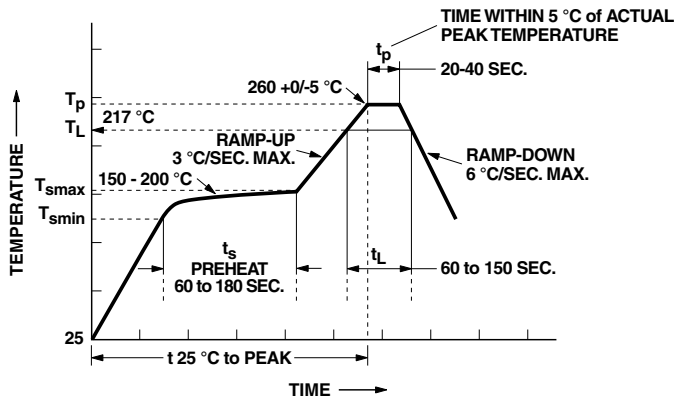
NOTE: FLOATING LEAD PROTRUSION IS 0.25 mm (10 mils) MAX.

Solder Reflow Thermal Profile



Note: Non-halide flux should be used.

Recommended Pb-Free IR Profile



NOTES:
 THE TIME FROM 25 °C TO PEAK TEMPERATURE = 8 MINUTES MAX.
 $T_{smax} = 200^{\circ}\text{C}$, $T_{smin} = 150^{\circ}\text{C}$

Note: Non-halide flux should be used.

Regulatory Information

The HCPL-T250 has been approved by the following organizations:

UL

Recognized under UL 1577, Component Recognition Program, File E55361.

CSA

Approved under CSA Component Acceptance Notice #5, File CA 88324.

IEC/EN/DIN EN 60747-5-2

Approved under:
IEC 60747-5-2:1997 + A1:2002
EN 60747-5-2:2001 + A1:2002
DIN EN 60747-5-2 (VDE 0884 Teil 2):2003-01.
(Option 060 only)

Insulation and Safety Related

| Parameter | Symbol | Value | Units | Conditions |
|---|--------|-------|-------|--|
| Minimum External Air Gap (Clearance) | L(101) | 7.1 | mm | Measured from input terminals to output terminals, shortest distance through air. |
| Minimum External Tracking (Creepage) | L(102) | 7.4 | mm | Measured from input terminals to output terminals, shortest distance path along body. |
| Minimum Internal Plastic Gap (Internal Clearance) | | 0.08 | mm | Insulation thickness between emitter and detector; also known as distance through insulation |
| Tracking Resistance (Comparative Tracking Index) | CTI | ≥175 | Volts | DIN IEC 112/VDE 0303 Part 1 |
| Isolation Group | | IIIa | | Material Group (DIN VDE 0110, 1/89, Table 1) |

Absolute Maximum Ratings (Compared with HCPL-3120)

| Parameter | Symbol | Units | HCPL-3120 | | HCPL-T250 | | Note |
|---|---------------------|-------|---|----------|-----------|----------|------|
| | | | Min. | Max. | Min. | Max. | |
| Operating Temperature | T_A | °C | -40 | 100 | -20 | 85 | |
| "High" Peak Output Current | $I_{OH(PEAK)}$ | A | | 2.5 | | 1.5 | 1 |
| "High" Peak Output Current | $I_{OL(PEAK)}$ | A | | 2.5 | | 1.5 | |
| Storage Temperature | T_S | °C | -55 | 125 | -55 | 125 | |
| Average Input Current | $I_{F(AVG)}$ | mA | | 25 | | 20 | 2 |
| Peak Transient Input Current (<1 μs Pulse Width, 300 pps) | $I_{F(TRAN)}$ | A | | 1.0 | | 1.0 | |
| Reverse Input Voltage | V_R | V | | 5 | | 5 | |
| Supply Voltage | $(V_{CC} - V_{EE})$ | V | 0 | 35 | 0 | 35 | |
| Output Voltage | V_O | V | 0 | V_{CC} | 0 | V_{CC} | |
| Output Power Dissipation | P_O | mW | | 250 | | 250 | 3 |
| Lead Solder Temperature | | | 260°C for 10 sec., 1.6 mm below seating plane | | | | |
| Solder Reflow Temperature Profile | | | See Package Outline Drawings section | | | | |

Notes:

1. Maximum pulse width = 10 μs, maximum duty cycle = 0.2%. See HCPL-3120 Applications section for additional details on limiting $I_{OH(PEAK)}$.
2. Derate linearly above 70°C free-air temperature at a rate of 0.3 mA/°C.
3. Derate linearly above 70°C free-air temperature at a rate of 4.8 mW/°C.

Recommended Operating Conditions

| Parameter | Symbol | Min. | Max. | Units |
|----------------------|-------------------|------|------|-------|
| Power Supply Voltage | $V_{CC} - V_{EE}$ | 15 | 30 | V |
| Input Current (ON) | $I_{F(ON)}$ | 7 | 16 | mA |
| Input Voltage (OFF) | $V_{F(OFF)}$ | -3.6 | 0.8 | V |

DC Electrical Specifications (Compared with HCPL-3120)

Over recommended operating conditions ($I_{F(ON)} = 7$ to 16 mA, $V_{F(OFF)} = -3.6$ to 0.8 V, $V_{CC} = 15$ to 30 V, $V_{EE} = \text{Ground}$) unless otherwise specified.

| Parameter | Symbol | Units | HCPL-3120 | | | HCPL-T250 | | | Test Conditions | Note |
|--|---------------------------|---------------|--------------|----------------|----------------|--------------|----------------|----------------|---|------|
| | | | Min. | Typ.* | Max. | Min. | Typ.* | Max. | | |
| Input Forward Voltage | V_F | V | 1.2 | 1.5 | 1.8 | | 1.6 | 1.8 | $I_F = 10$ mA | |
| Temperature Coefficient of Forward Voltage | $\Delta V_F / \Delta T_A$ | mV/°C | | -1.6 | | | -2.0 | | $I_F = 10$ mA | |
| Input Reverse Current | I_R | μA | | | 10 | | | 10 | $V_R = 5$ V | |
| Input Capacitance | C_{IN} | pF | | 60 | | | 60 | 250 | $V_F = 0$ V, $F = 1$ MHz | |
| High Level Output Current | I_{OH} | A | 0.5 2.0 | 1.5 | | 0.5 N.A. | 1.5 | | $V_O = V_{CC} - 4$ V $V_O = V_{CC} - 15$ V | |
| Low Level Output Current | I_{OL} | A | 0.5 2.0 | 2.0 | | 0.5 N.A. | 2.0 | | $V_O = V_{CC} - 4$ V $V_O = V_{CC} - 15$ V | |
| High Level Output Voltage | V_{OH} | V | $V_{CC} - 4$ | $V_{CC} - 3$ | | $V_{CC} - 4$ | $V_{CC} - 3$ | | $I_O = -100$ mA | |
| Low Level Output Voltage | V_{OL} | V | | $V_{EE} + 0.1$ | $V_{EE} + 0.5$ | | $V_{EE} + 0.8$ | $V_{EE} + 2.5$ | $I_O = 100$ mA | |
| High Level Supply Current | I_{CCH} | mA | | 2.0 | 5 | | 7 | 11 | Output Open $I_F = 7$ to 16 mA | |
| Low Level Supply Current | I_{CCL} | mA | | 2.0 | 5 | | 7.5 | 11 | Output Open $V_F = -3.0$ to $+0.8$ V | |
| Threshold Input Current Low to High | I_{FLH} | mA | | 2.3 | 5 | | 1.2 | 5 | $I_O = 0$ mA, $V_O > 5$ V | |
| Threshold Input Voltage High to Low | V_{FHL} | V | 0.8 | | | 0.8 | | | | |
| Supply Voltage | V_{CC} | V | 15 | | 30 | 15 | | 30 | | |
| Capacitance (Input-Output) | C_{I-O} | pF | | 0.6 | | | 1.0 | | | |
| Resistance (Input-Output) | R_{I-O} | Ω | | 10^{12} | | | 10^{12} | | | |

*All typical values at $T_A = 25^\circ\text{C}$ and $V_{CC} - V_{EE} = 3^\circ\text{V}$, unless otherwise noted.