

High Speed Transistor Optocouplers

Single Channel:

HCPL0453, HCPL0500, HCPL0501

Dual Channel:

HCPL0531, HCPL0534

HCPL0453, HCPL0500, HCPL0501, HCPL0531, HCPL0534

Description

The HCPL05XX, and HCPL04XX optocouplers consist of an AlGaAs LED optically coupled to a high speed photo-detector transistor housed in a compact 8-pin small outline package.

A separate connection for the bias of the photodiode improves the speed by several orders of magnitude over conventional phototransistor optocouplers by reducing the base-collector capacitance of the input transistor. The HCPL04XX devices do not have the base bonded out to a lead for additional noise margin. The HCPL053X devices have two channels per package for optimum mounting density.

Features

- High Speed – 1 MBit/s
- 15 kV/μs Minimum Common Mode Transient Immunity at $V_{CM} = 1500\text{ V}$ (HCPL0453/0534)
- Open Collector Output
- Guaranteed Performance Over Temperature: 0°C to 70°C
- U.L. Recognized (File # E90700)
- VDE0884 Recognized (File # 136616)
 - ♦ Approval Pending for HCPL0531/0453
 - ♦ Ordering Option V, e.g., HCPL0500V
- BSI Recognized (File # 8661, 8662)
 - ♦ HCPL0500/0501 only

Applications

- Line Receivers
- Pulse Transformer Replacement
- Output Interface to CMOS–LSTTL–TTL
- Wide Bandwidth Analog Coupling

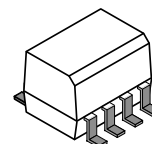
TRUTH TABLE (Positive Logic)

LED	V_O
ON	LOW
OFF	HIGH



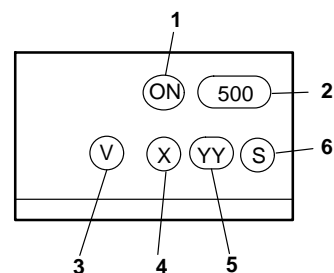
ON Semiconductor®

www.onsemi.com



SOIC8
CASE 751DZ

MARKING DIAGRAM



1. ON = ON Semiconductor Logo
2. 500 = Device Number
3. V = VDE mark indicates DIN EN/IEC60747–5–5 approval (Note: Only appears on parts ordered with VDE option – See Ordering Information Table)
4. X = One-Digit Year Code, e.g. '3'
5. YY = Two Digit Work Week Ranging from '01' to '53'
6. S = Assembly Package Code

ORDERING INFORMATION

See detailed ordering and shipping information on page 7 of this data sheet.

SCHEMATICS

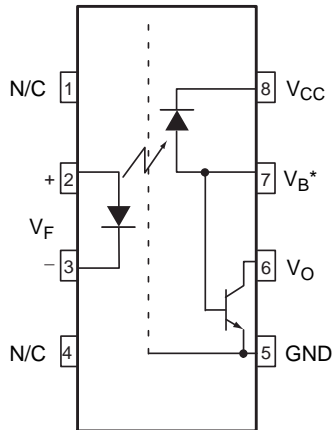


Figure 1. Single-channel Circuit Schematics
(HCPL0500, HCPL0501
*Base Not Connected
for HCPL0453)

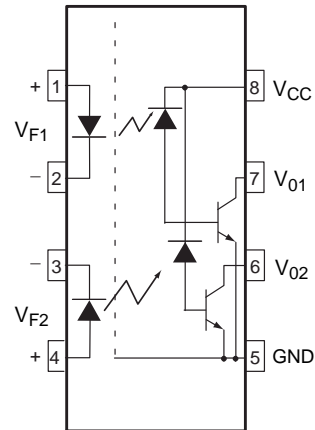


Figure 2. Dual-channel Circuit Schematics
(HCPL0531, HCPL0534)

ABSOLUTE MAXIMUM RATINGS ($T_A = 25^\circ\text{C}$ unless otherwise specified)

Symbol	Parameter	Value	Units
T_{STG}	Storage Temperature	-40 to +125	$^\circ\text{C}$
T_{OPR}	Operating Temperature	-40 to +85	$^\circ\text{C}$
	Reflow Temperature Profile (Refer to page 7)		

EMITTER

I_F (avg)	DC/Average Forward Input Current	25	mA
I_F (pk)	Peak Forward Input Current (50% duty cycle, 1 ms P.W.)	50	mA
I_F (trans)	Peak Transient Input Current ($t \leq 1 \mu\text{s}$ P.W., 300 pps)	1.0	A
V_R	Reverse Input Voltage	5.0	V
P_D	Input Power Dissipation	45	mW

DETECTOR

I_O (avg)	Average Output Current (Pin 6)	8	mA
I_O (pk)	Peak Output Current	16	mA
V_{EBR}	Emitter-Base Reverse Voltage (HCPL0500/0501 only)	5	V
V_{CC}	Supply Voltage	-0.5 to 30	V
V_O	Output Voltage	-0.5 to 20	V
I_B	Base Current (HCPL0500/0501 only)	5	mA
P_D	Output Power Dissipation	100	mW

Stresses exceeding those listed in the Maximum Ratings table may damage the device. If any of these limits are exceeded, device functionality should not be assumed, damage may occur and reliability may be affected.

HCPL0453, HCPL0500, HCPL0501, HCPL0531, HCPL0534

ELECTRICAL CHARACTERISTICS (T_A = 0°C to 70°C unless otherwise specified)

INDIVIDUAL COMPONENT CHARACTERISTICS

Symbol	Parameter	Test Conditions	Device	Min.	Typ.*	Max.	Unit
EMITTER							
V _F	Input Forward Voltage	I _F = 16 mA, T _A = 25°C	All		1.45	1.7	V
		I _F = 16 mA				1.8	
BV _R	Input Reverse Breakdown Voltage	I _R = 10 μA	All	5.0			V
ΔV _F / ΔT _A	Temperature Coefficient of Forward Voltage	I _F = 16 mA	All		-1.6		mV/°C

DETECTOR

I _{OH}	Logic High Output Current	I _F = 0 mA, V _O = V _{CC} = 5.5 V, T _A = 25°C	All		0.001	0.5	μA
		I _F = 0 mA, V _O = V _{CC} = 15 V, T _A = 25°C	All		0.005	1	
		I _F = 0 mA, V _O = V _{CC} = 15 V	All			50	
I _{CCL}	Logic Low Supply Current	I _F = 16 mA, V _O = Open, V _{CC} = 15 V	HCPL0453/ 0500/1		120	200	μA
			HCPL0531/4			400	
I _{CCH}	Logic High Supply Current	I _F = 0 mA, V _O = Open, V _{CC} = 15 V, T _A = 25°C	All		0.01	1	μA
			HCPL0453/ 0500/1			2	
			HCPL0531/4			4	

TRANSFER CHARACTERISTICS

Symbol	Parameter	Test Conditions	Device	Min.	Typ.*	Max.	Unit
COUPLED							
CTR	Current Transfer Ratio (Note 1)	I _F = 16 mA, V _O = 0.4 V, V _{CC} = 4.5 V, T _A = 25°C	HCPL0500	7	27	50	%
			HCPL0453	19	27	50	
			HCPL0501/0531				
		I _F = 16 mA, V _O = 0.5 V, V _{CC} = 4.5 V	HCPL0500	5	30		
			HCPL0453	15	30		
			HCPL0501/0534				
V _{OL}	Logic Low Output Voltage	I _F = 16 mA, I _O = 1.1 mA, V _{CC} = 4.5 V, T _A = 25°C	HCPL0500		0.18	0.4	V
			HCPL0453		0.25	0.4	
		HCPL0501/0531/4					
		I _F = 16 mA, I _O = 0.8 mA, V _{CC} = 4.5 V	HCPL0500		0.13	0.5	
			HCPL0453		0.23	0.5	
		HCPL0501/0531/4					

*All typicals at T_A = 25°C

HCPL0453, HCPL0500, HCPL0501, HCPL0531, HCPL0534

ELECTRICAL CHARACTERISTICS (CONTINUED) ($T_A = 0^\circ\text{C}$ to 70°C unless otherwise specified)

SWITCHING CHARACTERISTICS ($T_{V_{CC}} = 5\text{ V}$)

Symbol	Parameter	Test Conditions	Device	Min.	Typ.*	Max.	Unit
T_{PHL}	Propagation Delay Time to Logic LOW	$T_A = 25^\circ\text{C}$, $R_L = 4.1\text{ k}\Omega$, $I_F = 16\text{ mA}$ (Note 2) (Fig. 9)	HCPL0500		0.45	1.5	μs
		$R_L = 1.9\text{ k}\Omega$, $I_F = 16\text{ mA}$, $T_A = 25^\circ\text{C}$ (Note 3) (Fig. 9)	HCPL0453		0.45	0.8	
			HCPL0501/0531/4				
		$R_L = 4.1\text{ k}\Omega$, $I_F = 16\text{ mA}$ (Note 2) (Fig. 9)	HCPL0500			2.0	
T_{PLH}	Propagation Delay Time to Logic HIGH	$T_A = 25^\circ\text{C}$, $R_L = 4.1\text{ k}\Omega$, $I_F = 16\text{ mA}$ (Note 2) (Fig. 9)	HCPL0500		0.5	1.5	μs
		$R_L = 1.9\text{ k}\Omega$, $I_F = 16\text{ mA}$, $T_A = 25^\circ\text{C}$ (Note 3) (Fig. 9)	HCPL0453		0.3	0.8	
			HCPL0501/0531/4				
		$R_L = 4.1\text{ k}\Omega$, $I_F = 16\text{ mA}$ (Note 2) (Fig. 9)	HCPL0500			2.0	
$ CM_H $	Common Mode Transient Immunity at Logic HIGH	$I_F = 0\text{ mA}$, $V_{CM} = 10\text{ V}_{P-P}$, $R_L = 4.1\text{ k}\Omega$, $T_A = 25^\circ\text{C}$ (Note 4) (Fig. 10)	HCPL0500	1,000	10,000		$\text{V}/\mu\text{s}$
		$I_F = 0\text{ mA}$, $V_{CM} = 10\text{ V}_{P-P}$, $R_L = 1.9\text{ k}\Omega$, $T_A = 25^\circ\text{C}$ (Note 4) (Fig. 10)	HCPL0501/31	1,000	10,000		
			HCPL0534	15,000	40,000		
		$I_F = 0\text{ mA}$, $V_{CM} = 1500\text{ V}_{P-P}$, $R_L = 1.9\text{ k}\Omega$, $T_A = 25^\circ\text{C}$ (Note 4) (Fig. 10)	HCPL0453	15,000	40,000		
$ CM_L $	Common Mode Transient Immunity at Logic LOW	$I_F = 16\text{ mA}$, $V_{CM} = 10\text{ V}_{P-P}$, $R_L = 4.1\text{ k}\Omega$, $T_A = 25^\circ\text{C}$ (Note 4) (Fig. 10)	HCPL0500	1,000	10,000		$\text{V}/\mu\text{s}$
		$I_F = 16\text{ mA}$, $V_{CM} = 10\text{ V}_{P-P}$, $R_L = 1.9\text{ k}\Omega$ (Note 4) (Fig. 10)	HCPL0501/31	1,000	10,000		
			HCPL0534	15,000	40,000		
		$I_F = 16\text{ mA}$, $T_A = 25^\circ\text{C}$, $V_{CM} = 1500\text{ V}_{P-P}$, $R_L = 1.9\text{ k}\Omega$ (Note 4) (Fig. 10)	HCPL0453	15,000	40,000		

ISOLATION CHARACTERISTICS

Symbol	Characteristics	Test Conditions	Min.	Typ.*	Max.	Unit
V_{ISO}	Input–Output Isolation Voltage	$f = 60\text{ Hz}$, $t = 1.0\text{ min.}$, $I_{I-O} \leq 2\text{ }\mu\text{A}$ (Notes 5, 6)	2500			$\text{V}_{AC_{RMS}}$
R_{ISO}	Isolation Resistance	$V_{I-O} = 500\text{ V}$ (Note 5)	10^{11}			
C_{ISO}	Isolation Capacitance	$V_{I-O} = 0\text{ V}$, $f = 1.0\text{ MHz}$ (Note 5)		0.2		pF

Product parametric performance is indicated in the Electrical Characteristics for the listed test conditions, unless otherwise noted. Product performance may not be indicated by the Electrical Characteristics if operated under different conditions.

*All typicals at $T_A = 25^\circ\text{C}$

- Current Transfer Ratio is designed as a ratio of output collector current, I_O , to the forward LED input current, I_F , times 100%.
- The $4.1\text{ k}\Omega$ load represents 1 LSTTL unit load of 0.36 mA and $6.1\text{ k}\Omega$ pull-up resistor.
- The $1.9\text{ k}\Omega$ load represents 1 TTL unit load of 1.6 mA and $5.6\text{ k}\Omega$ pull-up resistor.
- Common mode transient immunity in logic high level is the maximum tolerable (positive) dV_{cm}/dt on the leading edge of the common mode pulse signal V_{CM} , to assure that the output will remain in a logic high state (i.e., $V_O > 2.0\text{ V}$). Common mode transient immunity in logic low level is the maximum tolerable (negative) dV_{cm}/dt on the trailing edge of the common mode pulse signal, V_{CM} , to assure that the output will remain in a logic low state (i.e., $V_O < 0.8\text{ V}$).
- Device is considered a two terminal device: Pins 1, 2, 3 and 4 are shorted together and Pins 5, 6, 7 and 8 are shorted together.
- 2500 VAC RMS for 1 minute duration is equivalent to 3000 VAC RMS for 1 second duration.

TYPICAL PERFORMANCE CURVES

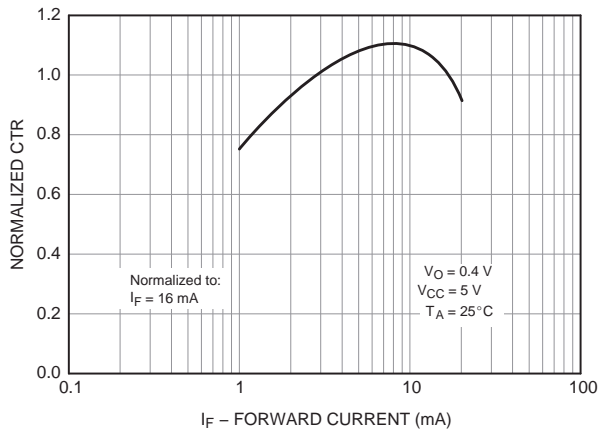


Figure 3. Normalized CTR vs. Forward Current

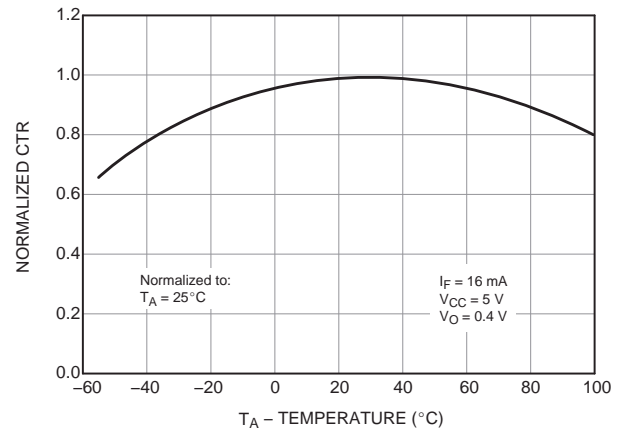


Figure 4. Normalized CTR vs. Temperature

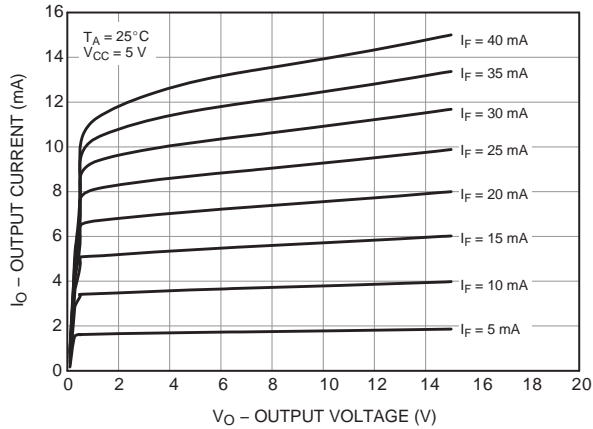


Figure 5. Output Current vs. Output Voltage

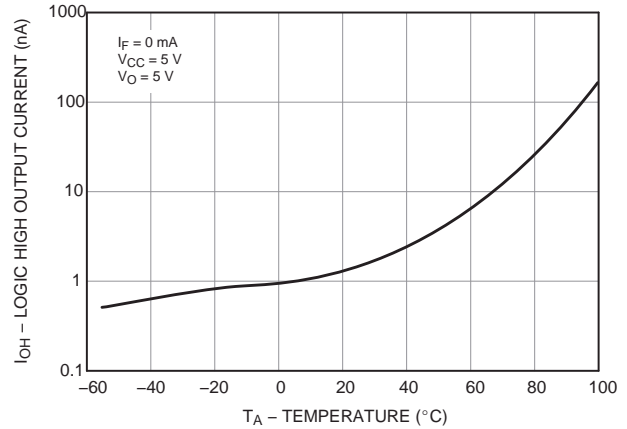


Figure 6. Logic High Output Current vs. Temperature

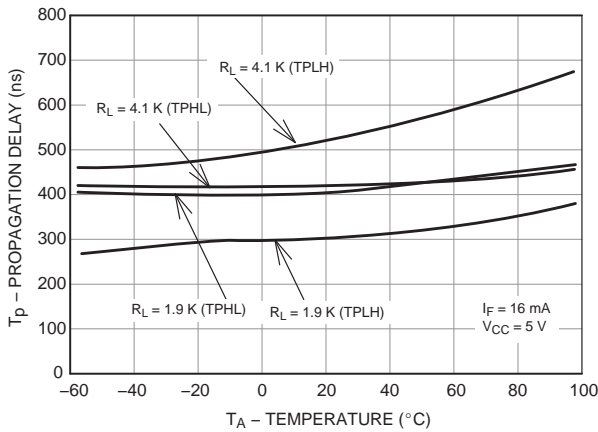


Figure 7. Propagation Delay vs. Temperature

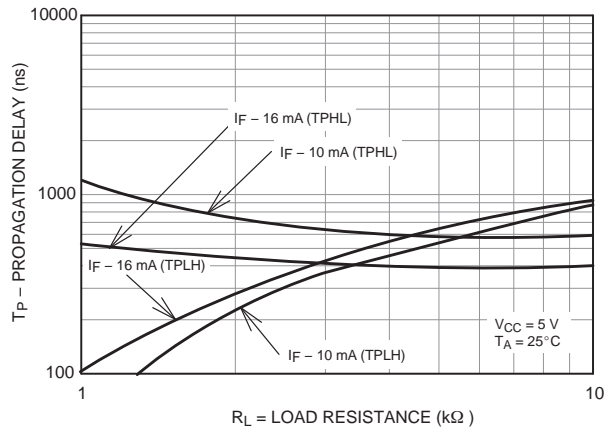
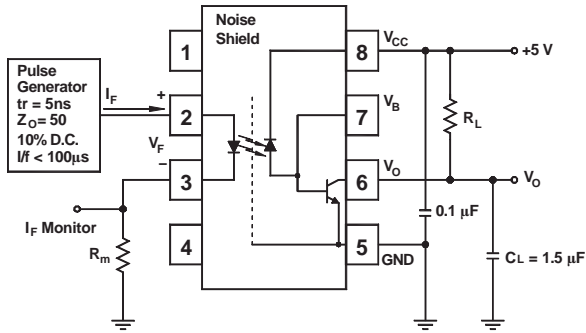
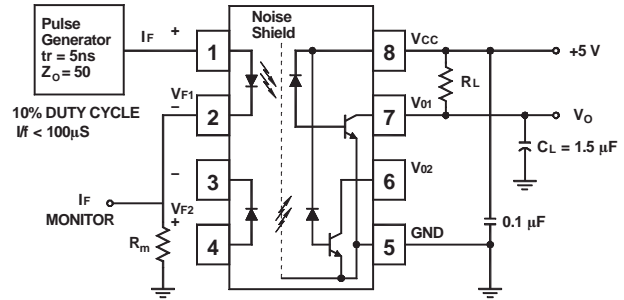


Figure 8. Propagation Delay vs. Load Resistance

HCPL0453, HCPL0500, HCPL0501, HCPL0531, HCPL0534



Test Circuit for HCPL0453, HCPL0500 and HCPL0501



Test Circuit for HCPL0531 and HCPL0534

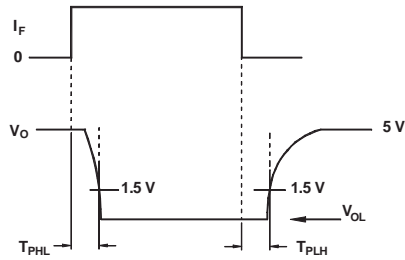
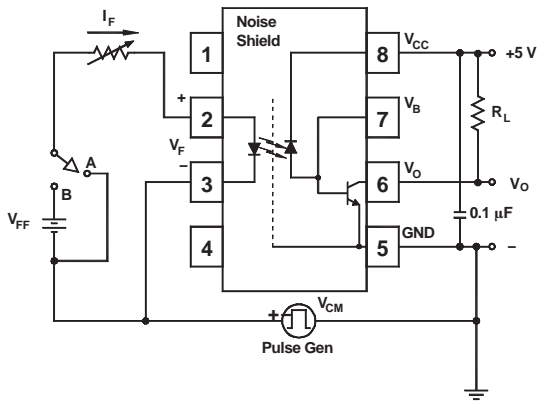
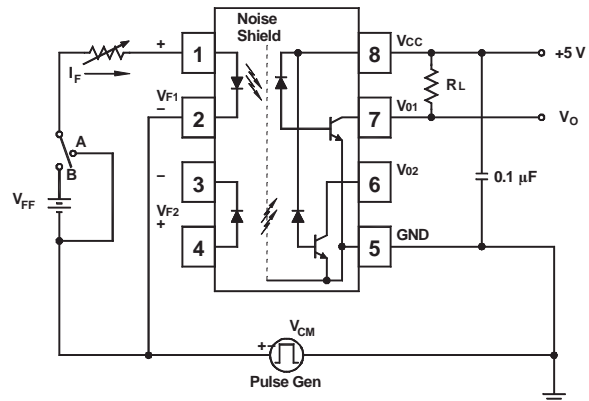


Figure 9. Switching Time Test Circuit



Test Circuit for HCPL0453, HCPL0500 and HCPL0501



Test Circuit for HCPL0531 and HCPL0534

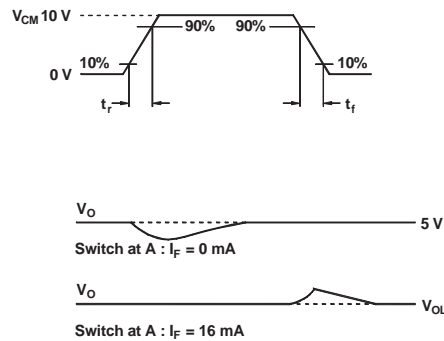


Figure 10. Common Mode Immunity Test Circuit

HCPL0453, HCPL0500, HCPL0501, HCPL0531, HCPL0534

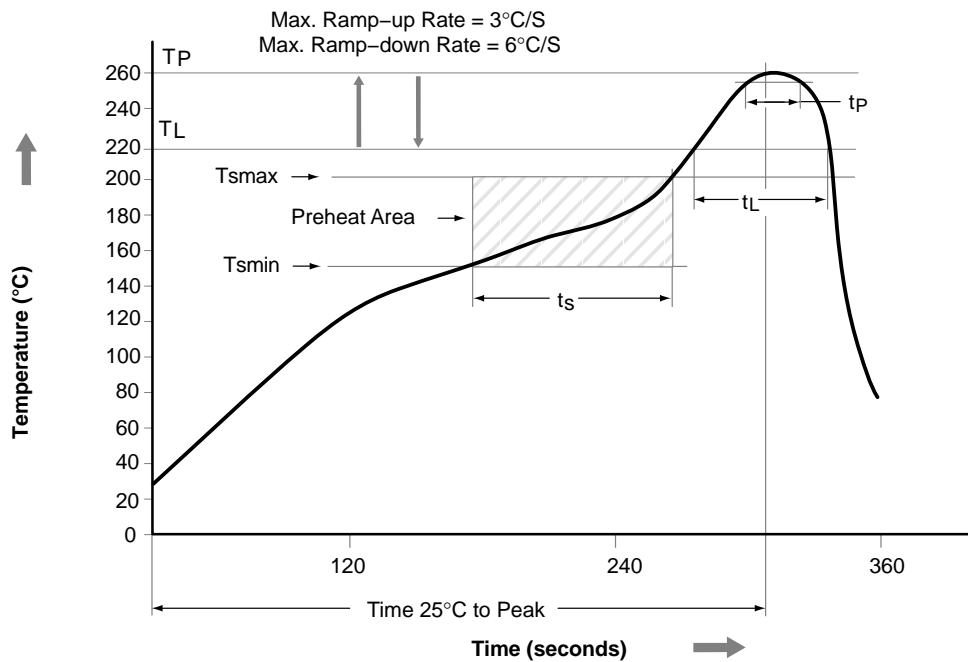
ORDERING INFORMATION

Part Nr./ Option (Note 7)	Order Entry Identifier	Package	Description	Packing Method†
HCPL0xxxV	V	SOIC8	VDE 0884 (approval pending for HCPL0531 & HCPL0534)	Tube (3000 Units)
HCPL0xxxR2	R2	SOIC8		Tape and Reel (2500 Units)
HCPL0xxxR2V	R2V	SOIC8	VDE 0884 (approval pending for HCPL0531 & HCPL0534)	Tape and Reel (2500 Units)

†For information on tape and reel specifications, including part orientation and tape sizes, please refer to our Tape and Reel Packaging Specifications Brochure, BRD8011/D.

7. The product orderable part number system listed in this table also applies to the HCPL0453, HCPL0500, HCPL0501, HCPL0531 and HCPL0534 product.

REFLOW PROFILE



Profile Feature	Pb-Free Assembly Profile
Temperature Min. (T Amin)	150°C
Temperature Max. (Tsmax)	200°C
Time (ts) from (T Amin to Tsmax)	60–120 seconds
Ramp-up Rate (tL to tp)	3°C/second max.
Liquidous Temperature (TL)	217°C
Time (tL) Maintained Above (TL)	60–150 seconds
Peak Body Package Temperature	260°C +0°C / -5°C
Time (tp) within 5°C of 260°C	30 seconds
Ramp-down Rate (TP to TL)	6°C/second max.
Time 25°C to Peak Temperature	8 minutes max.

MECHANICAL CASE OUTLINE

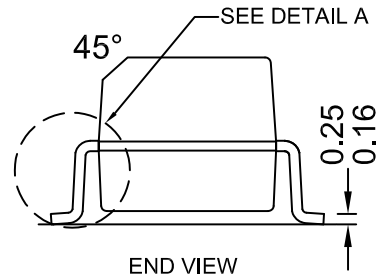
PACKAGE DIMENSIONS

ON Semiconductor®



SOIC8
CASE 751DZ
ISSUE O

DATE 30 SEP 2016



NOTES:

- A) NO STANDARD APPLIES TO THIS PACKAGE
- B) ALL DIMENSIONS ARE IN MILLIMETERS.
- C) DIMENSIONS DO NOT INCLUDE MOLD FLASH OR BURRS.
- D) LANDPATTERN STANDARD: SOIC127P600X175-8M.



DOCUMENT NUMBER:	98AON13733G	Electronic versions are uncontrolled except when accessed directly from the Document Repository. Printed versions are uncontrolled except when stamped "CONTROLLED COPY" in red.
DESCRIPTION:	SOIC8	PAGE 1 OF 1

ON Semiconductor and are trademarks of Semiconductor Components Industries, LLC dba ON Semiconductor or its subsidiaries in the United States and/or other countries. ON Semiconductor reserves the right to make changes without further notice to any products herein. ON Semiconductor makes no warranty, representation or guarantee regarding the suitability of its products for any particular purpose, nor does ON Semiconductor assume any liability arising out of the application or use of any product or circuit, and specifically disclaims any and all liability, including without limitation special, consequential or incidental damages. ON Semiconductor does not convey any license under its patent rights nor the rights of others.