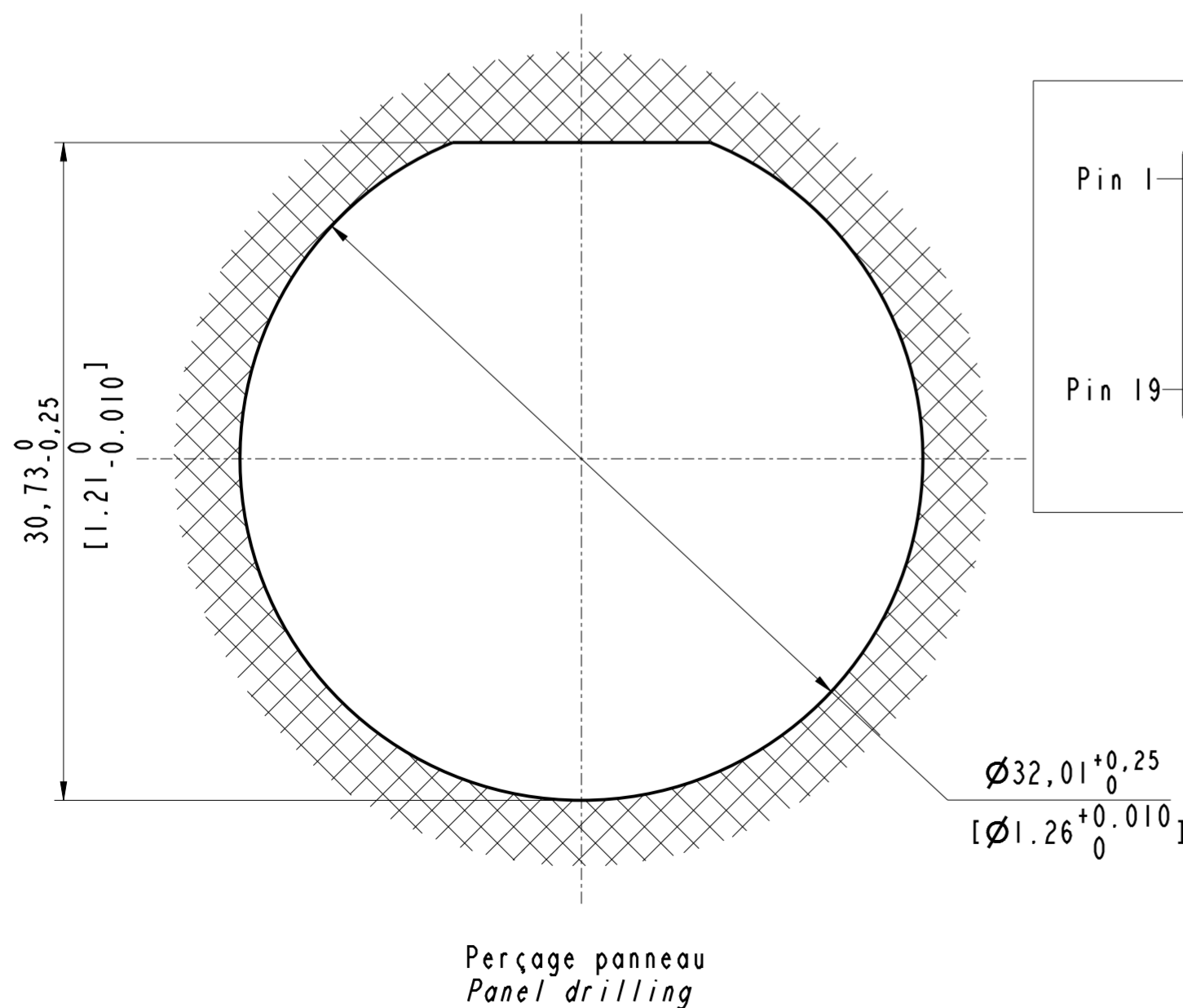
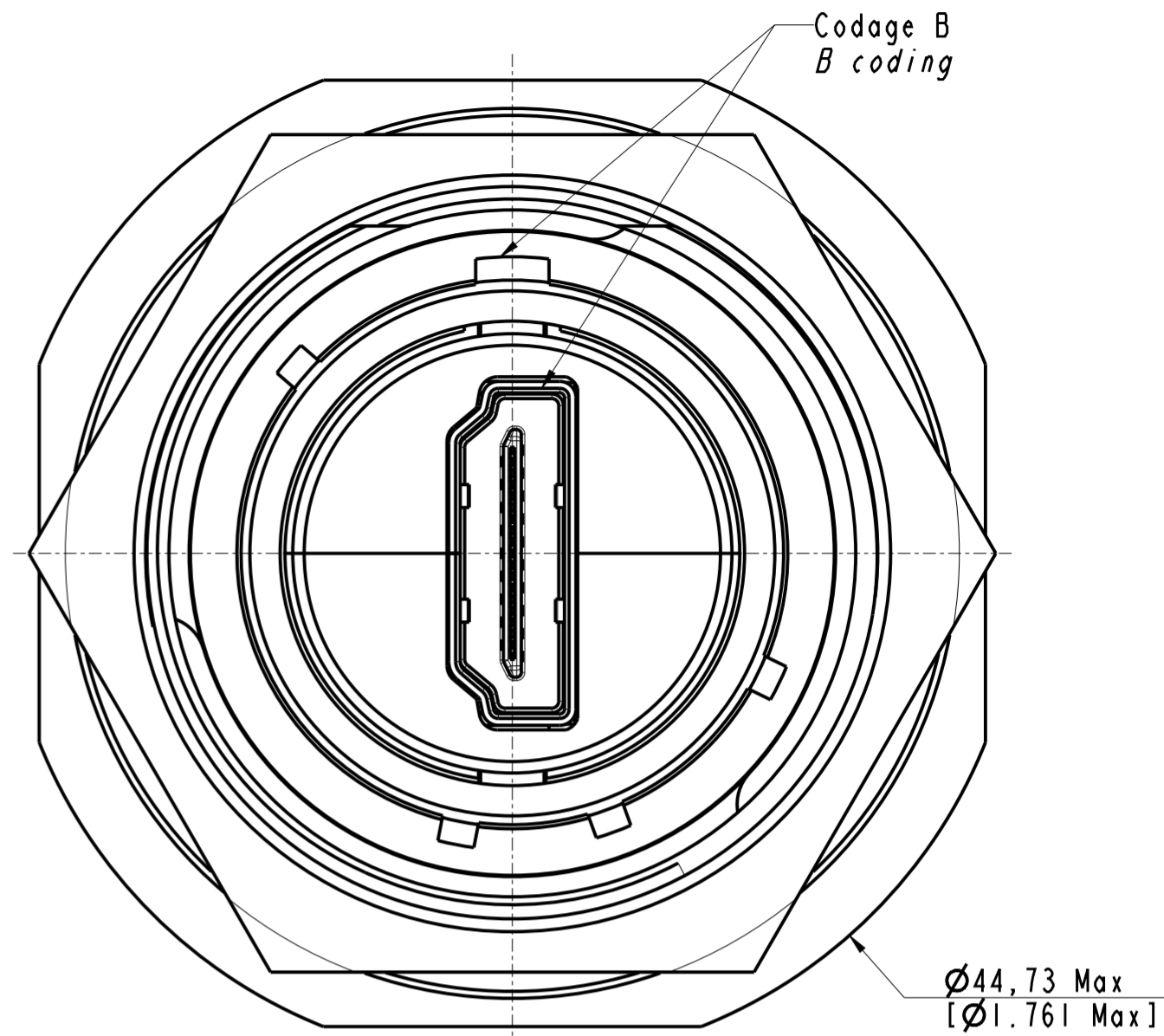
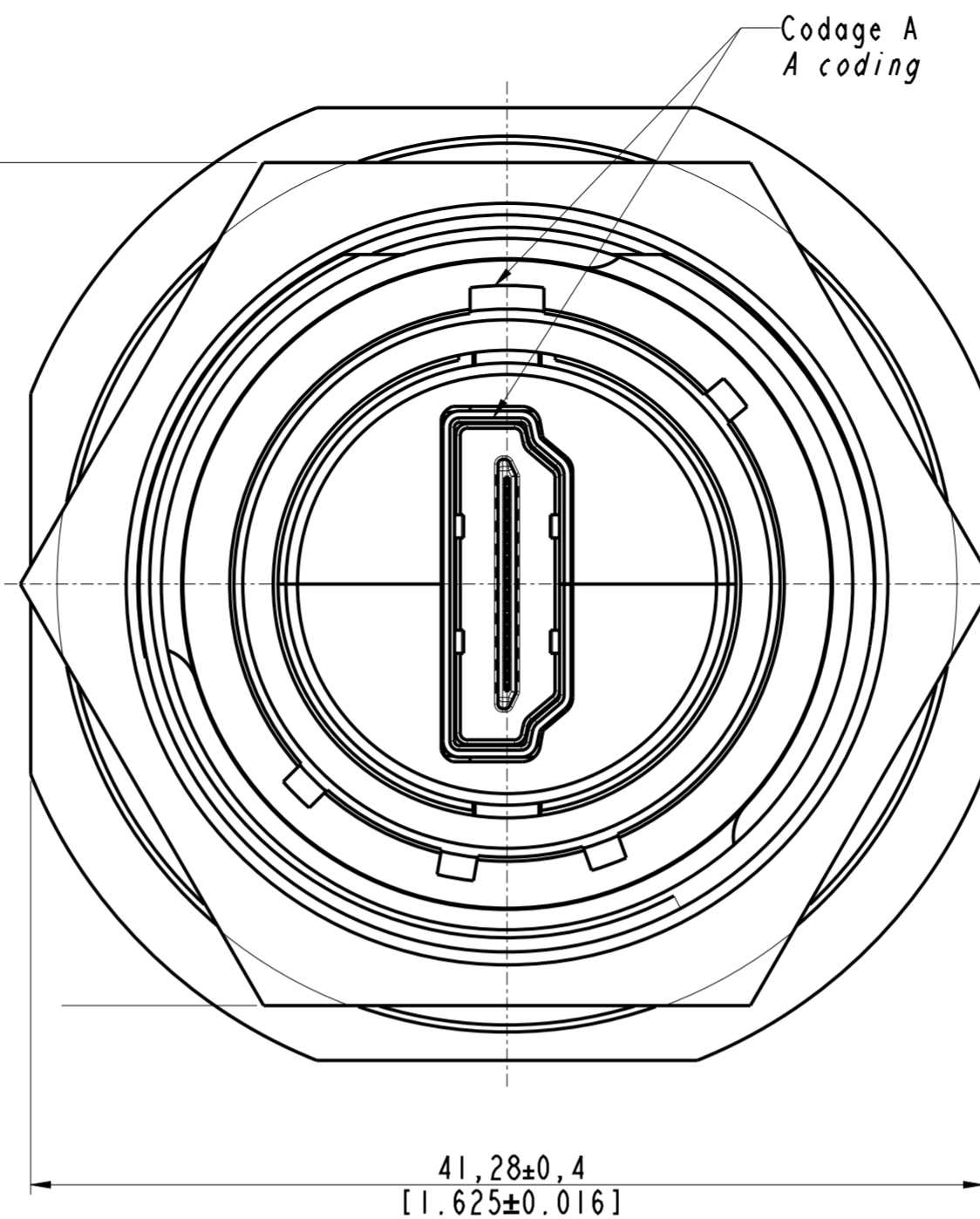


Le joint torique du panneau est livré avec l'embase
Panel o-ring is delivered with the receptacle

36,52^{+0,43}_{-0,41}
[1.438^{+0,017}_{-0,011}]



Affectations des broches:
Pin assignments:

Connecteur côté couplage avant HDMI type A vers
Connecteur arrière HDMI de type A
HDMI type A front coupling side connector to
HDMI type A back side connector

Pin number	Signal assignment	Pin number
1	TMDS Data 2+	1
2	TMDS Data 2 Shield	2
3	TMDS Data 2-	3
4	TMDS Data 1+	4
5	TMDS Data 1 Shield	5
6	TMDS Data 1-	6
7	TMDS Data 0+	7
8	TMDS Data 0 Shield	8
9	TMDS Data 0-	9
10	TMDS Clock+	10
11	TMDS Clock Shield	11
12	TMDS Clock-	12
13	CEC	13
14	Utility	14
15	SCL	15
16	SDA	16
17	DDC/CEC Ground	17
18	+5V Power	18
19	Hot Plug Detect	19

HDMIIF TV 7 x x

Embase
Receptacle

- N: Nickel-RoHS
- G: Cadmium vert olive-Non RoHS
Olive drab cadmium-Not RoHS
- ZN: Zinc nickel noir-RoHS
Black zinc nickel-RoHS
- BZ: Bronze-RoHS
- S: Stainless Steel-RoHS

→ Codages / Codings: A & B

Nota / Note:
Produit utilisable avec un cordon de port d'affichage HDMI type A mâle.
Product usable with male HDMI type A display port cordset.

Dimensions are in mm / [inch]

DRAWN BY: R Reddy	UPDATED BY: -	LAST APPROVED BY: M Rinsant	
ALL DIMENSIONS ARE IN MM	AMPHENOL SOCAPEX		ORIGINAL DRAWING DATE: 02/03/21
SCALE: 3:5	B.P. 29 74311 THYEZ CEDEX		CONFIGURATION DATA ARE AVAILABLE IN PDM
		REV: A	PAGE: 1/1
191-PLC-1038-00			

IN THE CONSTANT PURPOSE OF IMPROVING ITS PRODUCTS, Amphenol Socapex reserves the right to modify any dimension or characteristics. FM.NPD.0037.THYEZ.PUNE.rev.C