

HDMI FTV

HDMI connection system for harsh environment



Description

HDMI FTV is a complete ruggedized solution around HDMI standard using a Tri Start Thread coupling mechanism (MIL-DTL-38999 series III type) to connect the plug and the receptacle.

This solution allows you to insert a standard HDMI cordset into a metallic plug which will protect it from shocks, dust and fluids. The assembly of this ruggedized plug doesn't require any tool and can be easily done directly on the field.

The corresponding HDMI FTV receptacle dedicated to be mounted on your panel allows you to reinforce and protect your system against fluids, dusts, shocks and vibrations.

Main features

Main characteristics :

- Tri Start Thread coupling mechanism (MIL-DTL-38999 series III type) with anti-decoupling device.
- Shell size 17.
- No cabling operation in field and no tools required.
- Improved EMI protection.
- Mating cycles: 500 min.
- Panel thickness : 1,6 mm min and 3,18 mm max for jam nut receptacle.

Data transmission :

- HDMI 2.0 protocol.
- Transmission bandwidth : 18 Gbit/s with 6 Gbit/s per lane.
- Can support 4K UHD (3840 × 2160) at 60 Hz.

Environmental protection :

- Sealed against fluids and dusts : IP68 mated.
- Salt spray: Aluminium shell :
 - Nickel plating ✓ : 48h.
 - Black zinc nickel plating ✓ : 500h.
 - Olive drab cadmium plating : 500h
- Fire retardant/Low smoke : EN45545.
- Vibrations : 10 - 500 Hz, 10 g, 3 axes: no discontinuity > 10 nano s.
- Shocks: IK06 ► weight of 250 g drop from 40 cm [15.75 in].
onto connectors (mated pair).
- Humidity: 21 days, 43°C, 98% humidity.
- Temperature range: -40°C / +85°C.

✓ : RoHS compliant

Markets & Applications



C5ISR, Battlefield,
Ground Vehicles



Navy



Railway



Applications :

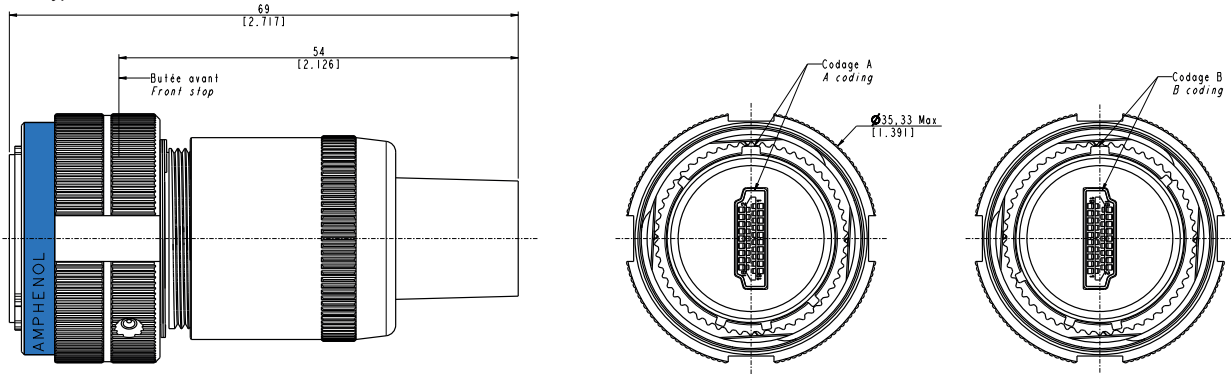
- Displays, Consoles, Visions systems, Situation awareness

Plug

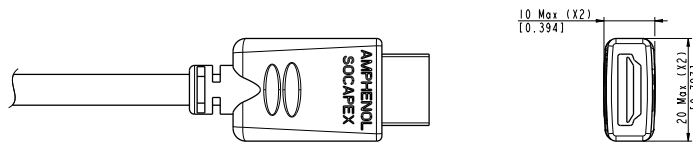
Plug without cordset – Shell type 6

X: see the 'How to order' below to complete your part number

Part number type: **HDMI FTV 6 X X**



HDMI plug recommendation dimensions
(not included)



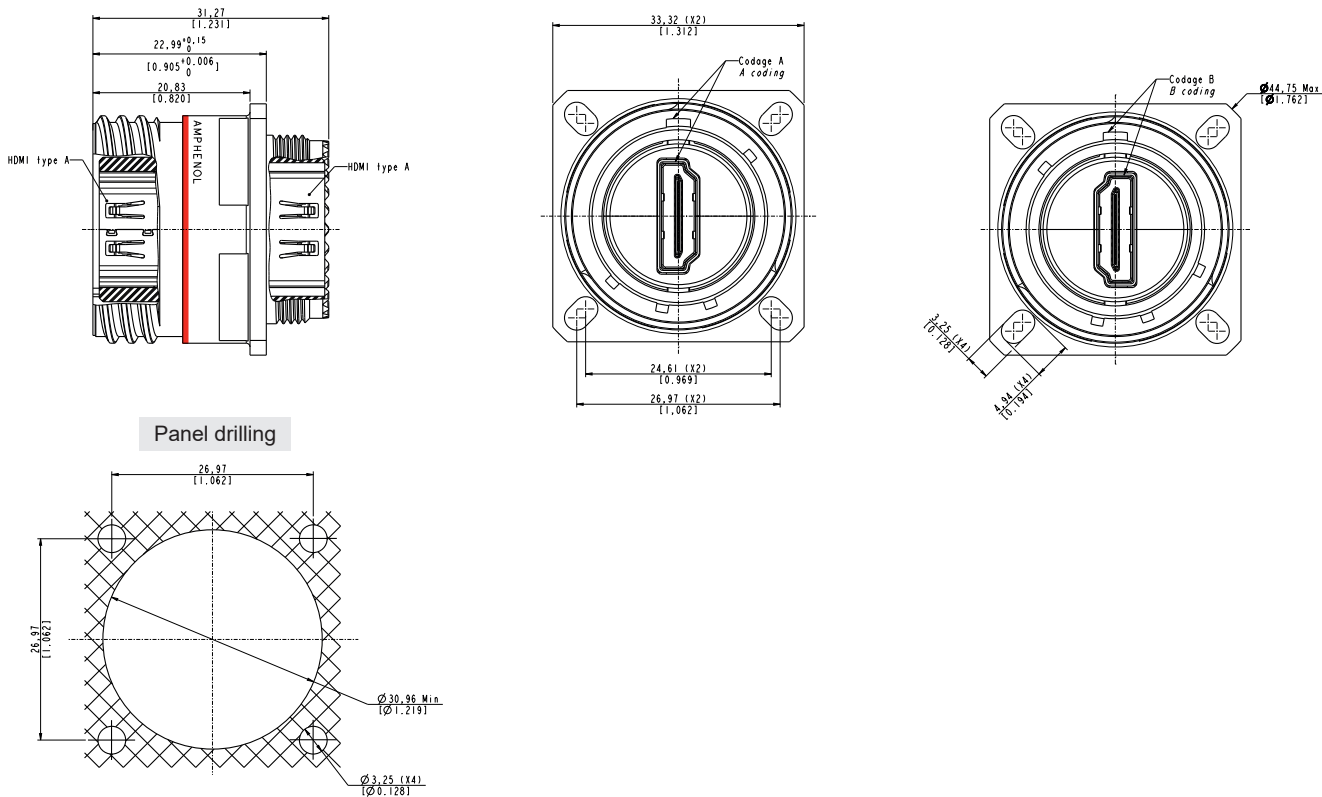
X: see the 'How to order' below to complete your part number

Receptacles

X: see the 'How to order' below to complete your part number

Square flange receptacle - 4 mounting holes – Shell type 2

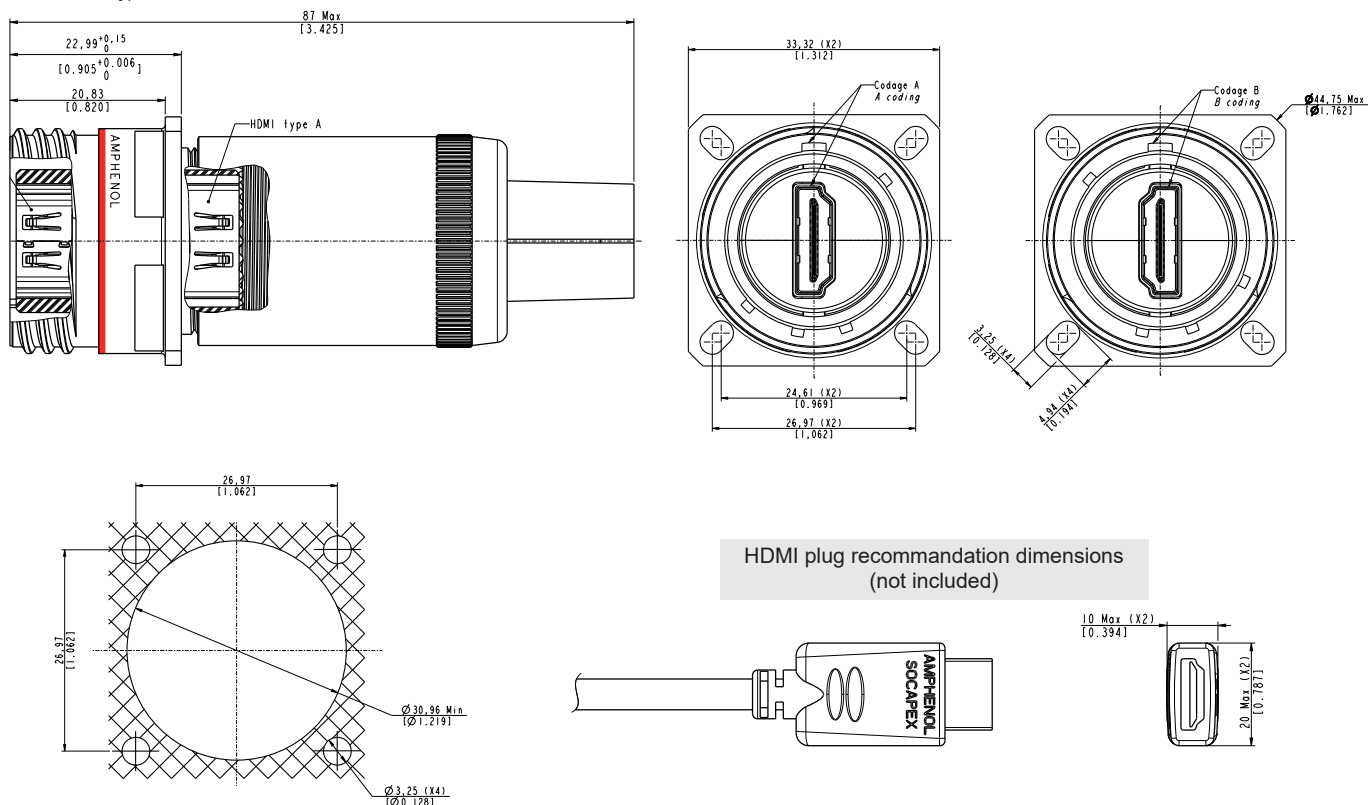
Part number type: **HDMI FTV 2 X X**



Panel drilling

Square flange receptacle - 4 mounting holes – Shell type 2 with backshell

Part number type: **HDMI FTV 2 X PE X**



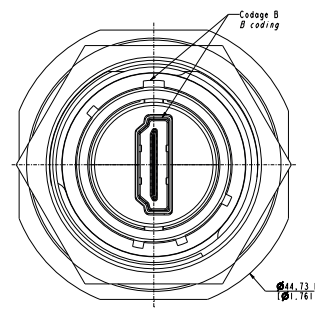
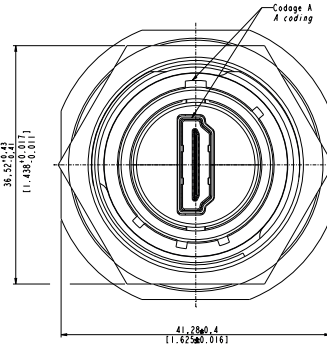
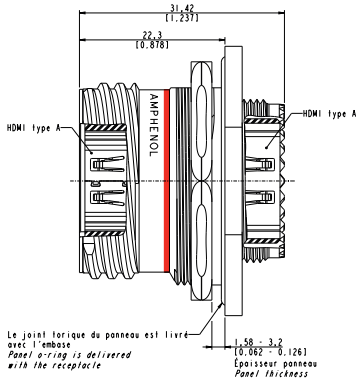
HDMI plug recommendation dimensions (not included)

X: see the 'How to order' below to complete your part number

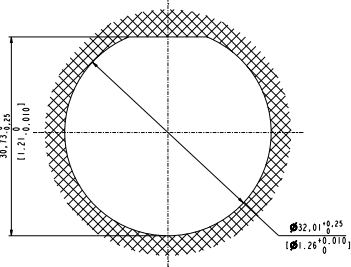
Receptacles

Jam nut receptacle – Hexagonal nut mounting - Shell type 7

Part number type: **HDMI FTV 7 X X**

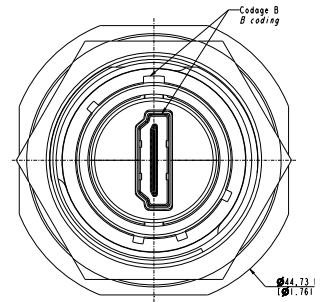
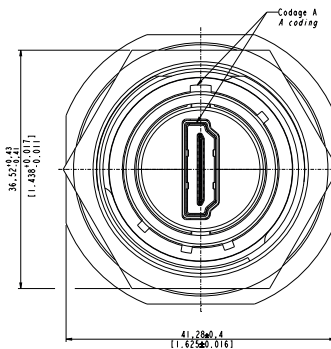
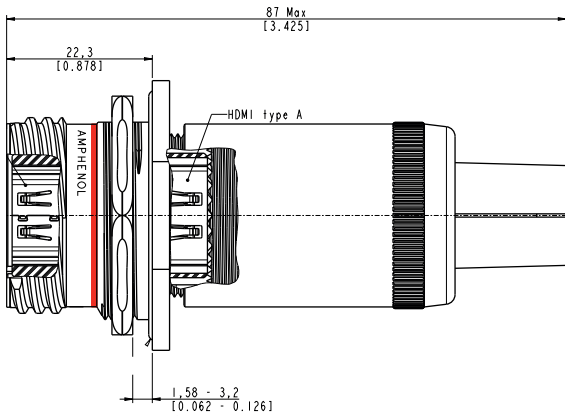


Panel drilling

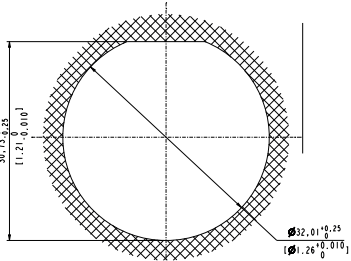


Jam nut receptacle – Hexagonal nut mounting - Shell type 7 with backshell

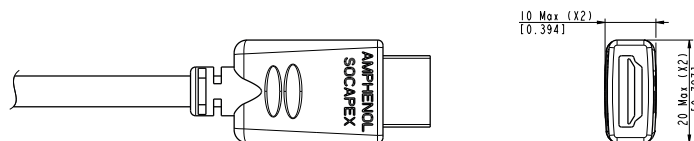
Part number type: **HDMI FTV 7 X PEX**



Panel drilling



HDMI plug recommendation dimensions (not included)

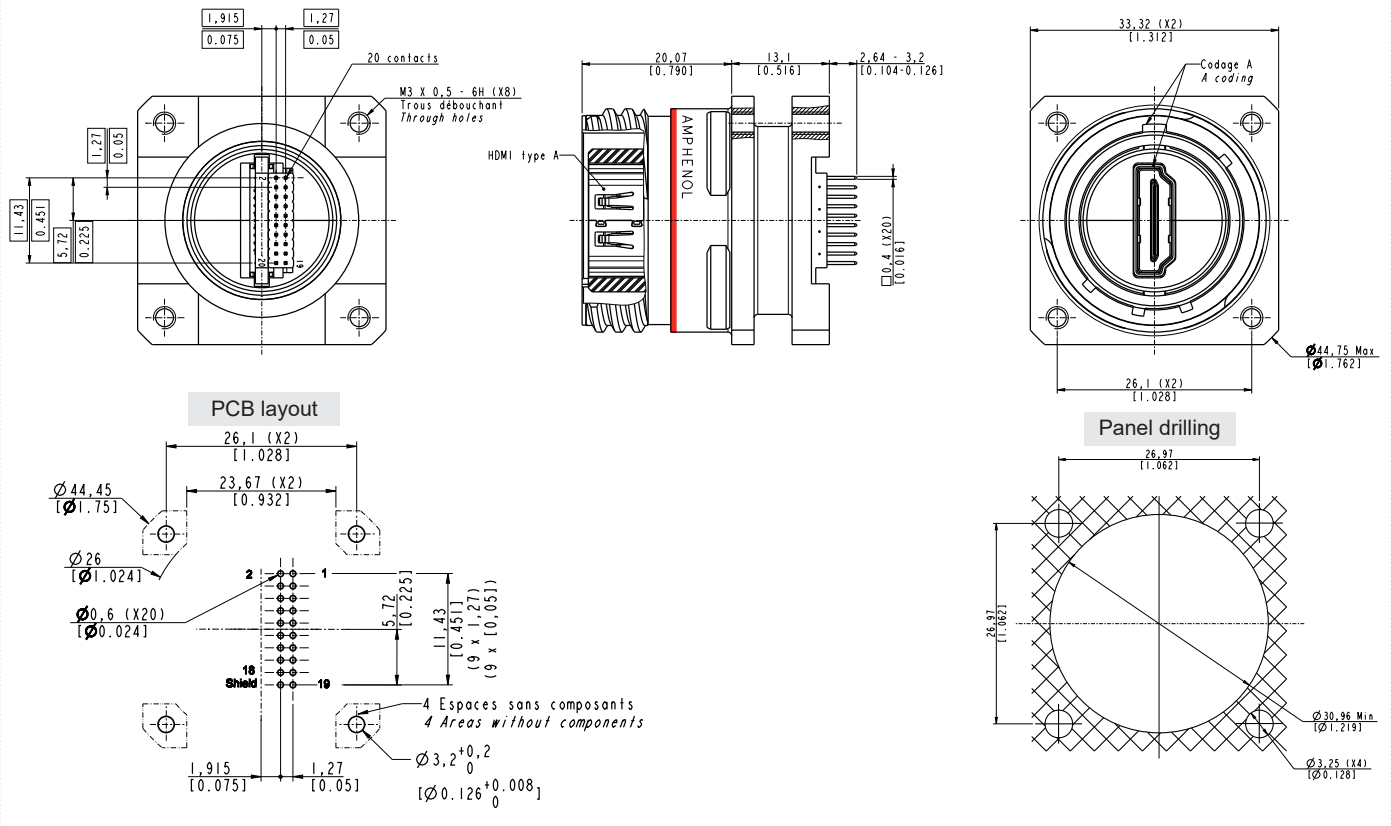


X: see the 'How to order' below to complete your part number

Receptacles

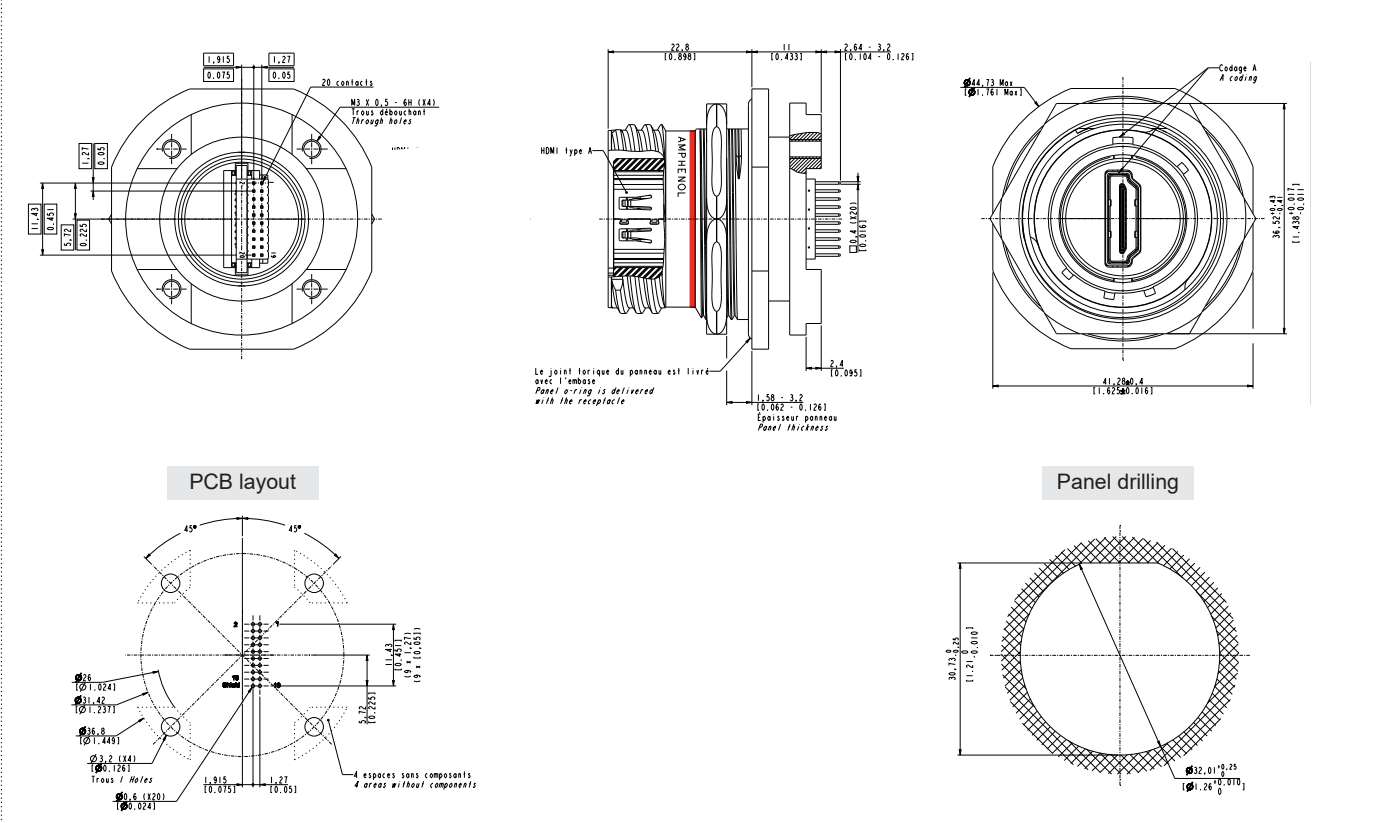
Stand-off Square flange receptacle – 4 mounting holes – Shell type 2 with double flange for PCB mounting

Part number type: **HDMI FTV 2 X X F459**



Stand-off Jam nut receptacle – Hexagonal nut mounting - Shell type 7 with double flange for PCB mounting

Part number type: **HDMI FTV 7 X X F459**

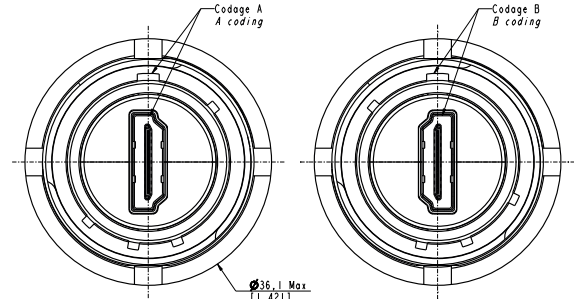
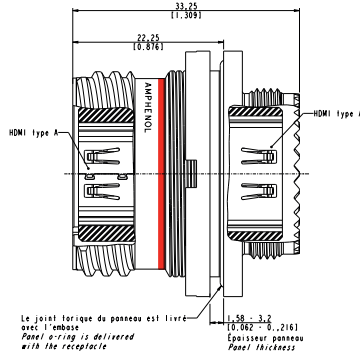


X: see the 'How to order' below to complete your part number

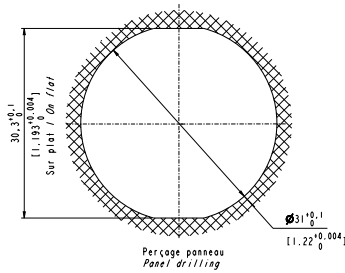
Receptacles

Reduced flange Jam nut receptacle – Shell type 7PE - Castle nut mounting: Deviation F312

Part number type: **HDMI FTV 7 X X F312**

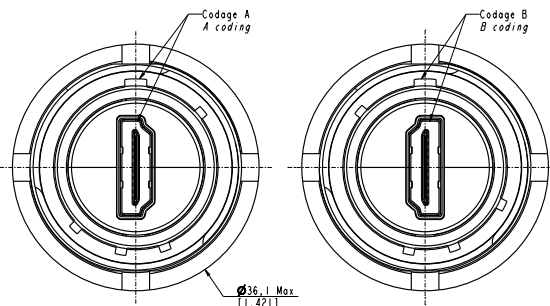
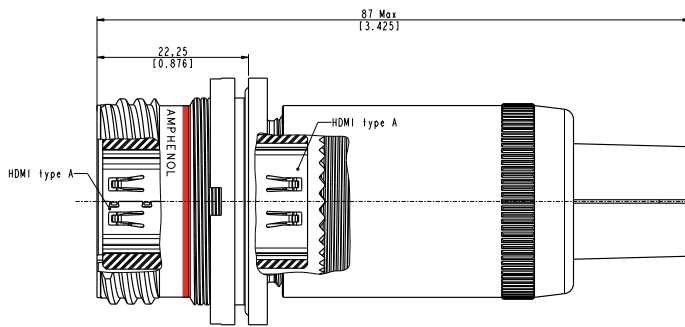


Panel drilling

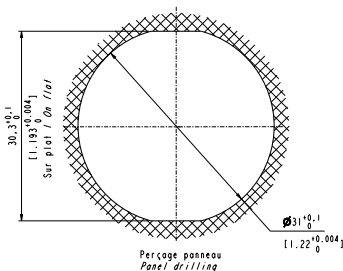


Reduced flange Jam nut receptacle – Shell type 7PE with metal backshell - Castle nut mounting: Deviation F312

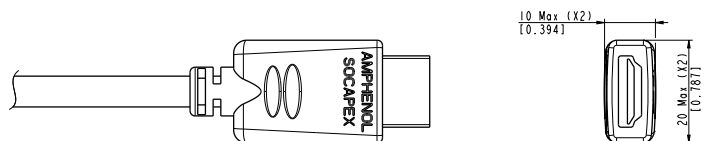
Part number type: **HDMI FTV 7 X PE X F312**



Panel drilling



HDMI plug recommendation dimensions (not included)

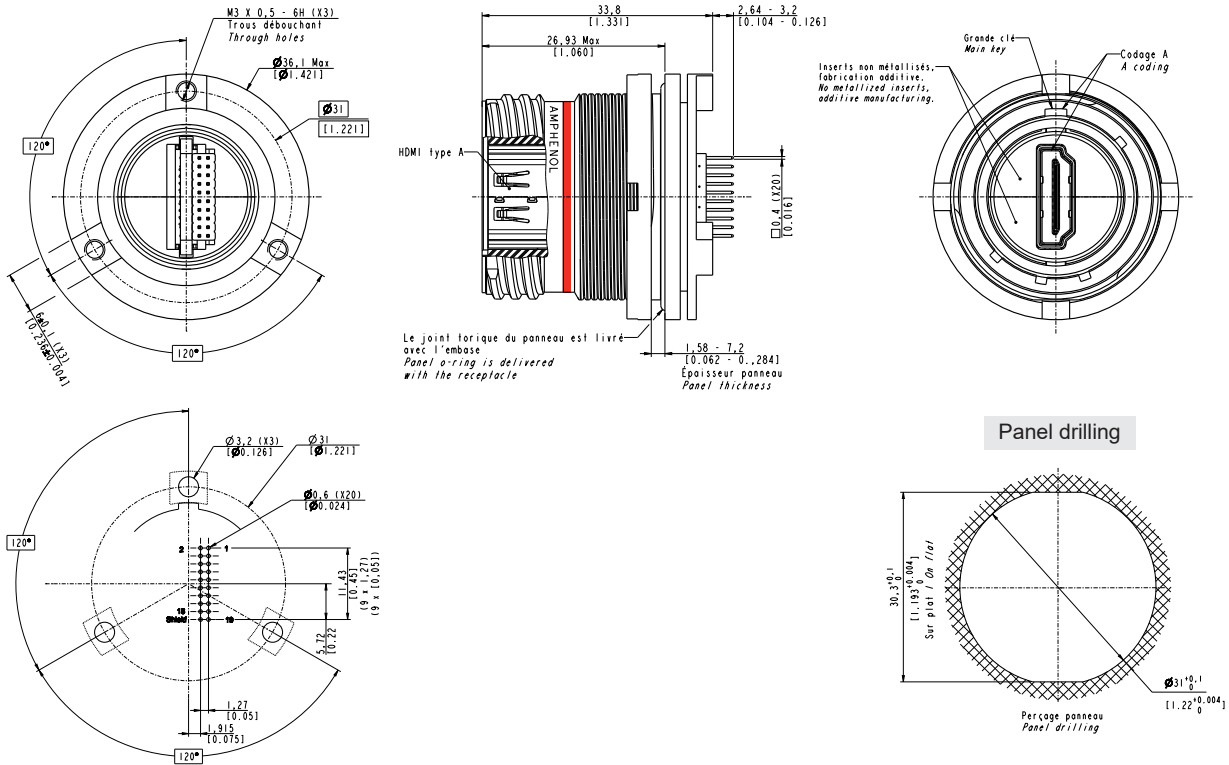


X: see the 'How to order' below to complete your part number

Receptacles

Stand off Reduced flange Jam nut receptacle – Shell type 7 - Castle nut mounting: Deviation F312

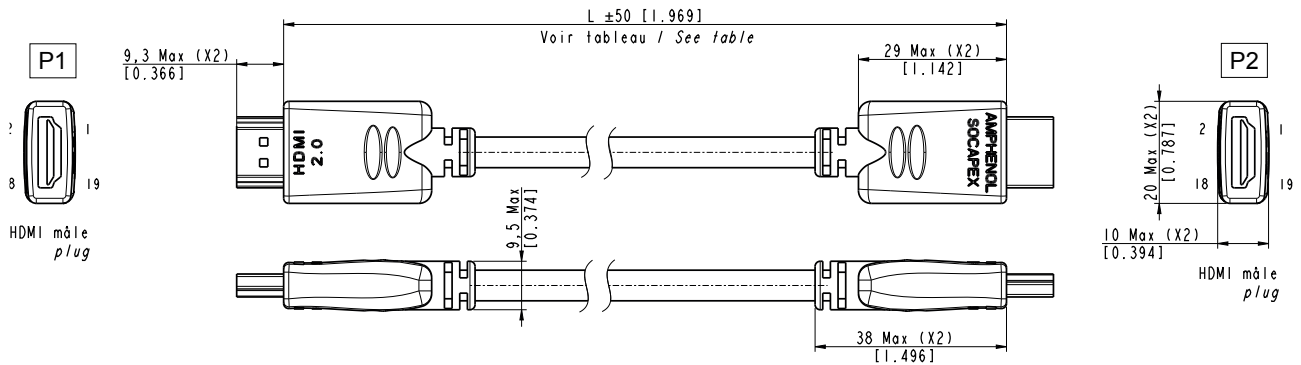
Part number type: **HDMI FTV 7 X X F059**



Cordsets

HDMI to HDMI cordset

Part number type: **HDMI HDMI XXX**



X: see the 'How to order' below to complete your part number

How to order - Connector

1.	2.	3.	4.	5.	6.
Series	Shell type	Coding	Backshell	Material and platings	Deviation
HDMI FTV	7	A	PE	G	F312

1. Series		4. Backshell (for receptacle only)			
HDMI FTV	HDMI	PE	Metal Backshell		
2. Shell type		5. Material and platings			
6	Plug	Shell material		Shell finish	
2	Square flange receptacle	G	Olive drab cadmium		
7	Jam nut receptacle	N	Aluminum	Nickel ✓	
3. Coding		ZN	Black zinc nickel ✓		
A	Coding A	6. Deviation			
B	Coding B	F459	Stand-off receptacle for PCB		
		F312	Reduced flange receptacle		
		F059	Stand-off Reduced flange receptacle for PCB		

How to order - Cordset

1.	2.	3.
Series	Cordset end	Length
HDMI	HDMI	100

1. Series		3. Length	
HDMI	HDMI	050	0,5 m
2. Cordset end		100	1 m
HDMI	HDMI	150	1,5 m
		200	2 m

