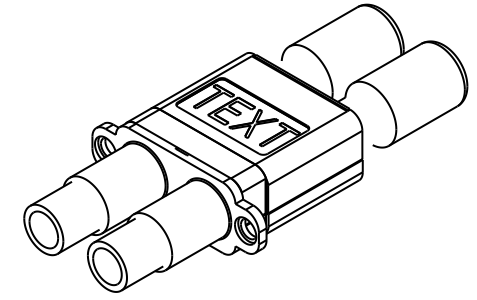


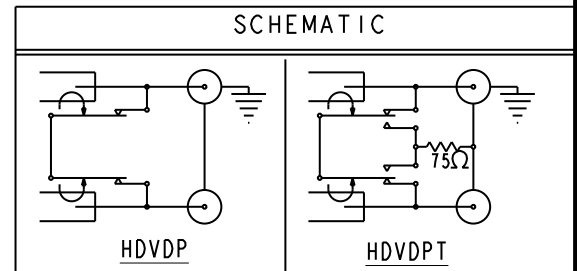
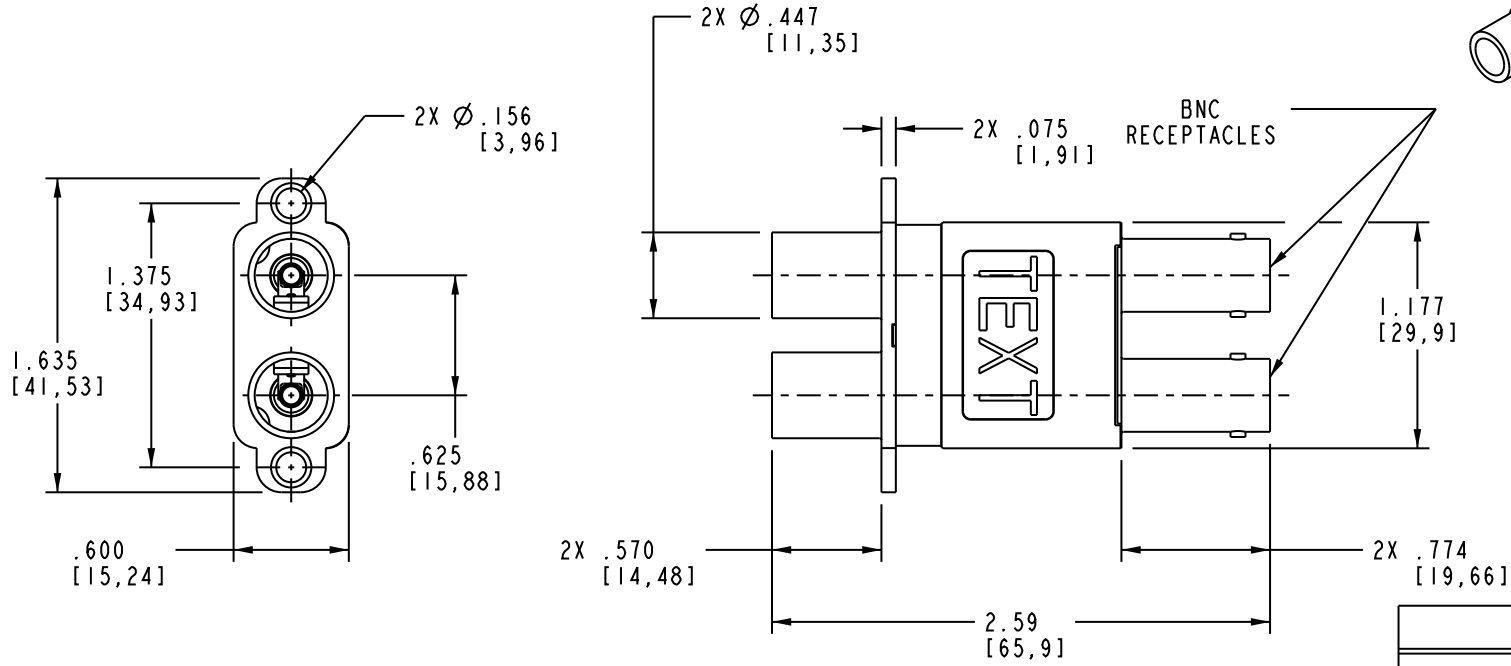
DASH NO	MODEL NO	VERSION
-1	HDVDP	UNTERMINATED
-2	HDVDPT	TERMINATED (75Ω)
-3	HDVDPN	UNTERMINATED, NO ACTUATOR

DATA CONTAINED IN THIS DOCUMENT IS PROPRIETARY TO EMERSON CONNECTIVITY SOLUTIONS AND SHALL NOT BE DISCLOSED, COPIED OR USED FOR PROCUREMENT OR MANUFACTURE WITHOUT EXPRESS WRITTEN PERMISSION

REVISIONS			
REV	DESCRIPTIONS	DATE	APPROVED
B	ECO 52113	2/8/10	T. KOHLER



SCALE 3/4



5. UNIT SUPPLIED WITH TWO 6-32 MOUNTING SCREWS (LOOSE)
4. TERMINATED VERSION (HDVDPT) IS SUPPLIED WITH A 75Ω, 1/4W, 1% RESISTOR
3. FINISH- HOUSING: TFS-1AA Ni
CONTACTS: TFS-1B Au
2. THIS UNIT PERFORMS UP TO 2.0 GHz WITH RETURN LOSS (S11) BETTER THAN -20 dB IN NORMAL-THROUGH MODE AND BETTER THAN -14dB IN PATCH-THROUGH MODE
1. 75Ω HIGH DEFINITION VIDEO DUAL COAXIAL NORMAL-THROUGH PATCH JACK, TERMINATED AND UN-TERMINATED WITH BNC RECEPTACLES

NOTES: UNLESS OTHERWISE SPECIFIED.

INTERPRET DRAWING PER MIL-STD-100. DIMENSIONS ARE IN INCHES AND INCLUDE FINISH THICKNESS UNLESS OTHERWISE SPECIFIED. DRN C. WALLACE 2/17/10 CHK	TOL: UNLESS SPECIFIED. .XX ± .02 [1,5080] .XXX ± .010 [1,2540] ANGLE ± 1°	<p>Cinch Connectivity Solutions 299 Johnson Ave. Ste. 100 Waseca, MN 56093 1-800-247-8256</p>	TITLE: HIGH DEFINITION VIDEO DUAL PATCH
	MATERIAL:		
N/A		SIZE A	CAGE CODE 14949
BLANK LENGTH (REF. ONLY)		DRAWING NO. 1-0664	REV. B
N/A		SCALE 1/1	SHEET 1 OF 2
SURFACE AREA	PROT TITLE NO. 1-0664	DO NOT SCALE DWG	DATE