

## Interactive Catalog Replaces Catalog Pages

Honeywell Sensing and Control has replaced the PDF product catalog with the new **Interactive Catalog**. The **Interactive Catalog** is a power search tool that makes it easier to find product information. It includes more installation, application, and technical information than ever before.



**Click this icon to try the new  
Interactive Catalog.**

---

**Sensing and Control**  
Honeywell Inc.  
11 West Spring Street  
Freeport, Illinois 61032



# Temperature Sensors

## Platinum RTDs

HEL-776/HEL-777



### FEATURES

- Linear resistance vs temperature
- Accurate and interchangeable
- Excellent stability
- Small size
- Printed circuit mountable
- Ceramic SIP package

HEL-776 and HEL-777 platinum RTDs are designed to measure temperatures from  $-55^{\circ}\text{C}$  to  $+150^{\circ}\text{C}$  ( $-67^{\circ}$  to  $302^{\circ}\text{F}$ ) in printed circuit boards, temperature probes, or other lower temperature applications. Solderable leads in 0.050" or 0.100" spacing provide strong connections for wires or printed circuits.

### TYPICAL APPLICATIONS

- HVAC – room, duct and refrigerant equipment
- Instrument and probe assemblies
- Electronic assemblies – temperature compensation
- Process control – temperature regulation

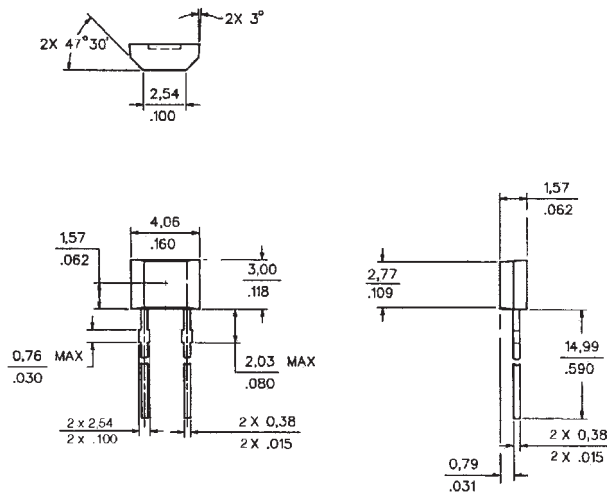
The 1000 $\Omega$ , 375 alpha version, provides 10x greater sensitivity and signal-to-noise. Both are ideal for air temperature sensing.

### ORDER GUIDE

HEL-776-A	Molded SIP pkg. 0.100" lead spacing
HEL-777-A	Molded SIP pkg. 0.100" lead spacing
-U	1000 $\Omega$ , 0.00375 $\Omega/\Omega/^{\circ}\text{C}$
-T	100 $\Omega$ , 0.00385 $\Omega/\Omega/^{\circ}\text{C}$
-0	$\pm 0.2\%$ Resistance Trim (Standard)
-1	$\pm 0.1\%$ Resistance Trim (Optional)

### MOUNTING DIMENSIONS (for reference only) mm/in.

#### HEL-776-A



#### HEL-777-A



Fig. 1: Wheatstone Bridge 2-Wire Interface



Fig. 2: Linear Output Voltage

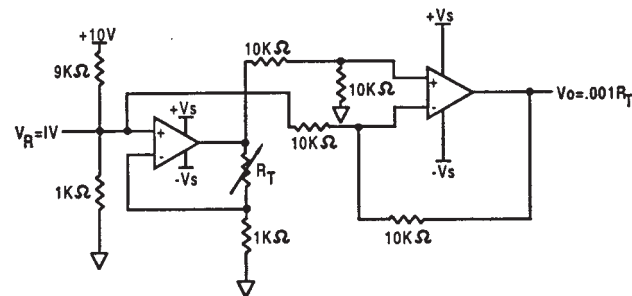


Fig. 3: Adjustable Point (Comparator) Interface



### CAUTION PRODUCT DAMAGE

The inherent design of this component causes it to be sensitive to electrostatic discharge (ESD). To prevent ESD-induced damage and/or degradation, take normal ESD precautions when handling this product.

Temperature