

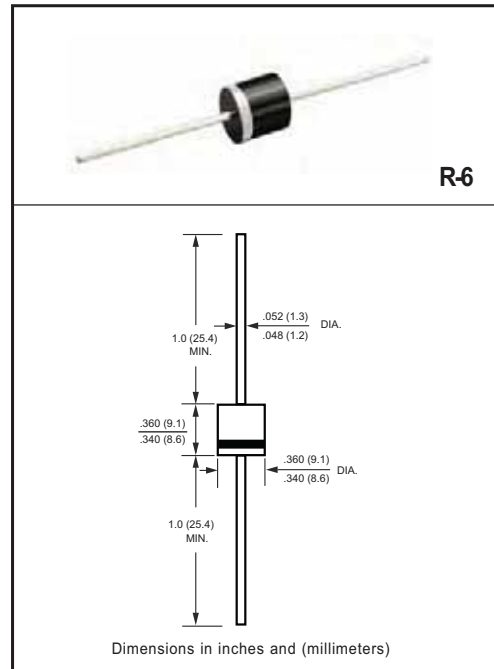
HIGH EFFICIENCY RECTIFIER
VOLTAGE RANGE 50 to 1000 Volts CURRENT 6.0 Amperes

FEATURES

- * Low power loss,high efficiency
- * Low leakage
- * Low forward voltage drop
- * High current capability
- * High speed switching
- * High reliability
- * High current surge

MECHANICAL DATA

- * Epoxy: Device has UL flammability classification 94V-O
- * Case: Molded plastic
- * Lead: MIL-STD-202E method 208C guaranteed
- * Mounting position: Any



MAXIMUM RATINGS AND ELECTRICAL CHARACTERISTICS

Ratings at 25 °C ambient temperature unless otherwise specified.
resistive or inductive load.

MAXIMUM RATINGS (@ TA=25 °C unless otherwise noted)

RATINGS	SYMBOL	HER601G	HER602G	HER603G	HER604G	HER605G	HER606G	HER607G	HER608G	UNITS
Maximum Recurrent Peak Reverse Voltage	V _{RRM}	50	100	200	300	400	600	800	1000	Volts
Maximum RMS Voltage	V _{RMS}	35	70	140	210	280	420	560	700	Volts
Maximum DC Blocking Voltage	V _{DC}	50	100	200	300	400	600	800	1000	Volts
Maximum Average Forward Rectified Current at T _A = 50°C	I _O	6.0								Amps
Peak Forward Surge Current 8.3 ms single half sine-wave superimposed on rated load (JEDEC method)	I _{FSM}	200								Amps
Typical Current Squared Time	I ² T	166								A ² S
Typical Thermal Resistance (Note 1)	R _{θJA}	10								°C/W
Typical Junction Capacitance (Note 2)	C _J	100						65		pF
Operating Temperature Range	T _J	-65 to + 150								°C
Storage Temperature Range	T _{STG}	-65 to + 150								°C

ELECTRICAL CHARACTERISTICS(@TA=25 °C unless otherwise noted)

CHARACTERISTICS	SYMBOL	HER601G	HER602G	HER603G	HER604G	HER605G	HER606G	HER607G	HER608G	UNITS
Maximum Instantaneous Forward Voltage at 6.0A DC	V _F	1.0			1.25		1.70			Volts
Maximum Average Reverse Current at Rated DC Blocking Voltage	I _R	@T _A = 25°C						10		μA
		@T _A = 150°C						10		mA
Maximum Reverse Recovery Time (Note 4)	t _{rr}	50						70		nSec

- NOTES : 1. Thermal Resistance : At 9.5mm lead length,PCB mounted.
 2. Measured at 1 MHz and applied reverse voltage of 4.0 volts.
 3. " ROHS compliant".
 4. Test Conditions: I_F= 0.5A, I_R= -1.0A, I_{RR}= -0.25A.
 5. Available in Halogen-free epoxy by adding suffix -HF after the part nbr.

RATING AND CHARACTERISTICS CURVES (HER601G THRU HER608G)

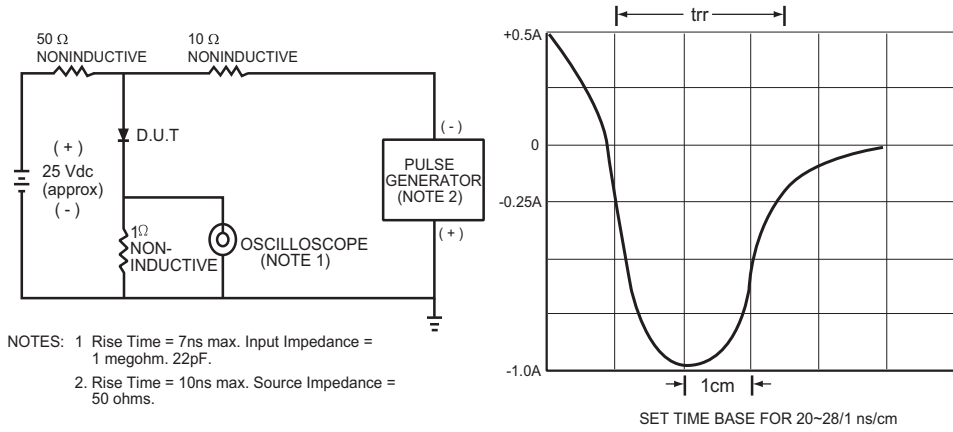


FIG.1 TEST CIRCUIT DIAGRAM AND REVERSE RECOVERY TIME CHARACTERISTIC

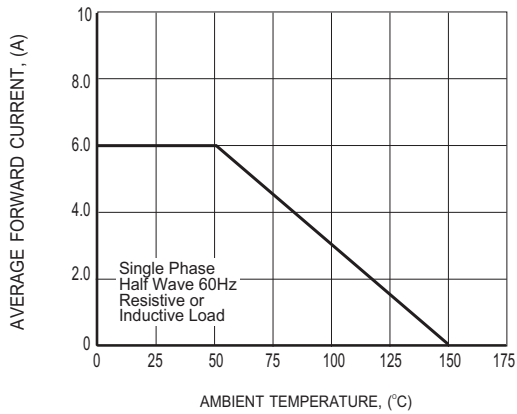


FIG.2 TYPICAL FORWARD CURRENT DERATING CURVE

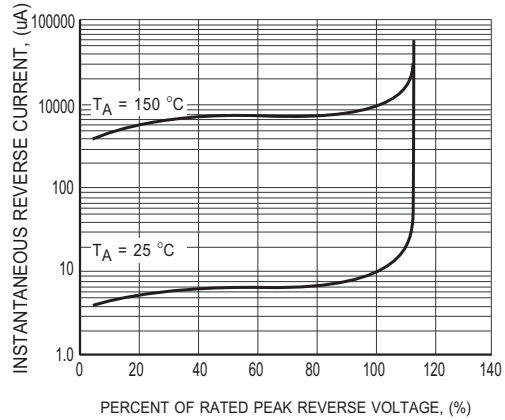


FIG.3 MAXIMUM REVERSE CHARACTERISTICS

RATING AND CHARACTERISTICS CURVES (HER601G THRU HER608G)

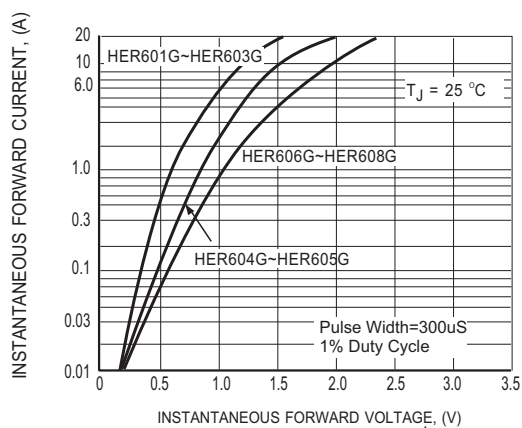


FIG.4 MAXIMUM INSTANTANEOUS FORWARD CHARACTERISTICS

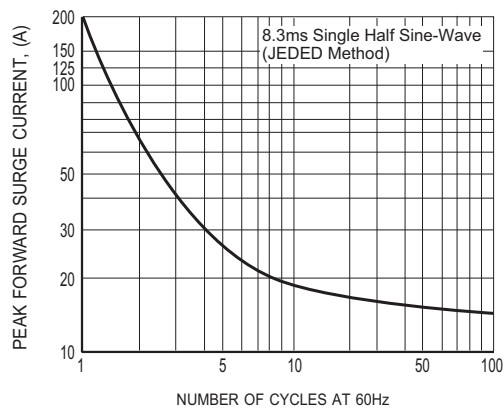


FIG.5 MAXIMUM NON-REPETITIVE FORWARD SURGE CURRENT

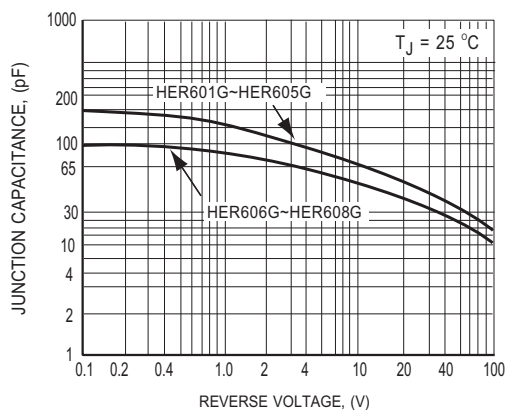
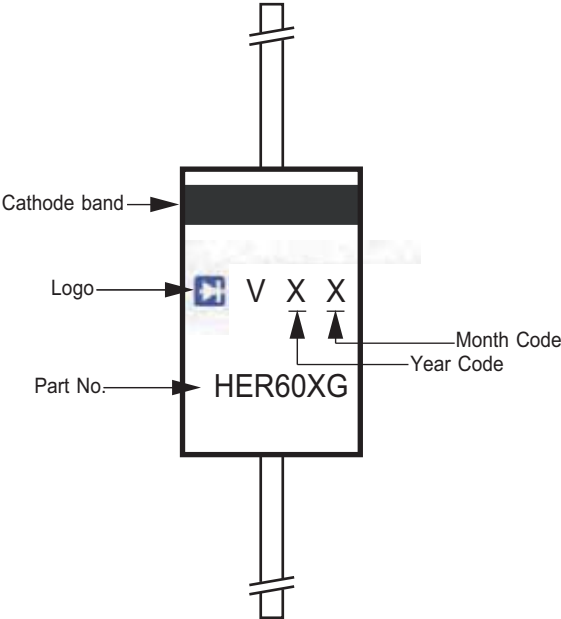


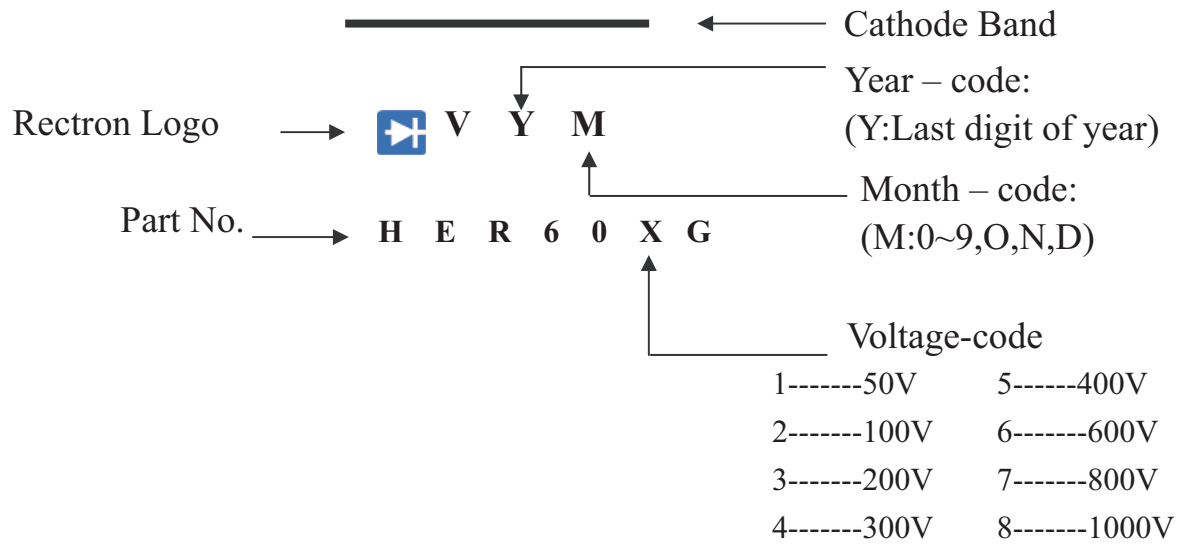
FIG.6 TYPICAL JUNCTION CAPACITANCE

THE MARKING OF HER60XG

Marking Description:



Marking Description



PACKAGING OF DIODE AND BRIDGE RECTIFIERS

BULK PACK

PACKAGE	PACKING CODE	EA PER BOX	INNER BOX SIZE (mm)	CARTON SIZE (mm)	EA PER CARTON	GROSS WEIGHT(Kg)
R-6/R-7	-B	200	300*73*40	347*320*271	4,800	12.93/14.57

REEL PACK

PACKAGE	PACKING CODE	EA PER REEL	EA PER INNER BOX	COMPONENT SPACE (mm)	TAPE SPACE (mm)	REEL DIA (mm)	CARTON SIZE (mm)	EA PER CARTON	GROSS WEIGHT(Kg)
R-6/R-7	-T	800	800	9.5	52	330	355*350*335	3,200	9.72/9.91

AMMO PACK

PACKAGE	PACKING CODE	REEL (EA)	COMPONENT SPACE(mm)	TAPE SPACE (mm)	BOX SIZE (mm)	CARTON SIZE(mm)	CARTON (EA)	GROSS WEIGHT (Kg)
R-6/R-7	-F	300	9.5	52	255*73*100	400*268*225	3,000	8.5/8.7