

TRON™ single-pole in-line fuse holders for solid neutral



HET

An HEB fuse holder with a permanently-installed solid neutral. Easily identified by white plastic coupling nut.

Non-breakaway holders

Catalog symbol

HET-AA, HET-AB, HET-BB, HET-JJ, and HET-JK

(For breakaway holders, see page 3)

In-line fuse holders, single-pole

Recommended torque on coupling nut

10-20 lb-in (1.1-2.2 N•m)

Dust and water-resistant

IP68 rating per IEC 60529 (2 m under water for 24 hours)

Insulating boots

See page 2 for boot reference and ordering information.

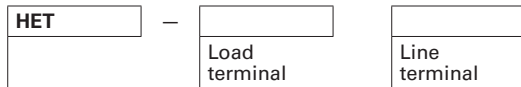
Example

A single-pole, in-line holder for a neutral is required. One solid copper #8 is on the load side, copper crimp for connection. A solid copper #6 is on the line side, and a copper crimp is required.

1. Choose HET-
2. Choose "A" for load side
3. Choose "B" for line side

Complete catalog number: HET-AB

Ordering information

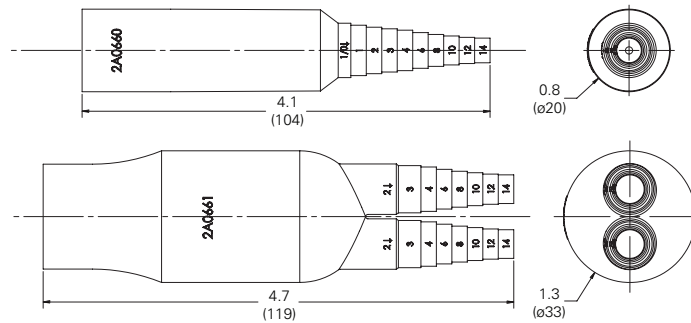


Use these part numbers to order insulating boots for a non-breakaway holder:

Catalog no.	Description
2A0660	Single conductor
2A0661	Dual conductor

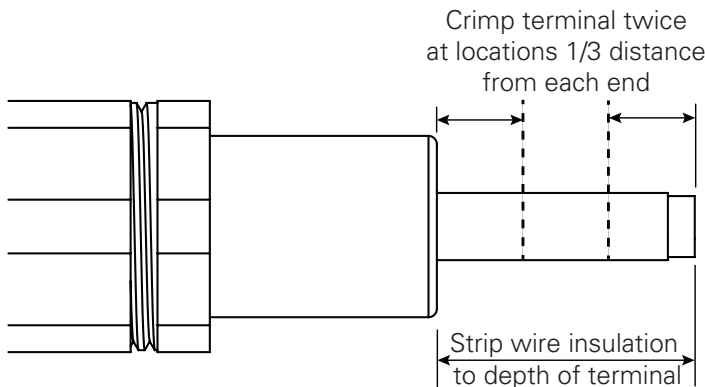


Boot reference



Installation instructions

Strip wire insulation equal to the depth of the crimp or screw terminal. Torque screw terminal to 35 lb-In (3.9 N•m) or crimp terminal twice, spacing crimps a distance of one-third from each end (as shown below) using an appropriate crimp tool and die.



Catalog and specification data

Terminal type	Conductor data			Catalog symbol
	Size	No. Per terminal	Solid Stranded	
Copper crimp	#12 to #8	1	• •	A
	#12	2	• •	
	#10	2	• •	B
	#6	1	• •	
#4	1	• •		
Copper set-screw	#12 to #3	1	• •	J
	#12 to #2	2	• •	K
Aluminum Set-Screw	#12 to #2	1	• •	L

Insulating boots are **not** included with **non-breakaway** parts and must be ordered separately. They come standard with the breakaway fuse holders. The HET-AW & HET-JW do not have the boots. These catalog items do not have a breakaway receptacle.

When boots are utilized, extra heat retention requires that fuses are sized at a minimum of 200% of the RMS load current.

Related products

Catalog no.	Description	Data sheet no.
HEB*	One-pole 13/32" x 1-1/2" supplemental in-line fuse holder	2127
HEZ	One-pole class CC in-line fuse holder	2130
HEX HEY	Double-pole fuse holder for class CC and 13/32" x 1-1/2" fuses	2126
NNB	13/32" x 1-1/2" neutral dummy link (not a fuse)	—

* Bussmann series HEB in-line fuse holders are the legacy Bussmann TRON HEB in-line fuse holders.

† See terminal data tables for exceptions.