

HIGH FREQUENCY BALUN ADAPTOR

For: SMPTE-292M HDTV
Ruggedized



- ⚙ Transforms 100Ω balanced differential signal to 75Ω , grounded unbalanced signal
- ⚙ Designed for SMPTE-292M HDTV application at 1.485GBs data rate
- ⚙ Storage Temperature: -55°C to +125°C
- ⚙ Moisture Sensitivity Level: 1

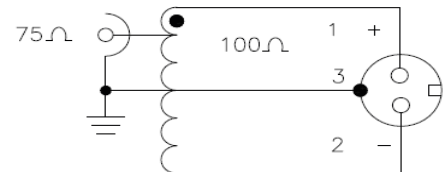
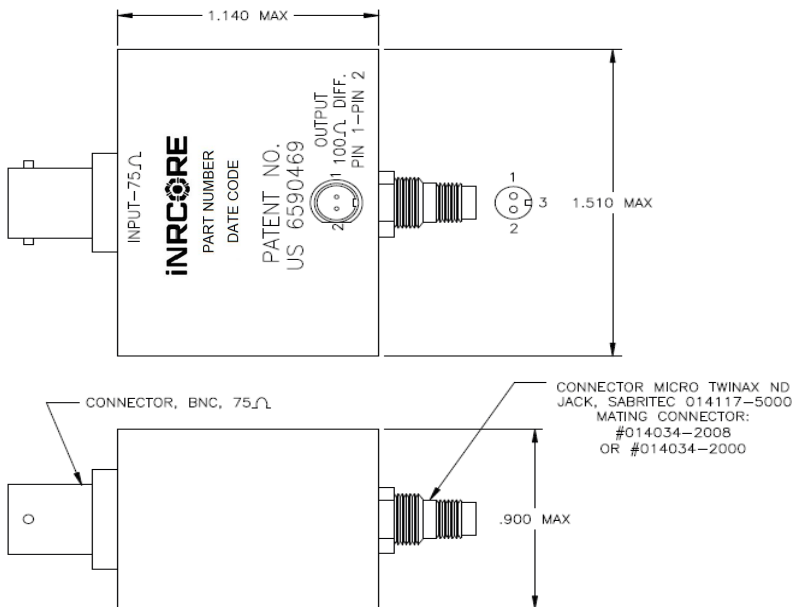
Electrical Specifications @ 25 °C – Operating Temperature – 55 °C to +125 °C

Part Number	Impedance Unbalanced	Impedance Balanced	Insertion Loss db MAX. 1.485 GBs	Jitter Dj pSec. Max. 1.485 GBs, PN7
HFB075100A	75	100	-2.0	110.0
HFB075100B	75	100	-2.0	110.0
HFBL075100A	75	100	-2.0	110.0
HFBL075100B	75	100	-2.0	110.0

Mechanical

Electrical Schematic

HFB075100A



HIGH FREQUENCY BALUN ADAPTOR

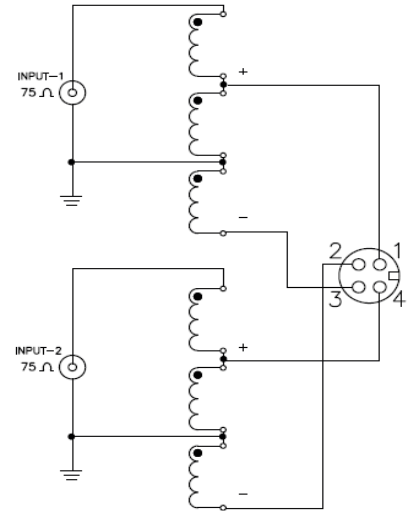
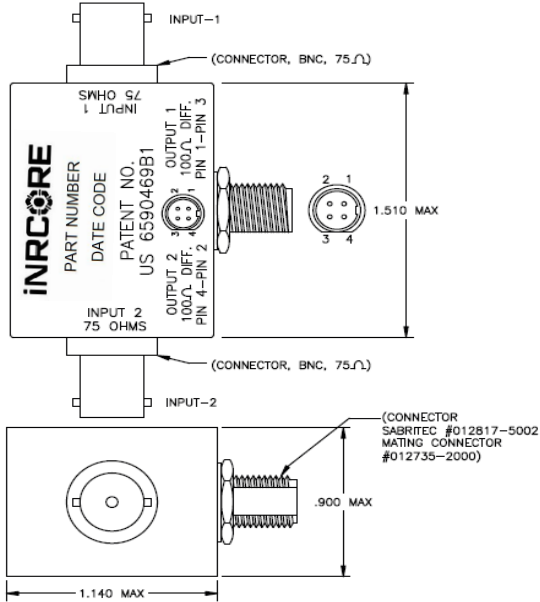
For: SMPTE-292M HDTV
Ruggedized



Mechanical

Electrical Schematic

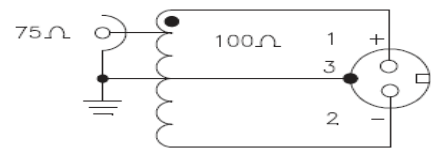
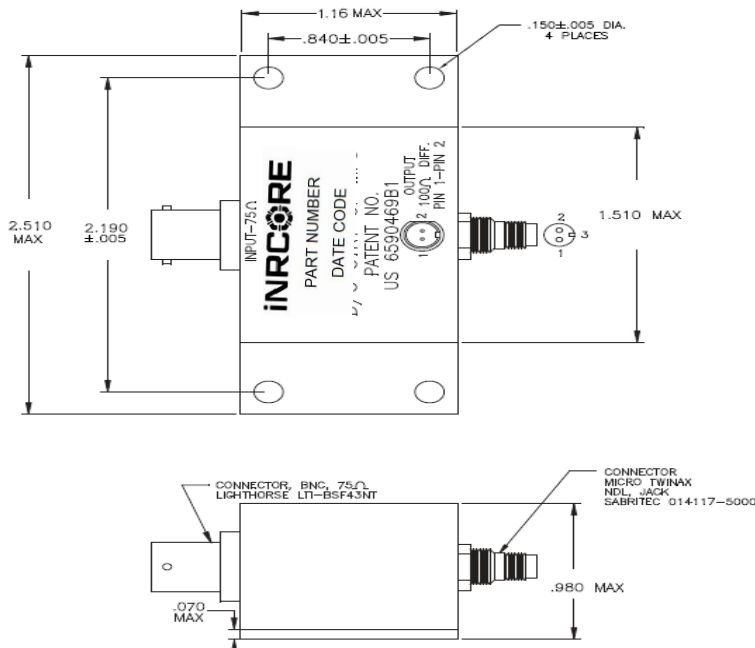
HFB075100B



Mechanical

Electrical Schematic

HFB075100A



HIGH FREQUENCY BALUN ADAPTOR

For: SMPTE-292M HDTV
Ruggedized



Mechanical

Electrical Schematic

HFBL075100B

