

# High-Frequency Balun Adaptors for SMPTE-424M HDTV



- Transforms 100Ω balanced differential signal to 75Ω, grounded, unbalanced signal
- Designed for SMPTE-424M HDTV application at 2.973GBs data rate
- Operating Temperature: -55°C to +125°C
- Moisture Sensitivity Level: 1

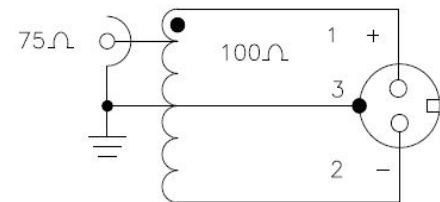
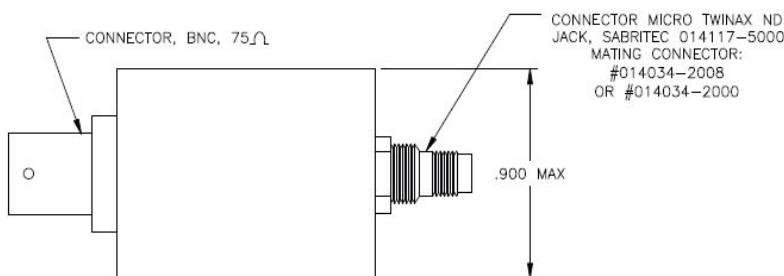
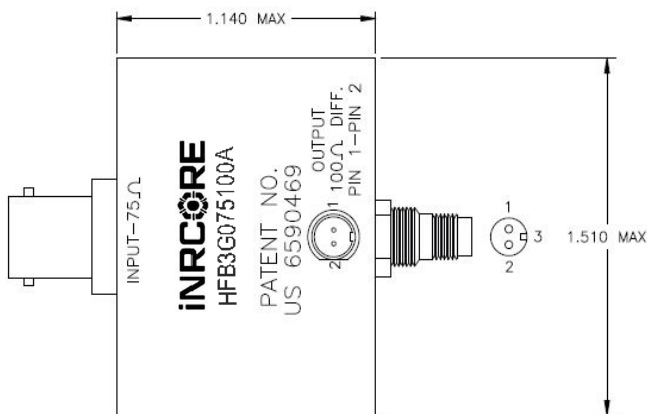
## Electrical Specifications @ 25°C - Operating Temperature -55°C to 125°C

| Part Number   | Impedance Unbalanced | Impedance Balanced | Insertion Loss db MAX. 2.973 GBs | Jitter Dj pSec. Max. 2.973 GBs, PN7 |
|---------------|----------------------|--------------------|----------------------------------|-------------------------------------|
| HFB3G075100A  | 75                   | 100                | -1.0                             | 65.0                                |
| HFB3G075100B  | 75                   | 100                | -1.0                             | 65.0                                |
| HFB3GL075100A | 75                   | 100                | -1.0                             | 65.0                                |
| HFB3GL075100B | 75                   | 100                | -1.0                             | 65.0                                |

## Mechanical

## Schematic

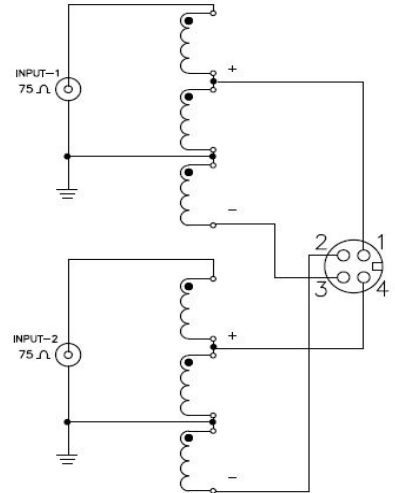
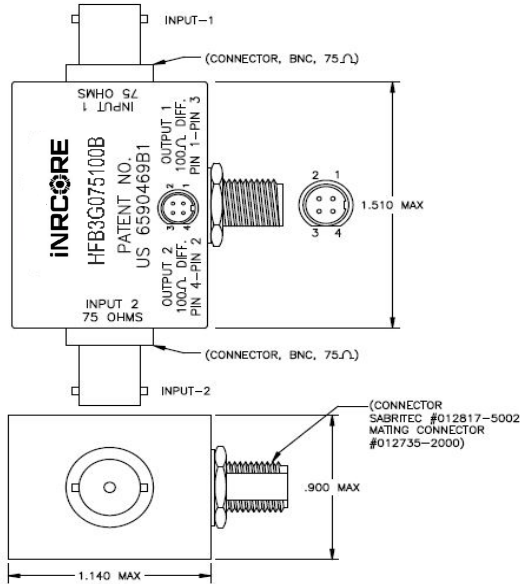
### HFB3G075100A



**Mechanical**

**Schematic**

**HFB3G075100B**



**Mechanical**

**Schematic**

**HFB3GL075100A**

