

High-Frequency Balun Adaptors for SMPTE-424M HDTV



- Transforms 100Ω balanced differential signal to 75Ω, grounded, unbalanced signal
- Designed for SMPTE-424M HDTV application at 2.973GBs data rate
- Operating Temperature: -55°C to +125°C
- Moisture Sensitivity Level: 1

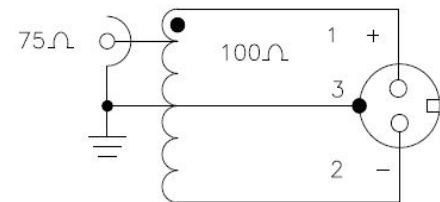
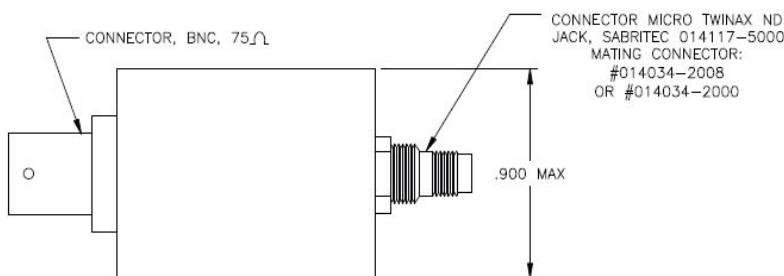
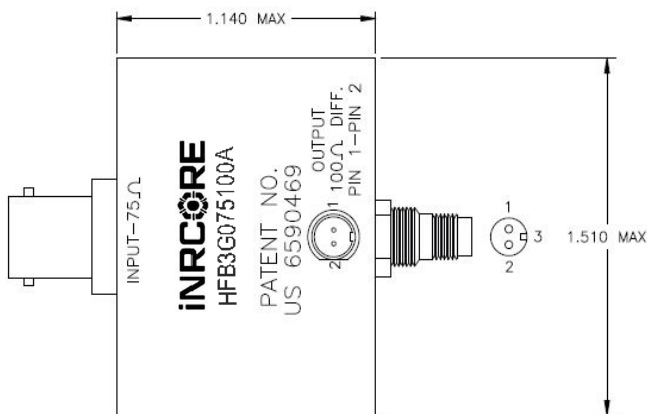
Electrical Specifications @ 25°C - Operating Temperature -55°C to 125°C

Part Number	Impedance Unbalanced	Impedance Balanced	Insertion Loss db MAX. 2.973 GBs	Jitter Dj pSec. Max. 2.973 GBs, PN7
HFB3G075100A	75	100	-1.0	65.0
HFB3G075100B	75	100	-1.0	65.0
HFB3GL075100A	75	100	-1.0	65.0
HFB3GL075100B	75	100	-1.0	65.0

Mechanical

Schematic

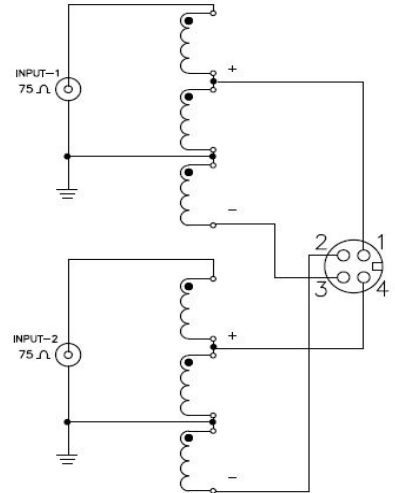
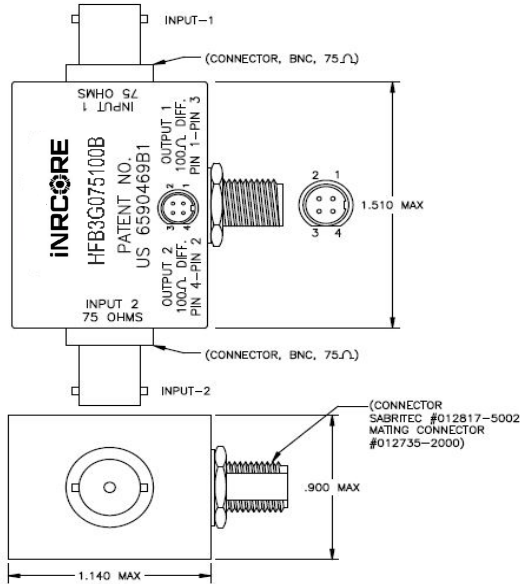
HFB3G075100A



Mechanical

Schematic

HFB3G075100B



Mechanical

Schematic

HFB3GL075100A

