

# High-Frequency Balun Adaptors for SMPTE-424M HDTV



- ⚙️ Transforms 150Ω balanced differential signal to 75Ω, grounded, unbalanced signal
- ⚙️ Designed for SMPTE-424M HDTV application at 2.973GBs data rate
- ⚙️ Operating Temperature: -55°C to +125°C
- ⚙️ Moisture Sensitivity Level: 1

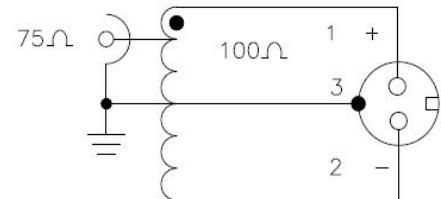
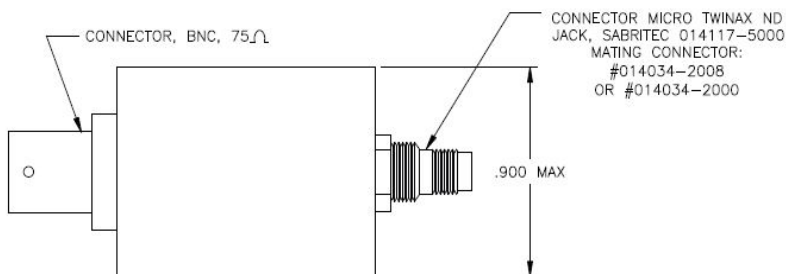
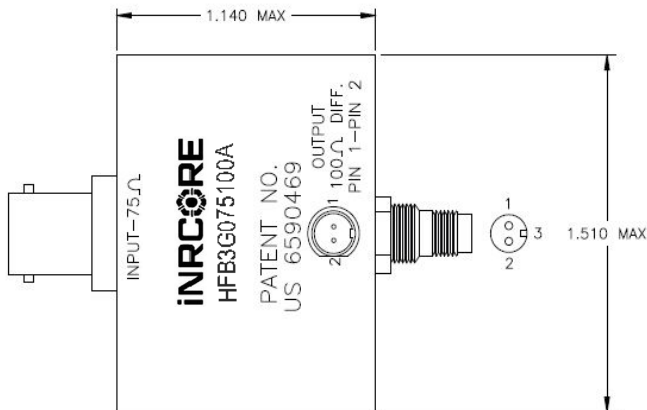
## Electrical Specifications @ 25°C - Operating Temperature -55°C to 125°C

Part Number	Impedance Unbalanced	Impedance Balanced	Insertion Loss db MAX. 2.973 GBs	Jitter Dj pSec. Max. 2.973 GBs, PN7
HFB3G075150A	75	150	-1.0	65.0
HFB3G075150B	75	150	-1.0	65.0
HFB3GL075150A	75	150	-1.0	65.0
HFB3GL075150B	75	150	-1.0	65.0

## Mechanical

## Schematic

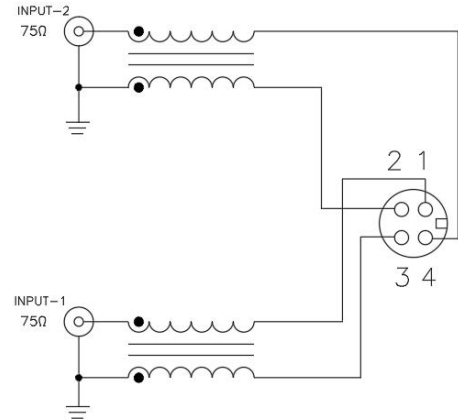
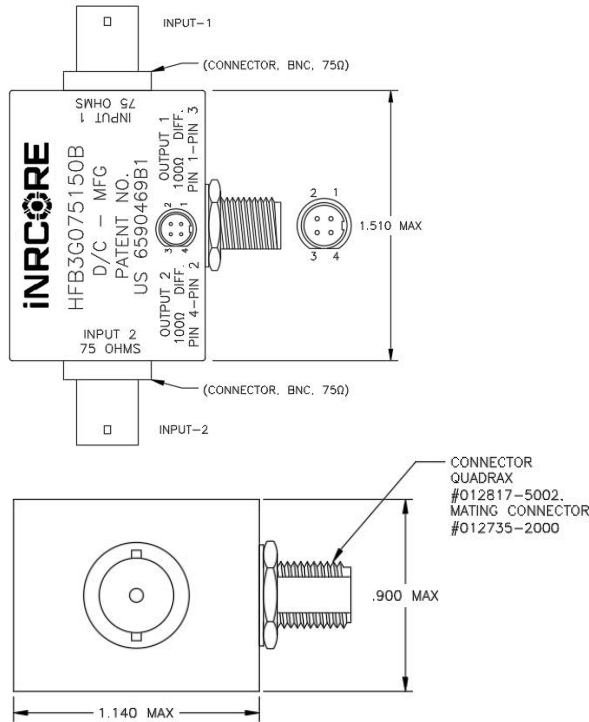
### HFB3G075150A



## Mechanical

## Schematic

### HFB3G075150B



## Mechanical

## Schematic

### HFB3GL075150A

