

# High Frequency Balun Adaptor

For SMPTE-292M HDTV

Ruggedized



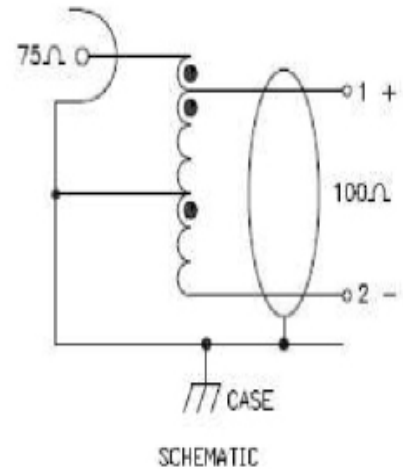
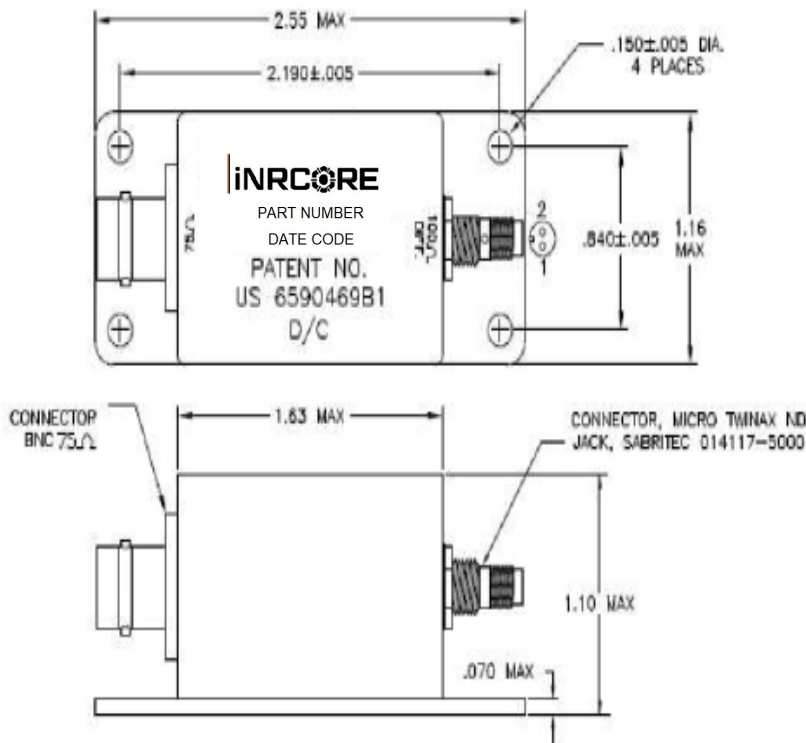
- ⚙️ Transforms 100Ω balanced differential signal to 75Ω grounded unbalanced signal
- ⚙️ 75Ω Connector: BNC
- ⚙️ Designed for SMPTE-292M HDTV application at 1.485GBs data rate
- ⚙️ Designed for flight application with super Environmental , EMI and corrosion protection
- ⚙️ Moisture Sensitivity Level: 1

## Electrical Specifications @ 25 °C – Operating Temperature – 55°C to +125 °C

Part Number	Impedance Unbalanced	Impedance Balanced	Insertion Loss db MAX. 1.485 GBs	Jitter Dj pSec. Max. 1.485 GBs, PN7
HFBM075100S	75	100	-2.0	110

### Mechanical

### Electrical Schematic



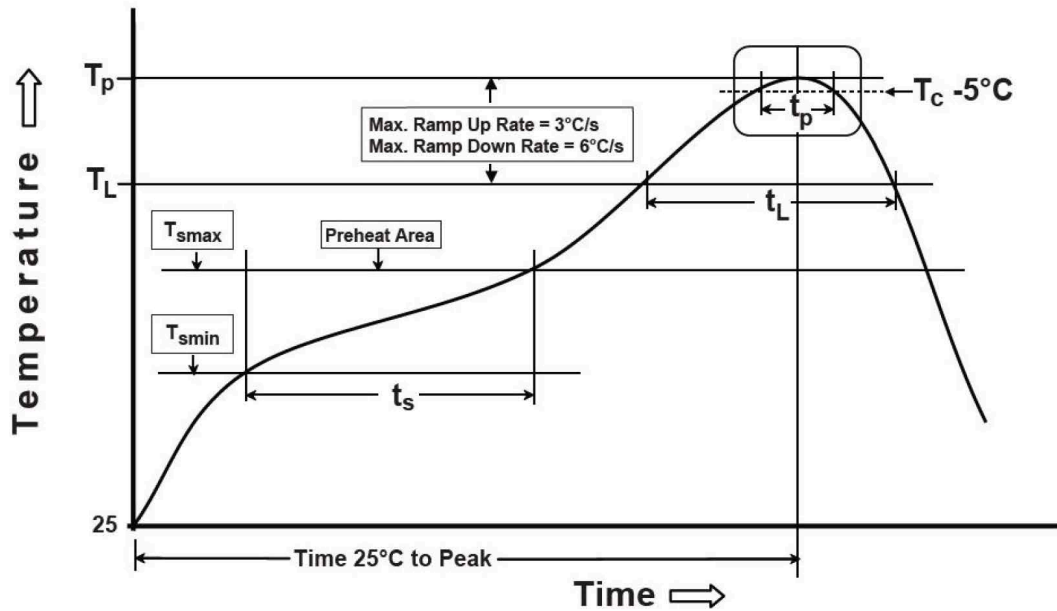
# High Frequency Balun Adaptor

For SMPTE-292M HDTV

Ruggedized



## Tin/Lead Recommended Reflow Profile (Based on J-STD-020D)



$T_{SMIN}$ (°C)	$T_{SMAX}$ (°C)	$T_L$ (°C)	$T_P$ (°C MAX)	$t_s$ (s)	$t_L$ (s)	$t_p$ (s MAX)	Ramp-up rate ( $T_L$ to $T_P$ )	Ramp-down rate ( $T_P$ to $T_L$ )	Time 25°C to peak temperature (s MAX)
100	150	183	235	60-120	60-150	20	3°C/s MAX	6°C/s MAX	360

Notes:

1. All temperatures measured on the package leads.
2. Maximum times of reflow cycle: 2.

### For More Information

iNRCORE, LLC  
 311 Sinclair Road Bristol,  
 PA 19007-6812 U.S.A  
 Tel: + 1.215.781.6400  
 Fax: +1.215.7816430

### Global Sales Representatives and Locations:

<http://www.incore.com>

Performance warranty of products offered on this data sheet is limited to the parameters specified. Data is subject to change without notice. Other brand and product names mentioned herein may be trademarks or registered trademarks of their respective owners. © Copyright, 2020. iNRCORE, LLC. All rights reserved.

