



CERAMIC

High Pass Filter

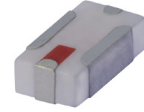
HFCN-9700+

Mini-Circuits

50Ω 9700 to 16980 MHz

THE BIG DEAL

- Small size (0.12 x 0.06 x .04")
- Temperature stable
- Excellent power handling, 7W
- Hermetically sealed
- Low cost



Generic photo used for illustration purposes only

CASE STYLE: FV1206-4

+RoHS Compliant

The +Suffix identifies RoHS Compliance. See our web site for RoHS Compliance methodologies and qualifications

APPLICATIONS

- Electronic warfare exciters and receivers
- Sub-harmonic rejection
- Transmitters/receivers
- Lab use

PRODUCT OVERVIEW

New High Pass Filter HFCN-9700+ is an LTCC based filter, that extends the upper frequency cutoff range of the existing HFCN series to 9.7 GHz. Systems that previously relied on large distributed filter elements to support these lower frequencies can save space and system complexity by integrating the HFCN-9700+ into new designs. These filters are offered in a EIA 1206 package size and have a typical stop band rejection of 32 dB.

KEY FEATURES

Feature	Advantages
Small Size	Available in the size of typical resistors or capacitors (EIA 1206), the ultra small HFCN series integrates an entire high pass filter into a simple SMT chip form factor.
High Power Handling	The HFCN series can withstand up to 7W CW signal without damage making this filter ideal for use in medium power to transmit paths.
Temperature Stability	Over a 155°C operating temperature range (-55°C to +100°C), the HFCN series ceramic filters typically exhibit low pass band insertion loss variation.
High Rejection	Achieving 32dB rejection from DC-6770 MHz; the HFCN-9700+ provides a versatile high pass configuration for many up converter applications.

REV. A
ECO-012120
HFCN-9700+
AD/CP/AM
220302





CERAMIC

High Pass Filter

HFCN-9700+

ELECTRICAL SPECIFICATIONS^{1,2} AT 25°C

Parameter	F#	Frequency (MHz)	Min.	Typ.	Max.	Units
Stop Band	DC-F1	DC - 6770	25	32	—	dB
	F1-F2	DC - 7550	18	27	—	
	Freq. Cut-Off	F3	9070	—	3.0	dB
	VSWR	DC-F2	DC - 7550	—	20	:1
Pass Band	F4-F7	9700 - 16980	—	1.0	3.0	dB
	F5-F6	11460 - 16570	—	0.8	2.0	dB
	VSWR	F4-F7	9700 - 16980	—	1.8	:1

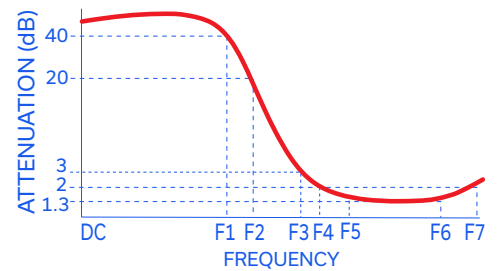
- 1. In Application where DC voltage is present at either input or output ports, dc de-coupling capacitors are required.
- 2. Measured on Mini-Circuits Characterization Test Board TB-860+.
- 3. Referenced to mid-band loss, 1 dB typ.

MAXIMUM RATINGS

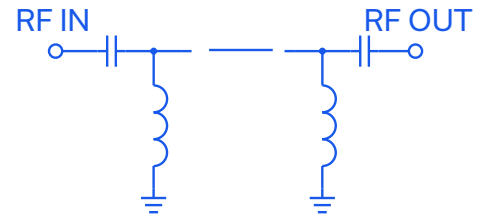
Parameter	Ratings
Operating temperature	-55°C to +100°C
Storage temperature	-55°C to +100°C
RF Power Input ³	7W max. at 25°C

- 3. Passband rating, derate linearly to 3W at 100°C ambient. Permanent damage may occur if any of these limits are exceeded.

TYPICAL FREQUENCY RESPONSE



FUNCTIONAL SCHEMATIC





CERAMIC

High Pass Filter

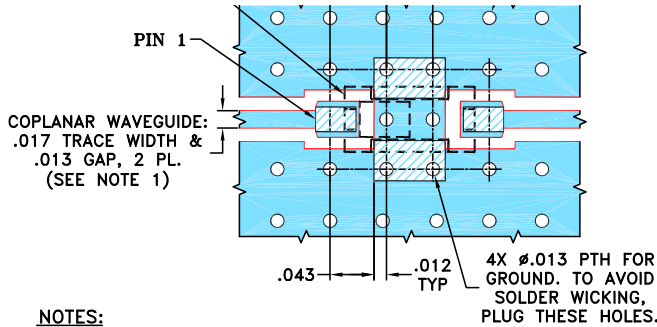
HFCN-9700+

PIN CONNECTIONS

RF IN	1
RF OUT	3
GROUND	2,4

PRODUCT MARKING: EE

DEMO BOARD MCL P/N: TB-860+
SUGGESTED PCB LAYOUT (PL-487)

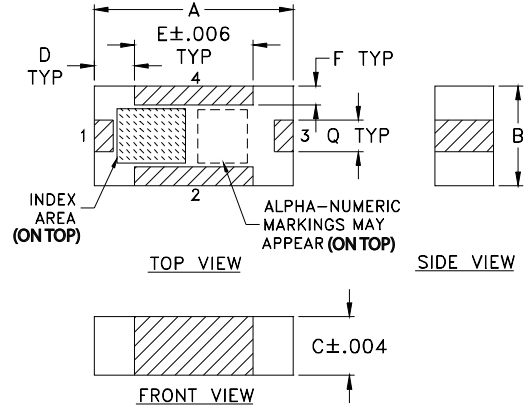


NOTES:

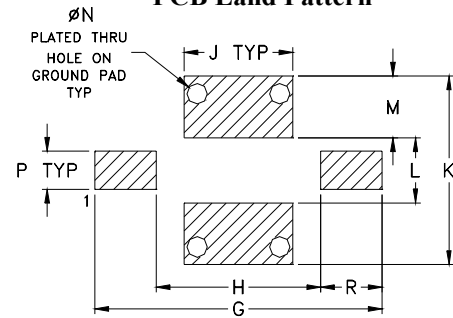
- TRACE WIDTH AND GAP ARE SHOWN FOR ROGERS RO4350B WITH DIELECTRIC THICKNESS .010" ± .001". COPPER: 1/2 OZ. EACH SIDE. FOR OTHER MATERIALS TRACE WIDTH AND GAP MAY NEED TO BE MODIFIED.
- BOTTOM SIDE OF THE PCB IS CONTINUOUS GROUND PLANE.

- DENOTES PCB COPPER LAYOUT WITH SMOBC (SOLDER MASK OVER BARE COPPER)
- DENOTES COPPER LAND PATTERN FREE OF SOLDER MASK

OUTLINE DRAWING



PCB Land Pattern



Suggested Layout,
Tolerance to be within ±.002

OUTLINE DIMENSIONS (Inches mm)

A	B	C	D	E	F	G	H	J
.126	.063	.037	.026	.075	.012	.182	.104	.069
3.20	1.60	0.94	0.66	1.91	0.30	4.62	2.64	1.75
K	L	M	N	P	Q	R	wt	
.119	.041	.039	.013	.024	.020	.039	grams	
3.02	1.04	0.99	0.33	0.61	0.51	0.99	.020	

TAPE & REEL INFORMATION: F75