

# General Accessories

## Mounting Material

### Types FRS, HF, SM, FMD, PL



**Front mounting bezel type FRS 2**  
 For front panel mounting of S-housing timers. Front mounting bezel and S-housing snap together.

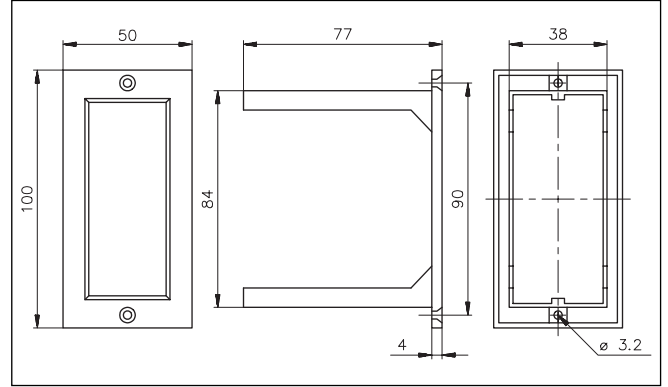
**Material**  
**Colour**  
**Panel cutout**

Glassfilled Noryl SE1  
 Light grey  
 84 x 38 mm

**FRS 2**



**FRS 2 on a relay**



**Hold down spring type HF**  
 For additional fixing of Scantimer- and S-housings in places with strong vibrations.

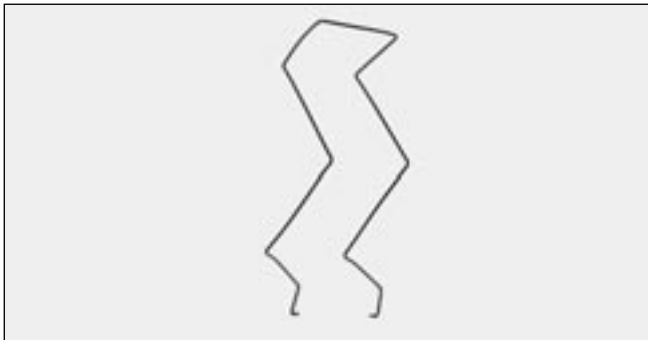
**Material**

Stainless steel spring wire

**HF**

To be used with socket type S 411 or D 411 B.

**HF mounted on relay**

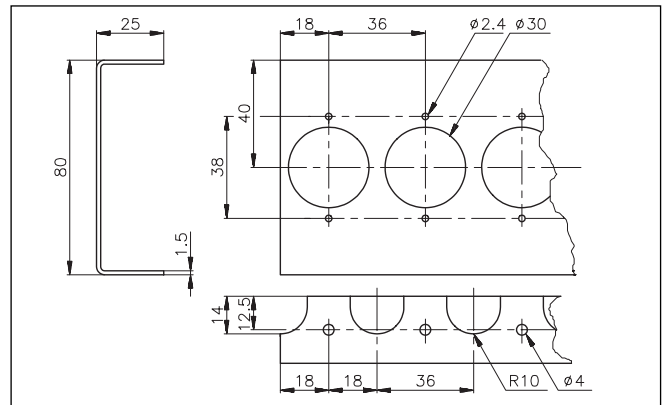


**Mounting rack type SM 13**  
 Mounting rack for 27 relays (S 108 and S 111).

**Material**  
**Length, standard**

1.5 mm electroplated iron  
 970 mm

**SM 13**



## Mounting Material (cont.)

### DIN-rail type FMD 411

Mounting rail for socket type D 411 B, which is snapped on FMD 411. For surface fixing by means of two screws.

### Material Dimensions

Electroplated steel  
35 x 35 mm

### FMD 411



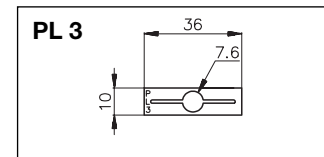
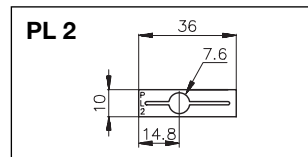
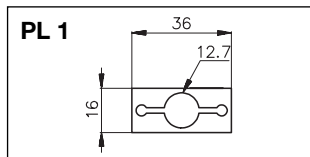
### Potentiometer lock, types PL 1, PL 2, PL 3

For locking of potentiometer on Scantimer and S-housing timer. The potentiometer lock snaps to front of housing. Fitting potentiometer into the aperture of the lock secures the time set on knob-adjustable timers.

### Material

Transparent polycarbonate

### PL 1, PL 2, PL 3



**PL 1** For timers with  $\varnothing$  13 mm knobs.

**PL 2** For timers with  $\varnothing$  8 mm knobs.

**PL 3** For timers with  $\varnothing$  8 mm knobs.