

**SURFACE MOUNT GLASS PASSIVATED  
HIGH EFFICIENCY SILICON RECTIFIER**  
VOLTAGE RANGE 50 to 1000 Volts CURRENT 3.0 Ampere

**FEATURES**

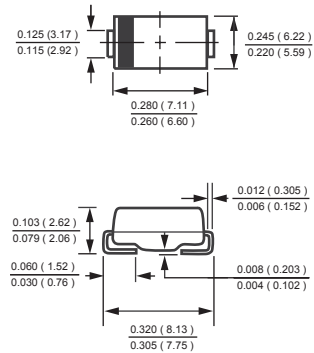
- \* Glass passivated device
- \* Ideal for surface mounted applications
- \* Low leakage current
- \* Metallurgically bonded construction
- \* Mounting position: Any
- \* Weight: 0.24 gram

**MECHANICAL DATA**

- \* Epoxy: Device has UL flammability classification 94V-0



DO-214AB



Dimensions in inches and (millimeters)

**MAXIMUM RATINGS AND ELECTRICAL CHARACTERISTICS**

Ratings at 25 °C ambient temperature unless otherwise specified.  
Single phase, half wave, 60 Hz, resistive or inductive load.  
For capacitive load, derate current by 20%.

**MAXIMUM RATINGS (@ TA=25 °C unless otherwise noted)**

RATINGS	SYMBOL	HFM301	HFM302	HFM303	HFM304	HFM305	HFM306	HFM307	HFM308	UNITS	
Maximum Recurrent Peak Reverse Voltage	$V_{RRM}$	50	100	200	300	400	600	800	1000	Volts	
Maximum RMS Voltage	$V_{RMS}$	35	70	140	210	280	420	490	700	Volts	
Maximum DC Blocking Voltage	$V_{DC}$	50	100	200	300	400	600	800	1000	Volts	
Maximum Average Forward Rectified Current at $T_A = 50^\circ\text{C}$	$I_O$	3.0								Amps	
Peak Forward Surge Current 8.3 ms single half sine-wave superimposed on rated load (JEDEC method)	$I_{FSM}$	200				150			Amps		
Typical Thermal Resistance (Note 1)	$R_{\theta JL}$	15									$^\circ\text{C/W}$
Typical Thermal Resistance (Note 1)	$R_{\theta JA}$	60									$^\circ\text{C/W}$
Typical Junction Capacitance (Note 2)	$C_J$	70				50				pF	
Operating Temperature Range	$T_J$	150									$^\circ\text{C}$
Storage Temperature Range	$T_{STG}$	-55 to + 150									$^\circ\text{C}$

**ELECTRICAL CHARACTERISTICS (@TA=25 °C unless otherwise noted)**

CHARACTERISTICS	SYMBOL	HFM301	HFM302	HFM303	HFM304	HFM305	HFM306	HFM307	HFM308	UNITS	
Maximum Instantaneous Forward Voltage at 3.0A DC	$V_F$	1.0		1.3		1.7			Volts		
Maximum Full Load Reverse Current, Full cycle Average $T_A = 55^\circ\text{C}$	$I_R$	50									$\mu\text{A}$
Maximum Average Reverse Current @ $T_A = 25^\circ\text{C}$		5									$\mu\text{A}$
at Rated DC Blocking Voltage @ $T_A = 125^\circ\text{C}$		150									$\mu\text{A}$
Maximum Reverse Recovery Time (Note 4)	$t_{rr}$	50				75				nSec	

- NOTES : 1. Thermal Resistance : Mounted on PCB.  
2. Measured at 1 MHz and applied reverse voltage of 4.0 volts.  
3. "Fully ROHS compliant", "100% Sn plating (Pb-free)".  
4. Test Conditions:  $I_F = 0.5\text{A}$ ,  $I_R = -1.0\text{A}$ ,  $I_{RR} = -0.25\text{A}$ .

## RATING AND CHARACTERISTICS CURVES ( HFM301 THRU HFM308 )

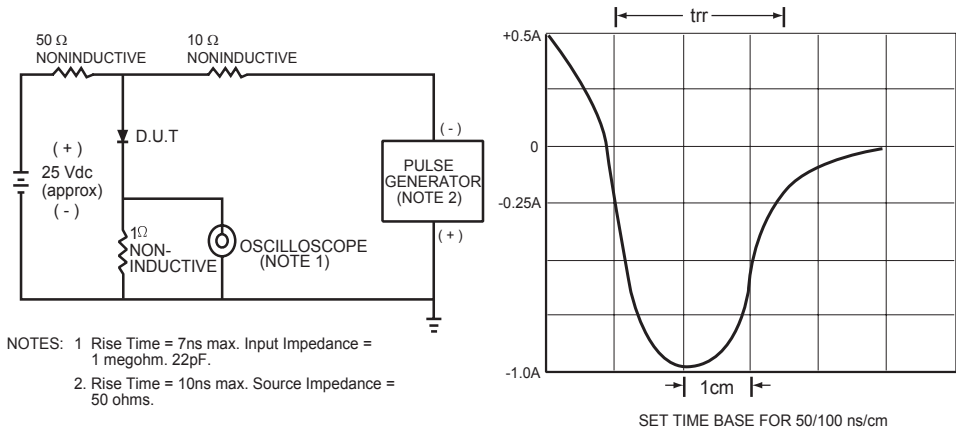


FIG.1 TEST CIRCUIT DIAGRAM AND REVERSE RECOVERY TIME CHARACTERISTIC

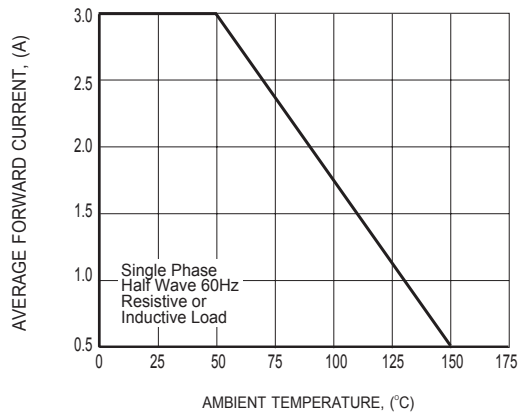


FIG.2 TYPICAL FORWARD CURRENT DERATING CURVE

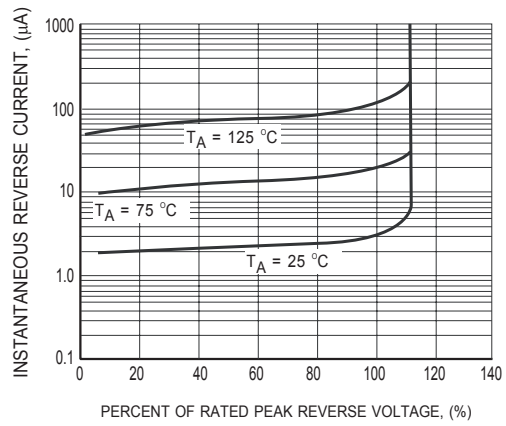


FIG.3 TYPICAL REVERSE CHARACTERISTICS

## RATING AND CHARACTERISTICS CURVES ( HFM301 THRU HFM308 )

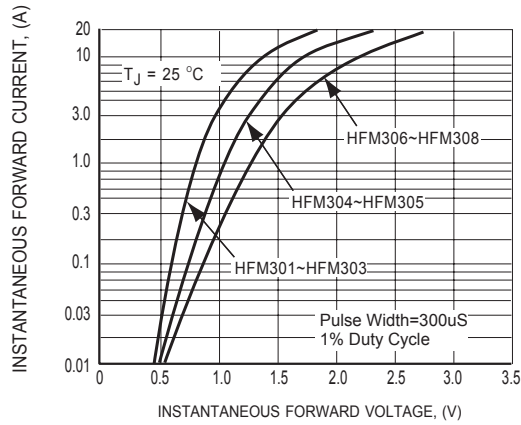


FIG.4 TYPICAL INSTANTANEOUS FORWARD CHARACTERISTICS

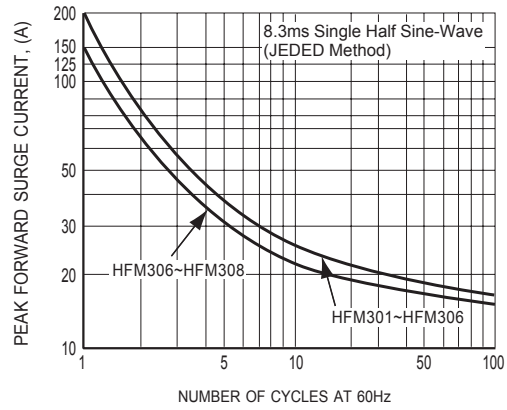


FIG.5 MAXIMUM NON-REPETITIVE FORWARD SURGE CURRENT

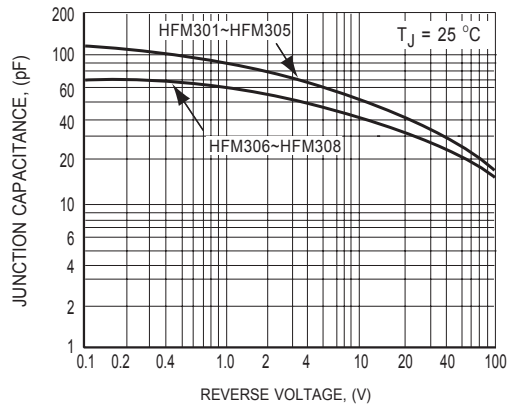
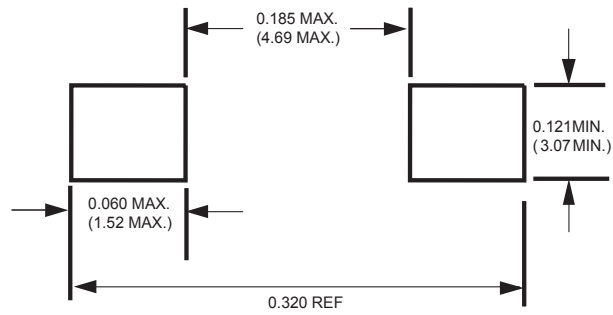


FIG.6 TYPICAL JUNCTION CAPACITANCE

## Mounting Pad Layout



Dimensions in inches and (millimeters)