

SPECIFICATIONS:

Insulation Resistance: 1,000MΩ min. at 500V DC
 Withstanding Voltage: 750Vrms for 1min
 Voltage Rating: 335V DC
 Current Rating: 1.0A MAX
 Contact Resistance: 5mΩ max. at 20mV max.
 Operating Temp.: - 40°C ~ +105°C
 Mating Cycle: 25 times

PART NUMBER:

HFU106P-5001-0X-VE

Series Name

Vertical Mount 1pin

Key Codes:

- Key A: White
- Key B: Black
- Key C: Blue
- Key D: Bordeaux Violet
- Key G: Grey
- Key I: Beige
- Key L: Carmine Red
- Key Z: Water Blue

AUTOMOTIVE COMPLIANT

MATERIALS AND FINISH:

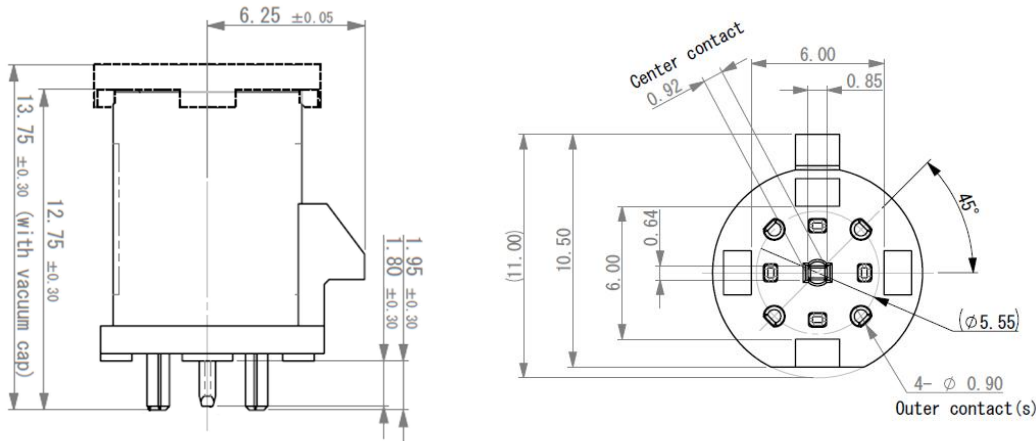
- Insulator: Heat Resistant Plastic
- Contacts:
 - Outer Contact: Zinc Alloy
 - Center Contact: Brass

FEATURES:

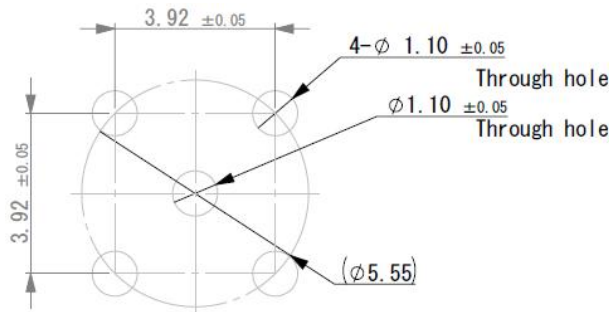
- USCAR-18 Guidelines Compliant
- USCAR-17 Physical Stress Test Compliant
- Vertical TH Mount



OUTLINE DIMENSIONS:



RECOMMENDED PCB LAYOUT:



Recommended PCB layout

