

**SPECIFICATIONS:**

Insulation Resistance: 1,000MΩ min. at 500V DC  
 Withstanding Voltage: 750Vrms for 1min  
 Voltage Rating: 335V DC  
 Current Rating: 1.0A MAX  
 Contact Resistance: 5mΩ max. at 20mV max.  
 Operating Temp.: - 40°C ~ +105°C  
 Mating Cycle: 25 times

**MATERIALS AND FINISH:**

Insulator: Heat Resistant Plastic  
 Contacts:  
 • Outer Contact: Zinc Alloy  
 • Center Contact: Brass

**FEATURES:**

- USCAR-18 Guidelines Compliant
- USCAR-17 Physical Stress Test Compliant
- Vertical TH Mount

**PART NUMBER:**

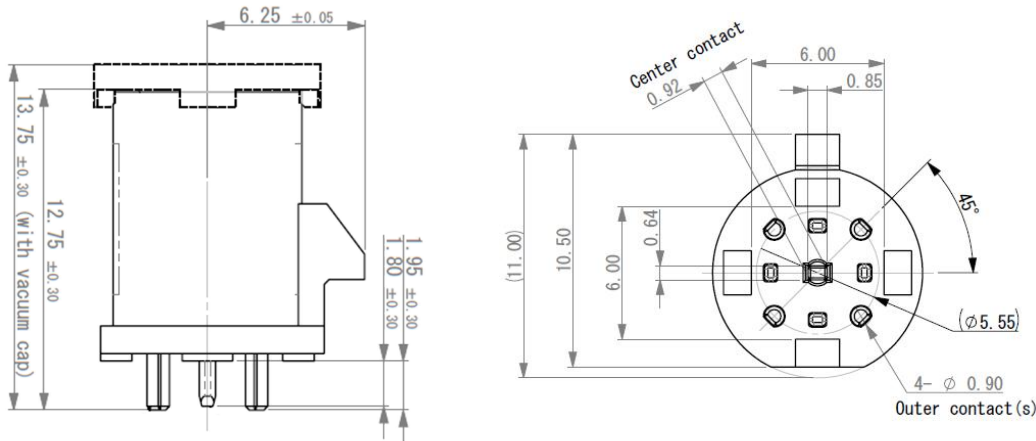
**HFU106P-5001-0X-VE**

Series Name
Vertical Mount 1pin
Key Codes:
Key A: White
Key B: Black
Key C: Blue
Key D: Bordeaux Violet
Key G: Grey
Key I: Beige
Key L: Carmine Red
Key Z: Water Blue

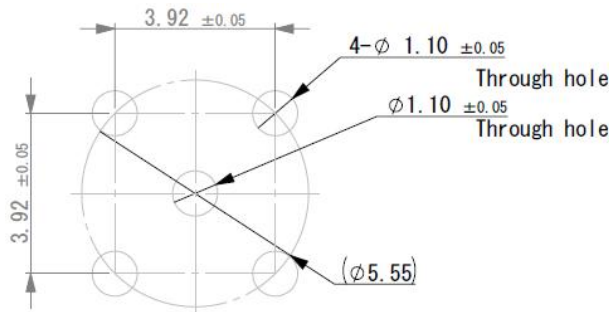
**AUTOMOTIVE COMPLIANT**



**OUTLINE DIMENSIONS:**



**RECOMMENDED PCB LAYOUT:**



Recommended PCB layout

