

SPECIFICATIONS:

Insulation Resistance: 1,000MΩ min. at 500V DC
 Withstanding Voltage: 750Vrms for 1min
 Voltage Rating: 335V DC
 Current Rating: 1.0A MAX
 Contact Resistance: 5mΩ max. at 20mV max.
 Operating Temp.: - 40°C ~ +105°C
 Mating Cycle: 25 times

MATERIALS AND FINISH:

Insulator: Heat Resistant Plastic
 Contacts:
 • Outer Contact: Zinc Alloy
 • Center Contact: Brass

FEATURES:

- USCAR-18 Guidelines Compliant
- USCAR-17 Physical Stress Test Compliant
- Vertical TH Mount

PART NUMBER:

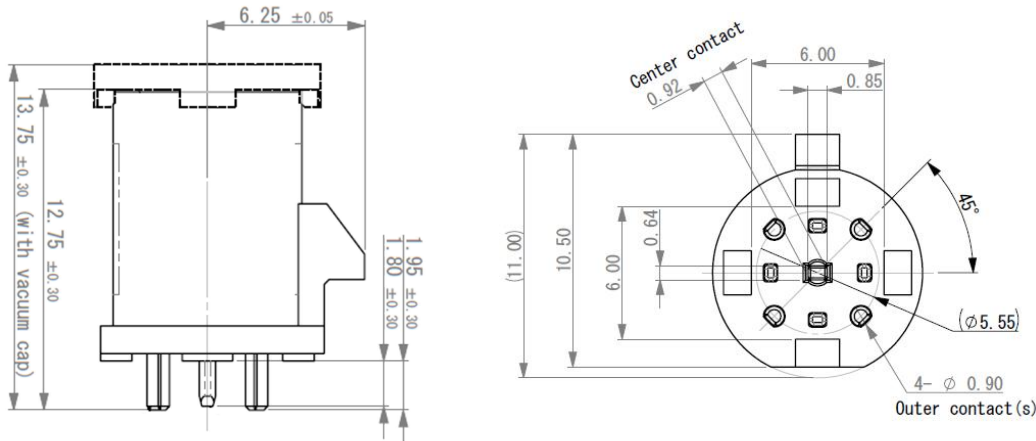
HFU106P-5001-0X-VE

Series Name
Vertical Mount 1pin
Key Codes:
Key A: White
Key B: Black
Key C: Blue
Key D: Bordeaux Violet
Key G: Grey
Key I: Beige
Key L: Carmine Red
Key Z: Water Blue

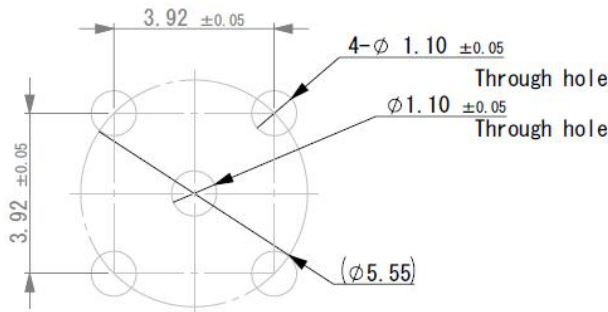
AUTOMOTIVE COMPLIANT



OUTLINE DIMENSIONS:



RECOMMENDED PCB LAYOUT:



Recommended PCB layout

