

HGA & HGB

1/4" x 1-1/4" Panel mount fuse holder



HGA



HGB

Product features

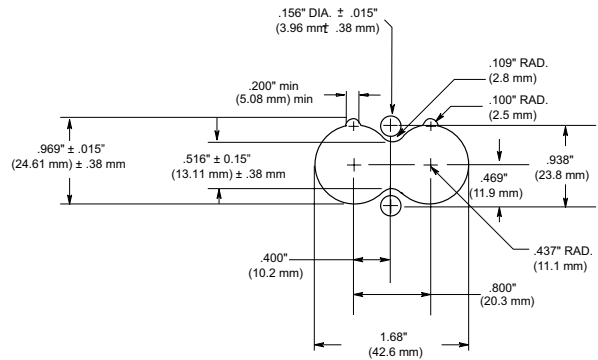
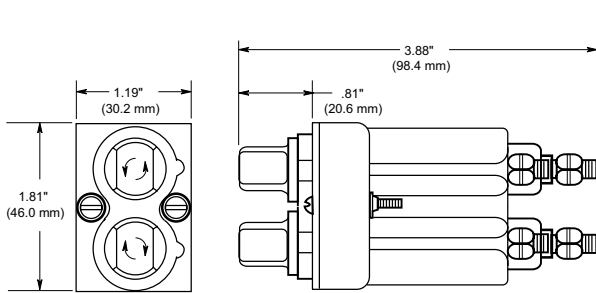
- Front panel mount with bayonet fuse carrier; fuse mounts in fuse clips within in fuse carrier
- Accepts 1/4" x 1-1/4" (6.3 x 32 mm) ferrule/cartridge fuses
- Clear transparent lamp provides open fuse indication when operated between 90 V - 250 V
- Rear stud terminals with lock washers and hex nuts included

Specifications

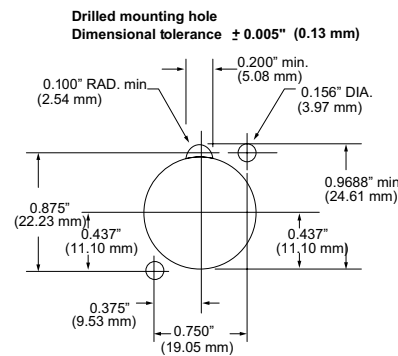
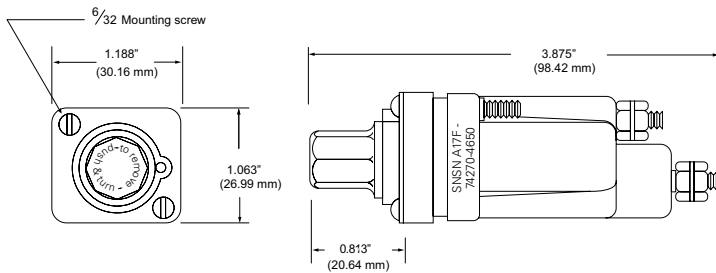
- 250 V, 30 A rating (per pole)
- Maximum front panel thickness of 0.125" (3.175 mm)
- Terminal strength: 20 lbs
- Torque rating of 15 in-lbs
- Mechanical shock withstand: MIL-STD-202 Method I

Dimensions- inches (mm)

HGA



HGB



Ordering details

Part number	Description
HGA	Two pole fuse holder with cylindrical lamp bayonet fuse carrier; 1 pc per package.
HGA-C	Two pole fuse holder with rectangular lamp bayonet fuse carrier; 1 pc per package.
HGB	Single pole fuse holder with cylindrical lamp bayonet fuse carrier; 1 pc per package.
HGB-C	Single pole fuse holder with rectangular lamp bayonet fuse carrier; 1 pc per package.

Life Support Policy: Eaton does not authorize the use of any of its products for use in life support devices or systems without the express written approval of an officer of the Company. Life support systems are devices which support or sustain life, and whose failure to perform, when properly used in accordance with instructions for use provided in the labeling, can be reasonably expected to result in significant injury to the user.

Eaton reserves the right, without notice, to change design or construction of any products and to discontinue or limit distribution of any products. Eaton also reserves the right to change or update, without notice, any technical information contained in this bulletin.

Eaton
Electronics Division
1000 Eaton Boulevard
Cleveland, OH 44122
United States
Eaton.com/electronics

© 2020 Eaton
All Rights Reserved
Printed in USA
Publication No. 11039 BU-MC20009
January 2020

Eaton is a registered trademark.
All other trademarks are property of their respective owners.

Follow us on social media to get the latest product and support information.

