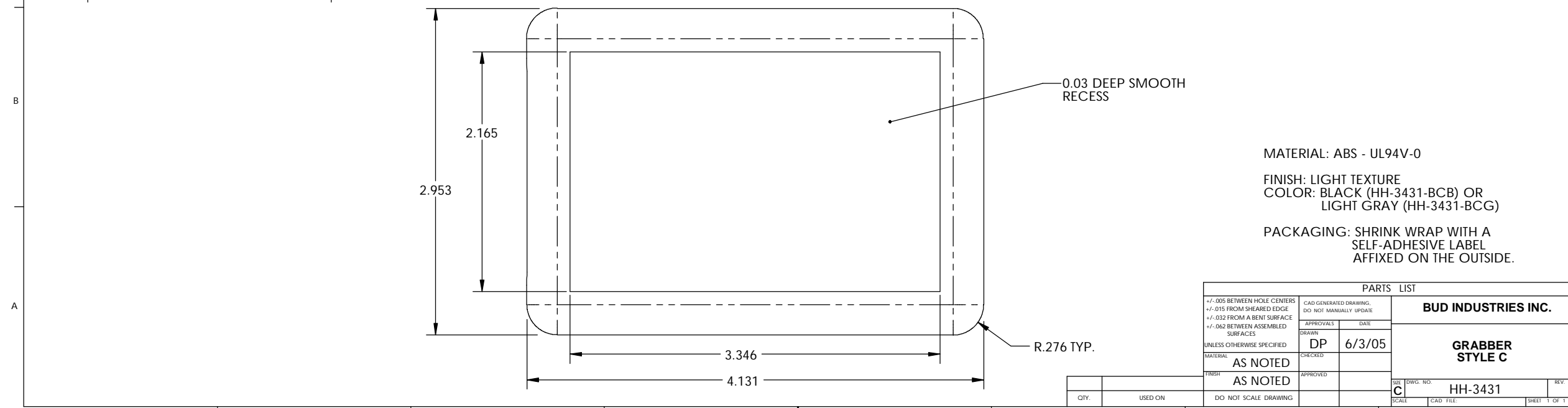
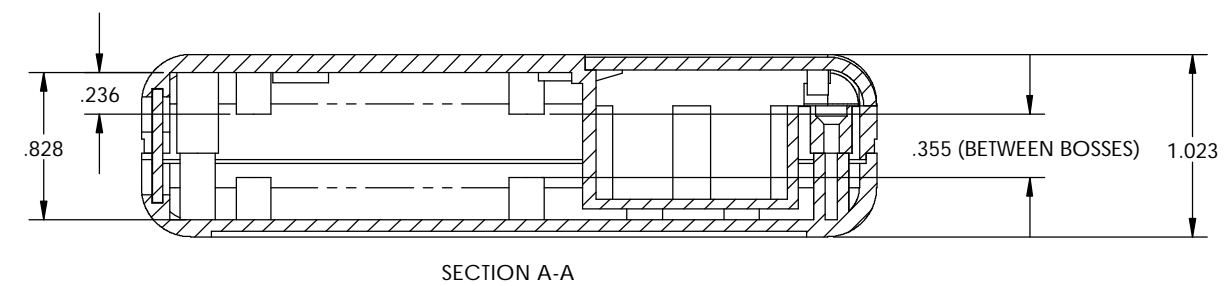
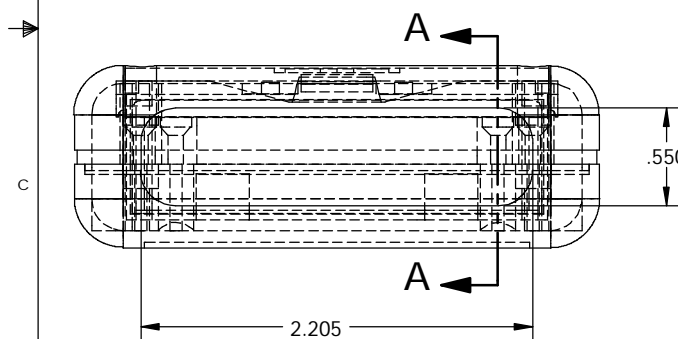
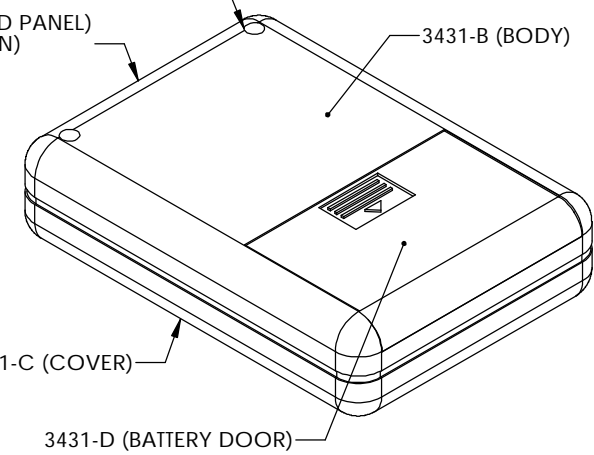
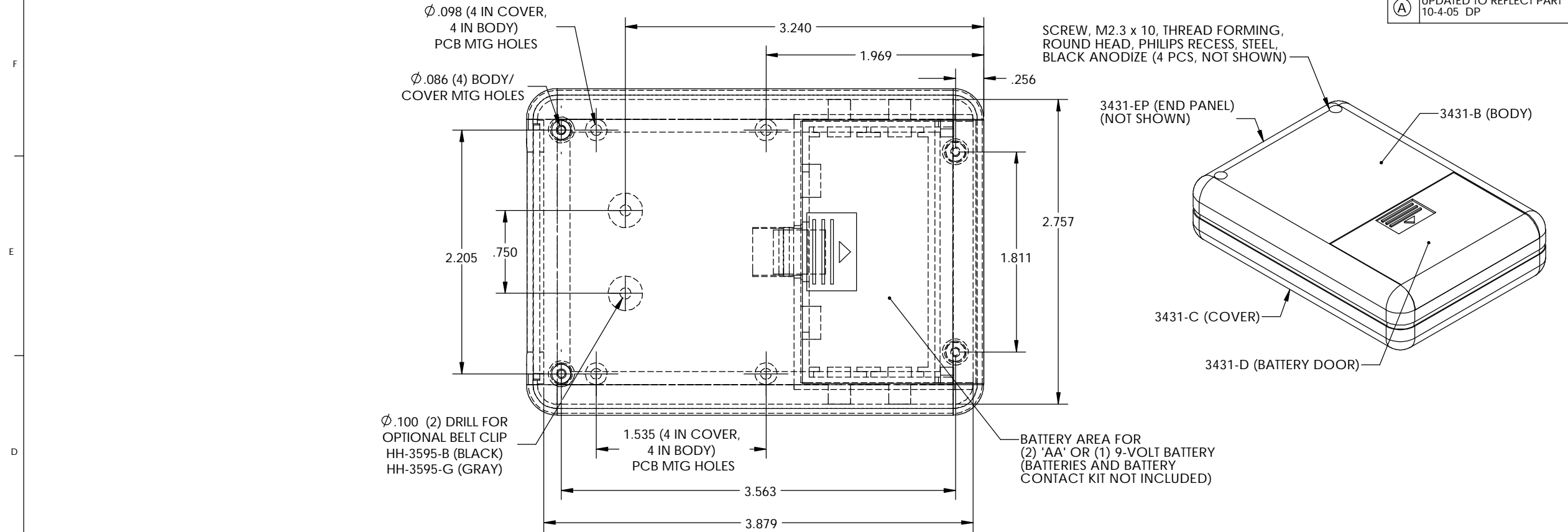


THE INFORMATION CONTAINED IN THIS DRAWING IS THE SOLE PROPERTY OF BUD INDUSTRIES INC. ANY REPRODUCTION IN PART OR WHOLE WITHOUT THE WRITTEN PERMISSION OF BUD INDUSTRIES INC. IS PROHIBITED.

DWG. NO.	HH-3431
ISSUE	REVISIONS
(A)	UPDATED TO REFLECT PART 10-4-05 DP



MATERIAL: ABS - UL94V-0  
 FINISH: LIGHT TEXTURE  
 COLOR: BLACK (HH-3431-BCB) OR LIGHT GRAY (HH-3431-BCG)  
 PACKAGING: SHRINK WRAP WITH A SELF-ADHESIVE LABEL AFFIXED ON THE OUTSIDE.

PARTS LIST			
+/- .005 BETWEEN HOLE CENTERS +/- .015 FROM SHEARED EDGE +/- .032 FROM A BENT SURFACE +/- .062 BETWEEN ASSEMBLED SURFACES		CAD GENERATED DRAWING. DO NOT MANUALLY UPDATE.	
UNLESS OTHERWISE SPECIFIED		APPROVALS	DATE
MATERIAL	AS NOTED	DP	6/3/05
FINISH	AS NOTED	CHECKED	
		APPROVED	
CITY		USED ON	DO NOT SCALE DRAWING
SCALE		CAD FILE	SHEET 1 OF 1

**BUD INDUSTRIES INC.**  
**GRABBER**  
**STYLE C**

SIR: C  
 DWG. NO.: HH-3431  
 SCALE: 1:1