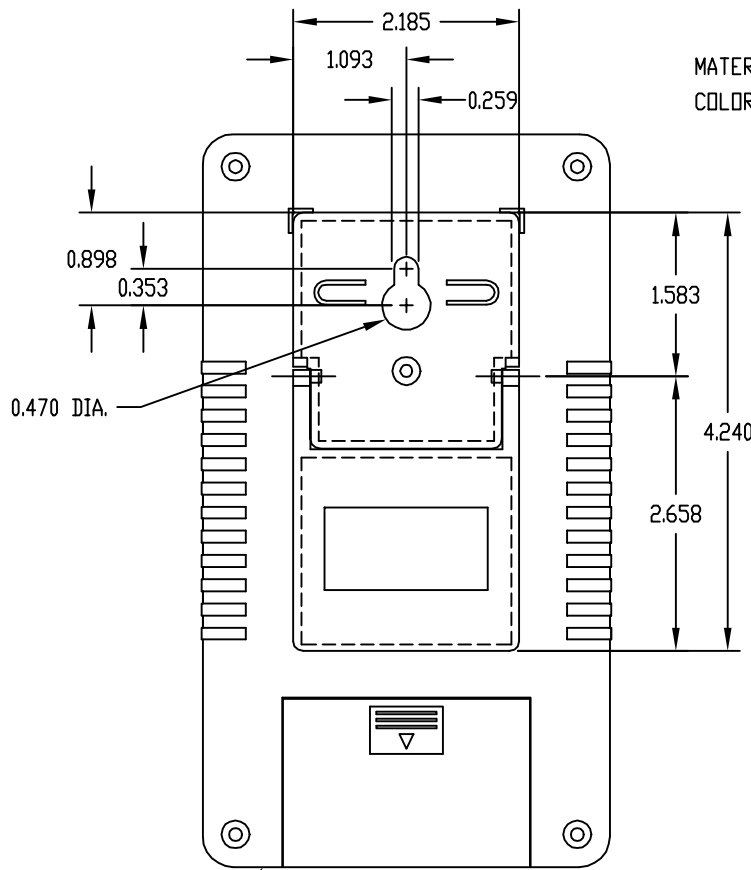


PART NAME

TILT STAND

PART No.

HH-3440-TS



MATERIAL: HIGH-IMPACT ABS (RATED UL94-V0)
COLOR: LIGHT GRAY

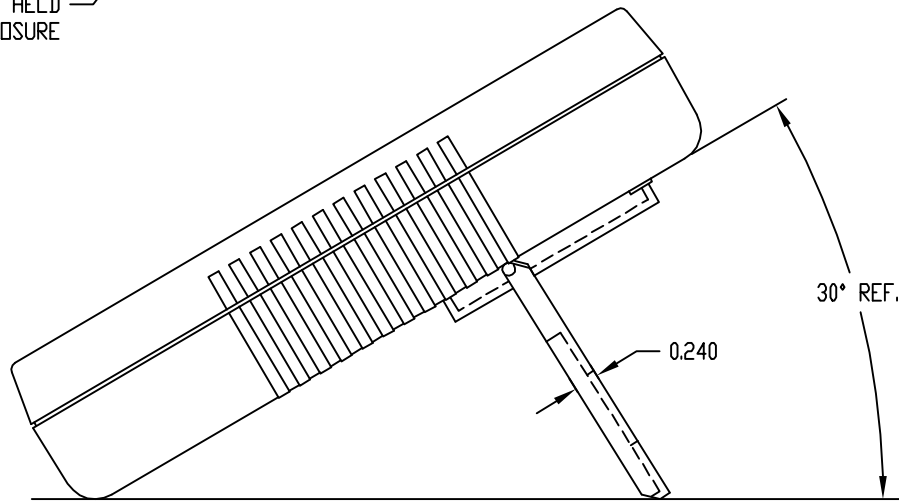
ALL DIMENSIONS HAVE ± 0.015 TOLERANCE UNLESS OTHERWISE SPECIFIED

ONE (1) M3 x 0.394" LG. SCREW SUPPLIED FOR ASSEMBLY

TWO (2) NON-SKID SELF-ADHESIVE RUBBER FEET SUPPLIED

TILT STAND CAN BE USED ON STYLE A OR STYLE B HAND HELD ENCLOSURES

HAND HELD ENCLOSURE



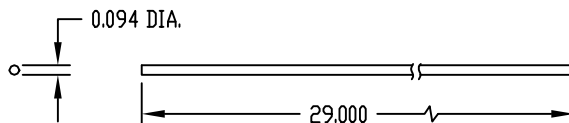
30° REF.

PART NAME

GASKET

PART No.

HH-3441-G



MATERIAL: NEOPRENE RUBBER
COLOR: GRAY

GASKET IS PRESS FIT INTO GROOVE OF HAND HELD ENCLOSURE TOPS