

PART NAME GRABBER (STYLE D)

PART No.

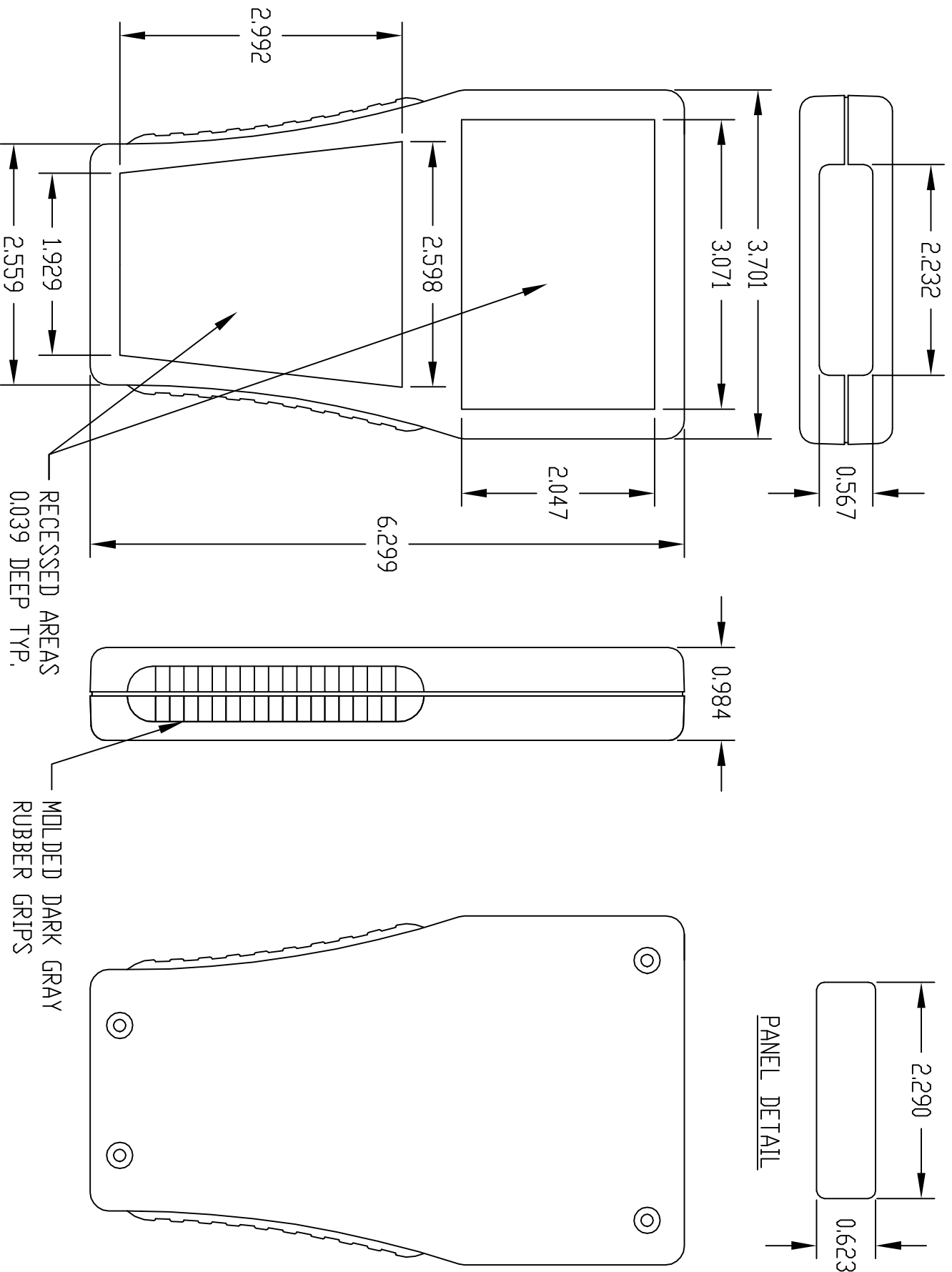
HH-3510-B

HH-3510-G

REV. DATE

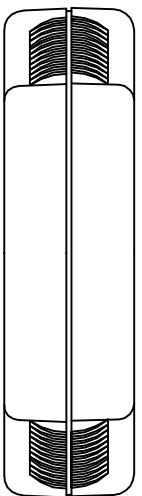
MATERIAL: ABS (UL94-V0)
COLOR: BLACK (-B SUFFIX PART NO.)
GRAY (-G SUFFIX PART NO.)

ALL DIMENSIONS HAVE ±0.015 TOLERANCE
FOUR (4) M3 x 0.433" LG. CSK. HD. ZINC PLATED
SELF-TAPPING SCREWS SUPPLIED FOR ASSEMBLY



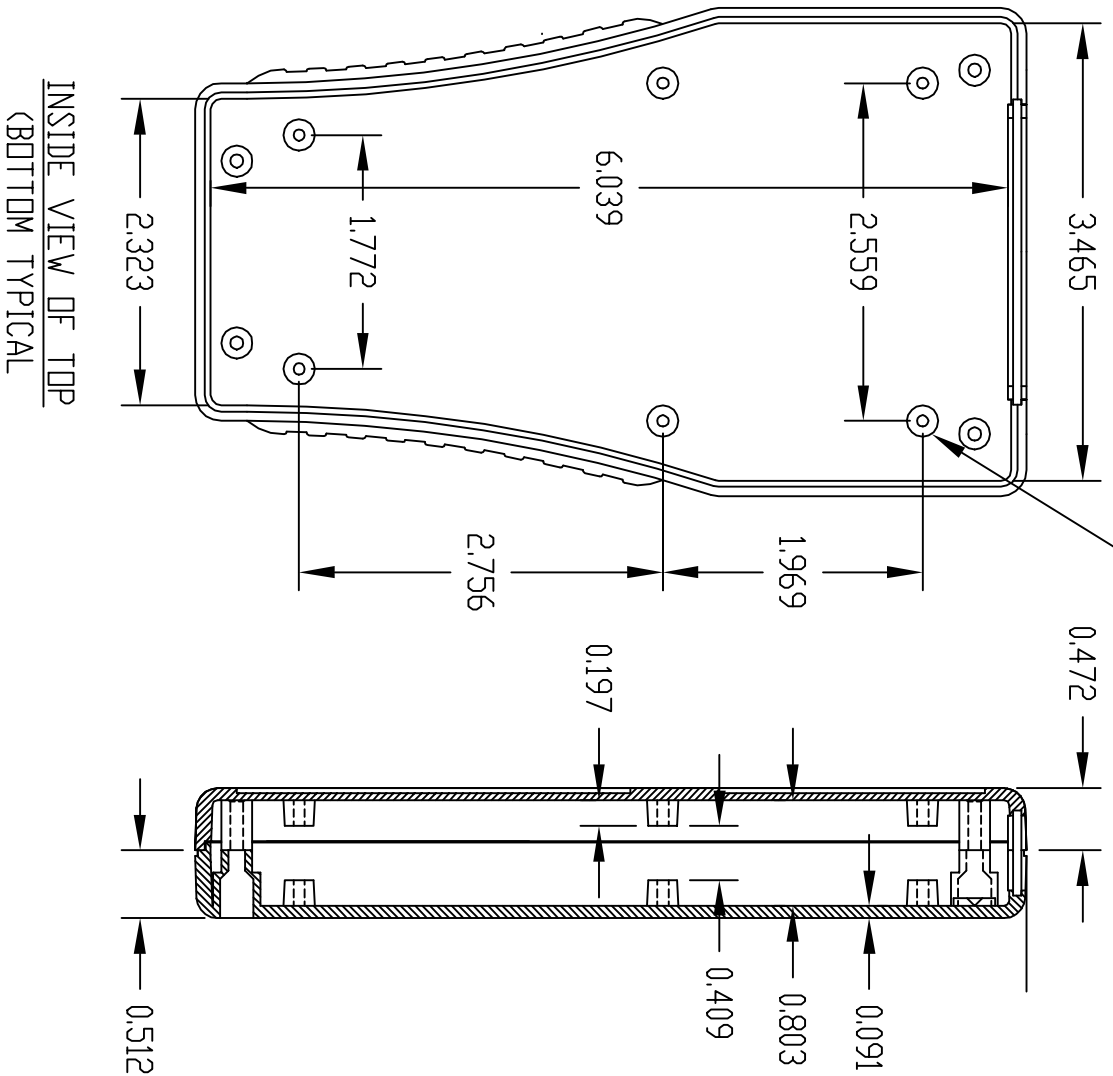
RECESSED AREAS
0.039 DEEP TYP.

MOLDED DARK GRAY
RUBBER GRIPS



0.236 DIA. BOSS
WITH 0.087 DIA. HOLE
(6) PLACES TYP. IN
TOP AND BOTTOM

NOTE: MOUNTING BOSSES USE EITHER
M2.5 METRIC DR #4 STD. SELF-TAPPING
SCREWS x 0.187" LG. (NOT SUPPLIED)



INSIDE VIEW OF TOP
(BOTTOM TYPICAL)