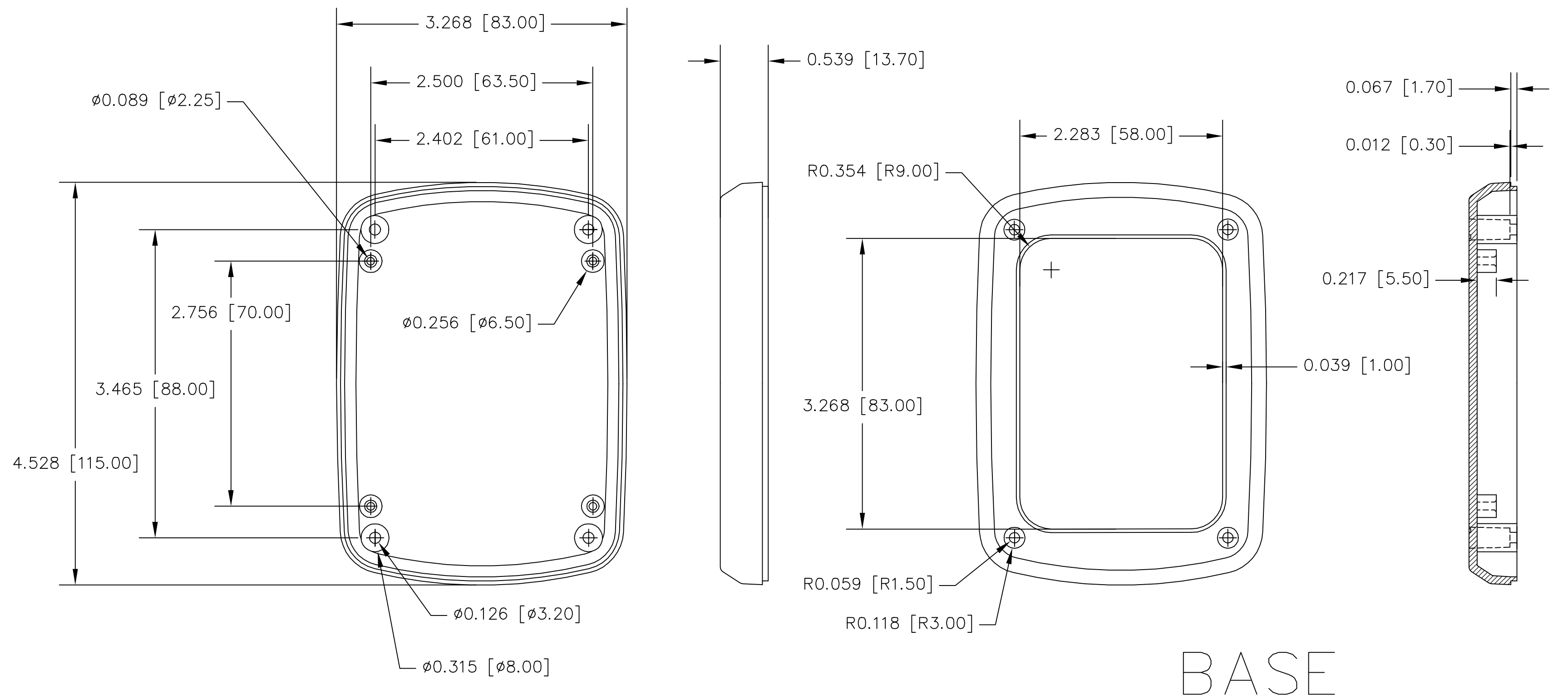


LID



BASE

MATERIAL : FLAME RETARDANT OF ABS (UL94-V0)
 COLOR: BLACK
 FINISH:
 SHELL EXTERIOR SURFACES ARE TEXTURED.
 RECESSED AREAS ON EXTERIOR ARE SMOOTH.
 FOUR (4) INTERNAL BOSSES ON EACH SHELL ARE DESIGNED TO TRAP PCB BETWEEN ASSEMBLED SHELL HALVES.
 FOUR (4) #4-24 x .375 LG. SCREWS (BLACK) ARE SUPPLIED FOR ASSEMBLING SHELL HALVES
 ALL DIMENSIONAL TOLERANCES ARE +/- .015

QTY.	USED ON	TOLERANCES:	ITEM REQ'D.	PART NO.	DESCRIPTION
		±.005 BETWEEN HOLE CENTERS ±.015 FROM SHEARED EDGE ±.032 FROM A BENT SURFACE ±.063 BETWEEN ASSEMBLED SURFACES UNLESS OTHERWISE SPECIFIED	MAT: NOTED FINISH: BLACK DR. RD 10-13-08 CH. APP.	SCALE: BID WILLOUGHBY, OHIO	NAME: HAND-HELD BOX STYLE P 4.53 X 3.27 X 1.26 DWG. NO. HH-3643