

NOTES: UNLESS OTHERWISE SPECIFIED

1. FOR GENERAL SERIES SPECIFICATIONS, SEE SDXX-0000.

2. MATERIAL AND FINISHES:

BODY: BRASS, GOLD PLATE
CONTACT: BERYLLIUM COPPER, GOLD PLATE
INSULATOR: PTFE

3. ELECTRICAL SPECIFICATIONS:

IMPEDANCE: 75 OHMS
FREQUENCY RANGE: DC-12GHz
RETURN LOSS: < -20dB @ 6.0GHz (WITH 75 OHM TRACE)
DIELECTRIC WITHSTANDING VOLTAGE: 1000VRMS MIN.
INSULATION RESISTANCE: 10,000 MEGOHMS MIN.

4. DURABILITY: 500 CYCLES

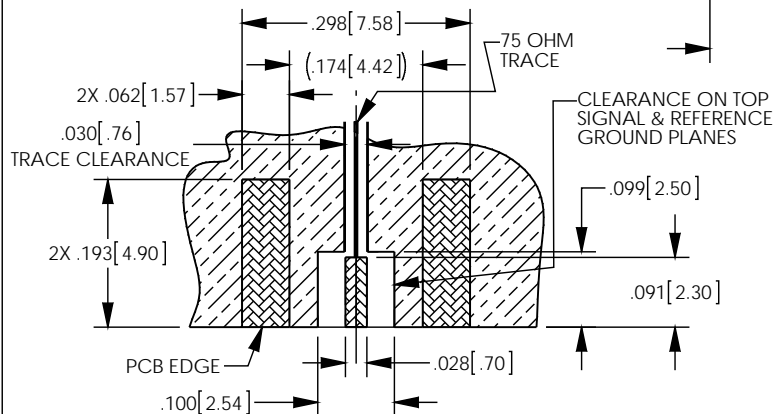
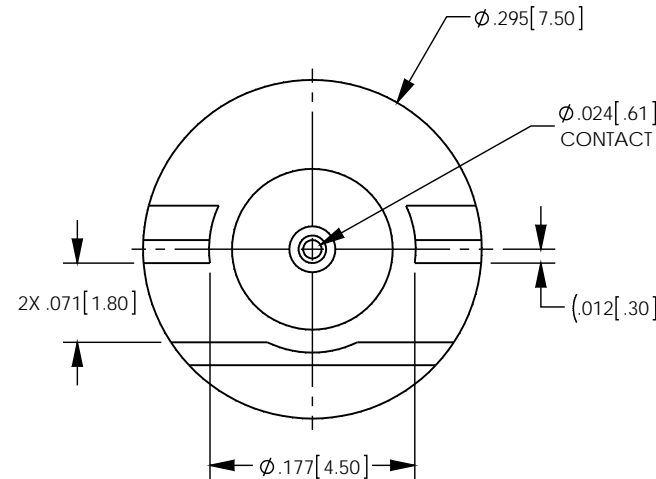
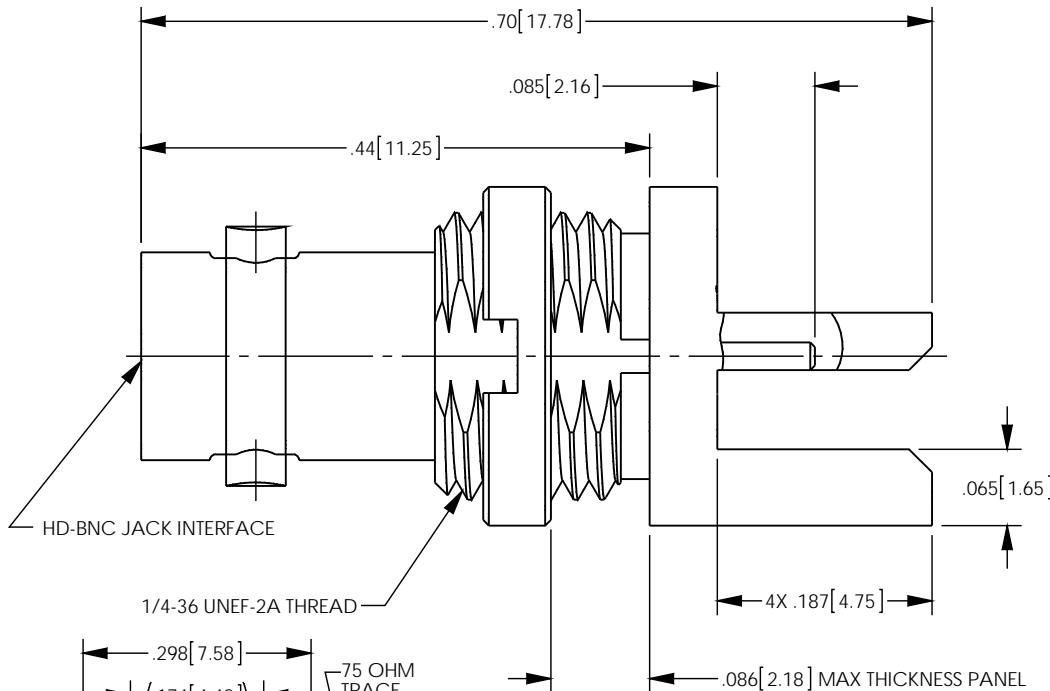
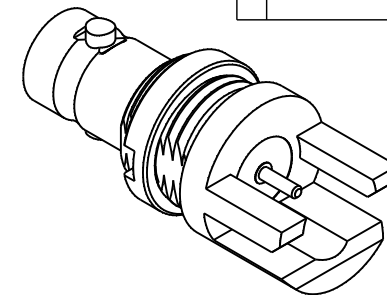
5. ENVIRONMENTAL:

THERMAL SHOCK PER MIL-STD-202 METHOD 107
TEST CONDITIONS B (EXCEPT HIGH TEMP @200° C)
VIBRATION: MIL-STD-202 METHOD 204 TEST CONDITION B
SHOCK: MIL-STD-202 METHOD 213 TEST CONDITION B
CORROSION: MIL-STD-202 METHOD 201
TEST CONDITIONSB 5% SALT SOLUTION

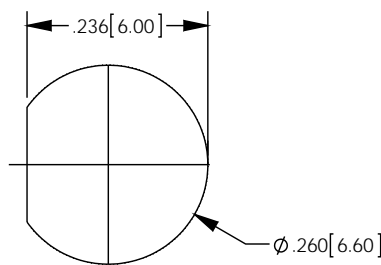
6. PACKAGING: INDIVIDUALLY BAGGED

7. COMPLIANT TO SMPTE 424M (3G-SDI) SPECIFICATION.

REV	DESCRIPTION	BY DATE	APPD
A	ER052721	KPL 04/21/14	MS



RECOMMENDED PCB FOOTPRINT



RECOMMENDED MOUNTING HOLE

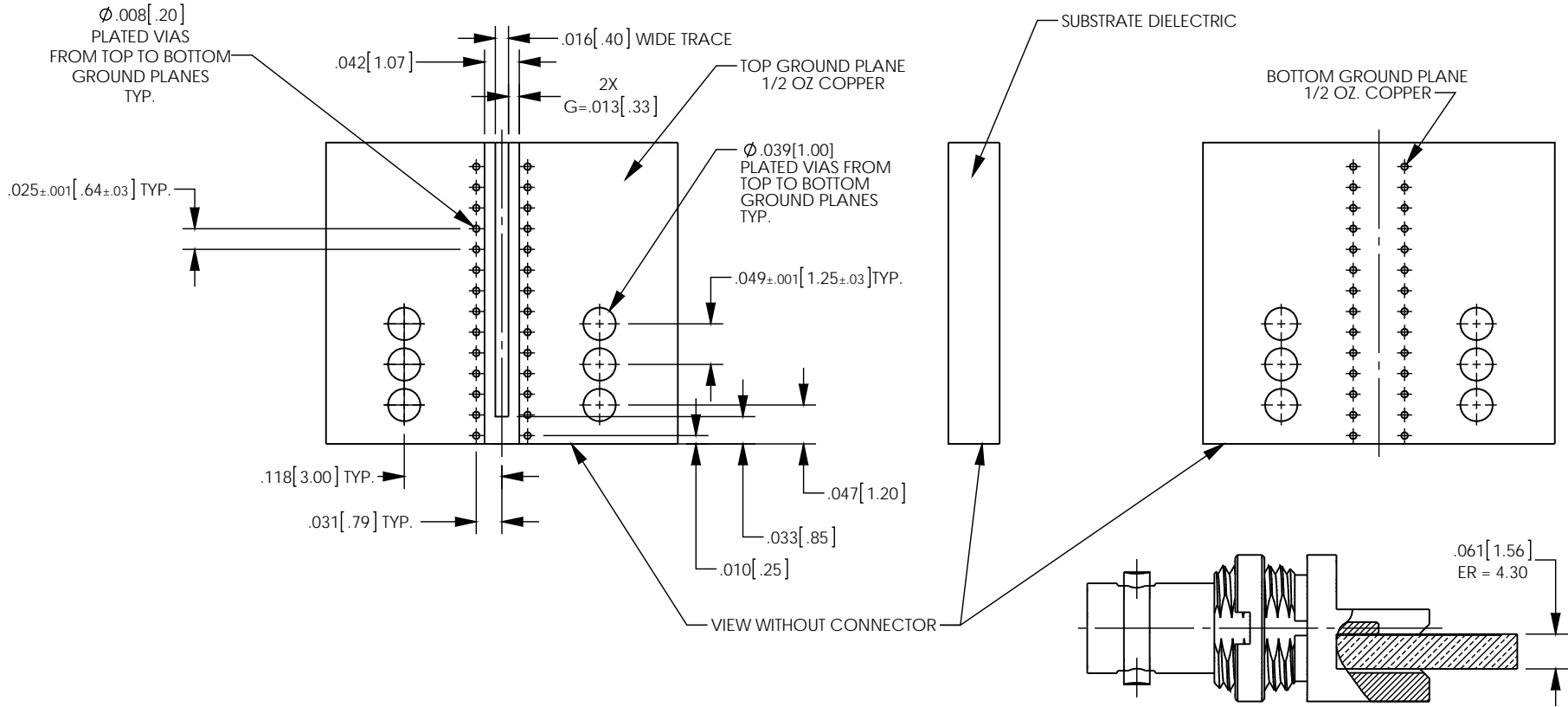
CATALOG P/N: HHD361HDE704

PER ASME Y14.5M-1994 UNLESS OTHERWISE SPECIFIED: DIMENSIONS ARE IN INCHES [MM] TOLERANCES: DECIMAL: .XX [X.X] ± .01 [0.3] .XXX [X.XX] ± .005 [0.13] .XXXX [X.XXX] ± .XXXX		 Winchester Electronics Corporation 195 Park Road Ext Suite 104 Middlebury, Connecticut 06762	
ANGLES: ± 2°		SCALE: XX	
CUSTOMER SALES DRAWING		THIRD ANGLE	
DRAWN KPL	DATE 04/21/2014	APPROVED MS	DATE 04/21/2014
APPROVED XXX	DATE XX/XX/XX	APPROVED XXX	DATE XX/XX/XX
A		SDHHD361HDE704	
SHT 1		OF 3	
REV A			

CONFIGURATION - 1

RECOMMENDED PCB LAUNCH FOR OPTIMAL RF PERFORMANCE

VARIATIONS IN BOARD SUBSTRATE AND TRACE MAY REQUIRE DIFFERENT GEOMETRY



REV	DESCRIPTION	BY	DATE	APPD
01	PRELIMINARY DRAWING ER050491	KPL	11/21/13	MS
02	ADDED HHD TO PART NO. ER051456	KPL	04/21/2014	MS
03	SEE SHT 1 ER051644	KPL	02/10/14	MS
A	SEE SHEET 1 ER052721	KPL	04/21/14	MS

PER ASME Y14.5M-1994 UNLESS OTHERWISE SPECIFIED: DIMENSIONS ARE IN INCHES TOLERANCES: DECIMAL: .XX ± .XX .XXX ± .XXX .XXXX ± .XXXX ANGLES: ± X° SCALE: X:X		THIRD ANGLE
MATERIAL		
FINISH		
DRAWN	DATE	APPROVED
KPL	04/21/2014	MS
APPROVED	DATE	APPROVED
XXX	XX/XX/XX	XXX

 Winchester Electronics Corporation 199 Park Road Ext Suite 104 Middlebury, Connecticut 06762	
HD BNC BHD JACK EDGE MOUNT FOR .062 THICK BOARD	
A	SDHHD361HDE704
SHT	OF
2	3
REV	A