

HIT-W121

11.6" Healthcare/Hospitality Infotainment Terminal with Intel® Atom™ N450/D510 Processors



Features

- Revolutionary & specialized design focused on healthcare applications and terminal leasing market
- 43 mm thick slim design achieves balance between fanless & Atom dual-core performance
- Provides natural viewing experience with 16:9, 11.6" display
- Easy to clean full-flat, front touch panel IP 65 compliant
- VESA 75 mm standard mounting holes for varied mounting demands
- Instant function key access via programmable touch hotkeys on front panel
- Rich options - Handset/ RFID/ Smart card reader/ Barcode Scanner/ MSR
- ITE & medical dual certificates provide complete application coverage



Introduction

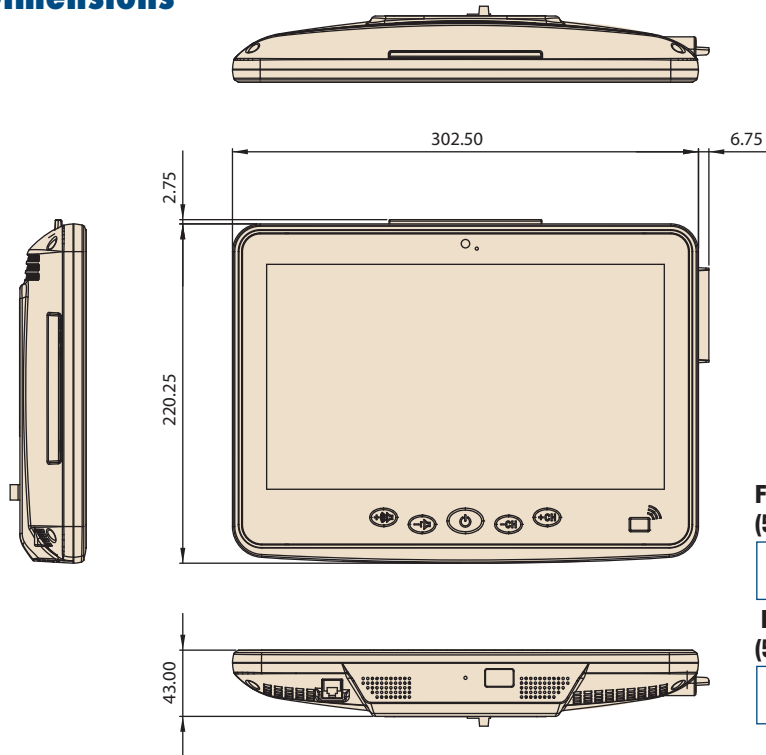
HIT-W121, an iService/Healthcare Infotainment Terminal, has an 11.6" single-surface touchscreen, is powered by an Intel® Atom™ D510 Processor, supports Windows, Android and Linux operating systems, and is built with a compact, VESA mountable form factor. The medical-grade device works well not only in healthcare applications, but with its slim design, it is an exceptional choice for applications in iServices such as retail shelf displays, banking, and RFID-based Smart Card applications.

Specifications

Hardware	CPU	Intel Atom (N450/D510) 1.6 GHz Processor
	Front Side Bus	Supports FSB 667 MHz
	System Chipset	Intel N450/D510 + ICH8M
	Memory	up to 2 GB
	Storage	CF or SATA HDD interface
	Camera	2 megapixel CCD Module (Optional)
	Bus Expansion	Mini PCIe x 2
Display	Size	11.6" W TFT
	Max Resolution	1366 x 768
	Luminance	200 cd/m ²
	Contrast Ratio	400:1
Touchscreen	Type	Analog Resistive
	Light Transmission	80%
	Durability	30 million
I/O Ports	USB Port	3 (side x 2, rear x 1)
	Smart Card Reader	1 (Removeable with Insert sealed by plastic changecord)
	Line out	1
	Microphone in	1
	COM Port (Isolated)	1
Audio	Speaker	2 watt x 2
	Microphone	1
Network	LAN	10/100/1000 RJ-45 x 1
	WLAN	802.11 b/g/n
Emergency Alarm	Hotkey	5 programmable touch buttons with 2 types of artwork
	LED Light Indicator	1
Bus Expansion	mini-PCI Slot	2 (1 for WLAN, 1 for tuner)
Software	Operating System	Support WES, WES7, Win7 / Linux: Fedora 13, Ubuntu, Android
	Mounting	VESA 75 x 75 mm
Mechanical	Dimensions (W x H x D)	302.5 x 220.25 x 43 mm
	Weight	2.3 kg
	TV Tuner	Yes, Optional
Options	Handset	Yes, Optional
	Barcode Scanner	Yes, Optional. 2D type
	Table Stand	Yes, Optional
	RFID	Yes, Optional
	AC/DC Adapter	
Power Supply	Input Voltage	100 ~ 240 V _{AC} , 1.1 ~ 0.45 A @ 47~ 63 Hz
	Output Voltage	IT: 19 V _{DC} , 3.95 A MAX; Medical: 16 ~ 21 V _{DC} (SET UP 19V), 2.63 A MAX
	Operating Temperature	0 ~ 40° C
Environment	IP Rating	Front Panel: IP65; IPX1 All around
	Vibration	1 G
	Shock	50 G
	Certifications	CE, FCC, CCC, CB, ITE UL, EN 60950 & EN 60601-1 approved

Dimensions

Unit: mm



Front Button Artwork for Healthcare (5-key + 1 RFID Icon) :



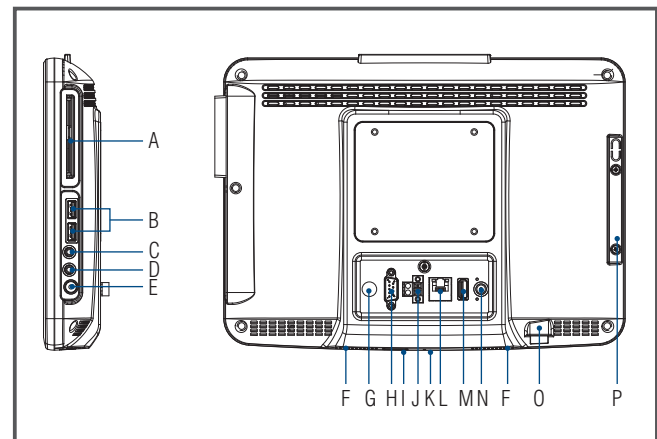
Front Button Artwork for iService (5-key + 1 RFID Icon) :



Ordering Information

Part No.	Description
HIT-W121-AST0E	11.6" W Full-Flat Atom D510 iService Terminal in Polished White, w/ Bare BOM & ITE adapter
HIT-W121-AST1E	11.6" W Full-Flat Atom D510 iService Terminal in Polished White, w/ Full Config & ITE adapter
HIT-W121-AIS0E	11.6" W Full-Flat Atom D510 iService Terminal in Matte Black, w/ Bare BOM & ITE adapter
HIT-W121-AIS1E	11.6" W Full-Flat Atom D510 iService Terminal in Matte Black, w/ Full Config & ITE adapter
HIT-W121-AWM0E	11.6" W Full-Flat Atom D510 Healthcare Terminal in Polished White, w/ Bare BOM & Medical adapter
HIT-W121-AWM1E	11.6" W Full-Flat Atom D510 Healthcare Terminal in Polished White, w/ Full Config & Medical adapter
HIT-W121-ABM0E	11.6" W Full-Flat Atom D510 Healthcare Terminal in Matte Black, w/ Bare BOM & Medical adapter
HIT-W121-ABM1E	11.6" W Full-Flat Atom D510 Healthcare Terminal in Matte Black, w/ Full Config & Medical adapter

Fully- Integrated I/O



- | | | |
|--------------------------|------------------------------|---------------------------|
| A Smart Card Insert Tray | F 1W Speaker x 2 | L RJ-45 LAN port |
| B USB 2.0 Port *2 | G Reserved port | M USB 2.0 port |
| C MIC In | H Isolated COM Port | N DC Inlet |
| D Line Out | I Barcode Scanner (optional) | O RJ-12 Handset Connector |
| E Power Switch | J 2-PIN Connector | P Handset/MSR Dock |
| | K MIC | |

Accessories

Part Number	Description
HIT-W121-HSKE	Handset Kit for HIT-W121
HIT-KITS-MSR0E	HIT series standard accessory: MSR Add-on Module
HIT-KITS-UST0E	HIT series standard accessory: US ATSC/NTSC Hybrid Tuner
HIT-KITS-EUT0E	HIT series standard accessory: EU DVB-T Analog/Digital Hybrid Tuner
HIT-KITS-TSD0E	HIT series standard accessory: Table Stand Kit