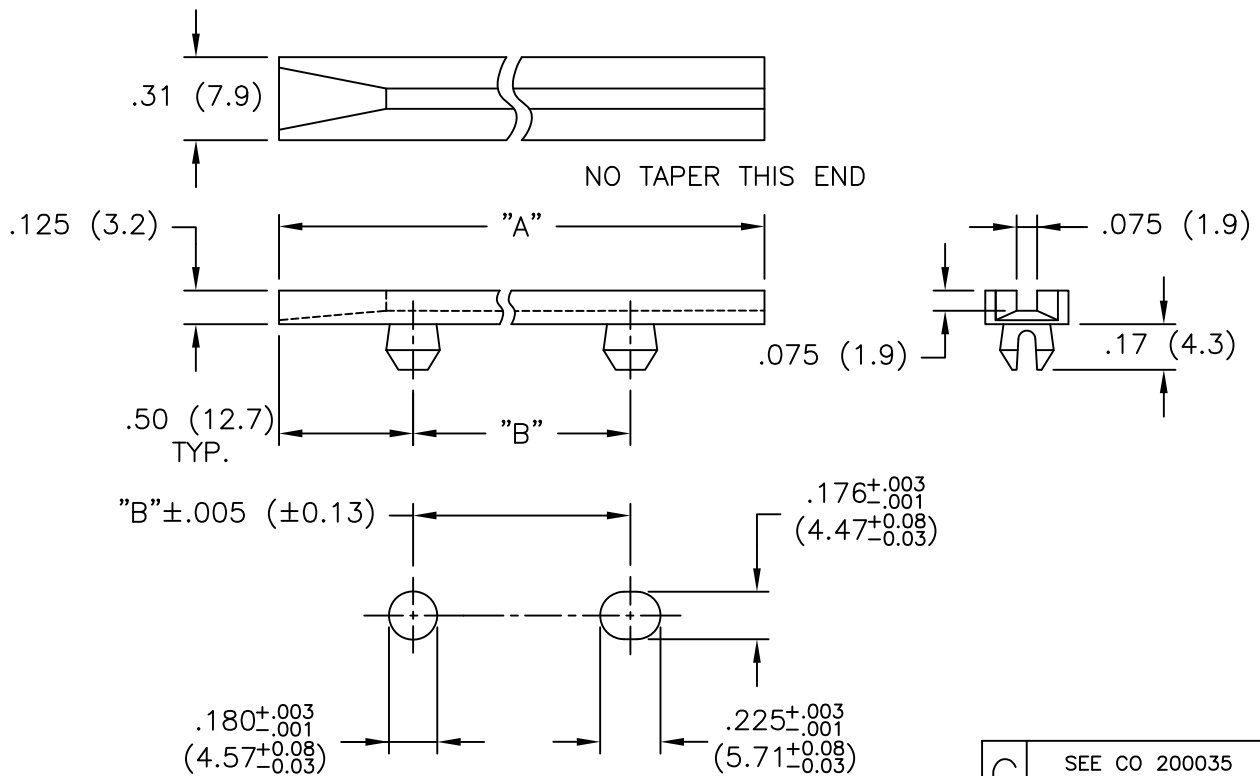


PART NO.	"A" REF.	"B"±.016 (±0.41)	INTERCHANGE WITH SCANBE
RSSD-250	2.5 (63.5)	1.5 (38.1)	23071-1
RSSD-300	3.0 (76.2)	2.0 (50.8)	23071-2
RSSD-350	3.5 (88.9)	2.5 (63.5)	
RSSD-400	4.0 (101.6)	3.0 (76.2)	23071-3
RSSD-450	4.5 (114.3)	3.5 (88.9)	
RSSD-450-300X	4.5 (114.3)	3.0 (76.2)	23071-4
RSSD-500	5.0 (127.0)	4.0 (101.6)	
RSSD-550	5.5 (139.7)	4.5 (114.3)	
RSSD-600	6.0 (152.4)	5.0 (127.0)	23071-5
RSSD-650	6.5 (164.1)	5.5 (139.7)	23071-6
RSSD-700	7.0 (177.8)	6.0 (152.4)	
RSSD-750	7.5 (190.5)	6.5 (165.1)	
RSSD-800	8.0 (203.2)	7.0 (177.8)	

AVAILABLE BY SPECIAL ORDER ONLY



RECOMMENDED MOUNTING HOLES
 PANEL THICKNESS: .047-.090 (1.2-2.3)

NOTES:

- MATERIAL: NYLON 6/6 (RMS-48)
- COLOR: NATURAL.

G	SEE CO 200035 FOR CHANGES	SK 09.26.07
F	SEE ECN #831 FOR CHANGES	SM 08.09.04
E	COMPLETELY REDRAWN	SM 02.11.02
D	CHANGED FILE NO.	SM 05.14.01
C	DIM. .225 (5.7) WAS .255 (6.5)	RS 01.25.93
B	DIM. "A" WAS REF.	RS 11.25.92
A	METRIC DIMS CORRECTED	RS 08.17.92
REV	DESCRIPTION	ENGR DATE

TITLE: SNAP-IN CARD GUIDE



TOLERANCES UNLESS NOTED .XX=±.010 .XXX=±.005 FRAC=±1/64 ANG=±1°	FILE # RSSD	DWN: P.B.	APP:	DWG IN IN (MM) FINAL	PART # SEE TABLE	PRINT TYPE CA
	MAT'L: SEE NOTES	DT: 04-04-94	DT:			
	RE: RICHCO, INC.	RICHCO INC. PO BOX 804238, CHICAGO, 60680 (773) 539-4060				