



USB Type-C Analog Audio Switch with Protection Function

Features

- ◆ Power Supply: VCC, 2.7V to 5.5V
- ◆ USB High Speed(480Mbps) Switch:
 - -3dB Bandwidth: 900 MHz
 - 3Ω R_{ON} Typical
- ◆ Audio Switch
 - Negative Rail Capability: -3V to +3V
 - THD+N = -105 dB;
 - 1 V_{RMS}, f=20Hz~20kHz ,32Ω Load;
 - 0.8Ω R_{ON} Typical
- ◆ High Voltage Protection
 - 20V DC Tolerance on Connector Side Pins
 - Over Voltage Protection: V_{TH}=5V (Type)
- ◆ OMTP and CTIA Pinout Support
- ◆ Support Audio Sense Path
- ◆ 25-Bump WLCSP Package (2.03mmx2.03mm)

Applications

- Smart Phone
- Tablet
- Notebook PC
- Media Player

Order Information

Part Number	Packing Method	Package
HL5280	Tape and Reel	WLCSP-25

For other options, contact a Halo Micro sales representative.



Typical Application Diagram

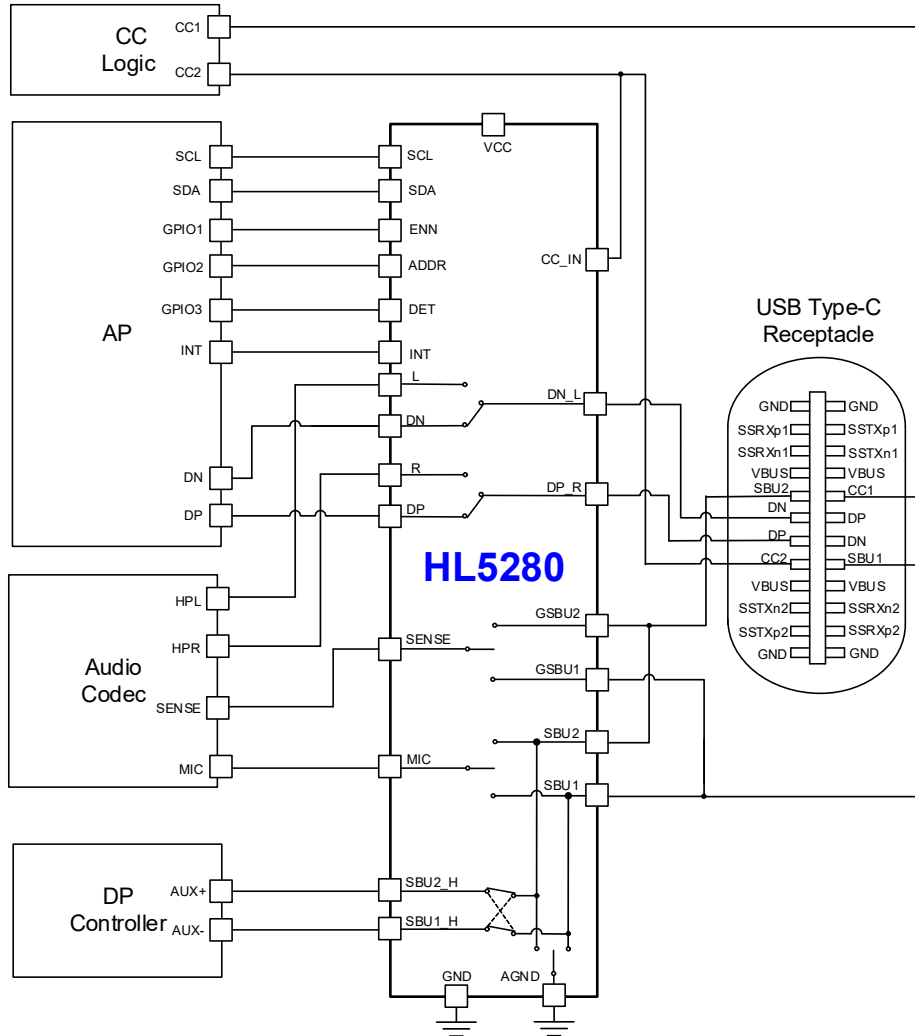


Figure 1 HL5280 Typical Application Diagram



Description

HL5280 is a high performance USB Type-C port multimedia switch which supports analog audio headsets. HL5280 allows the sharing of a common USB Type-C port to pass USB2.0 signal, analog audio, sideband use wires

and analog microphone signal.

HL5280 also supports high voltage on SBU port and USB port on USB Type-C receptacle side.

HL5280 is available in a 25-pin WLCSP package.