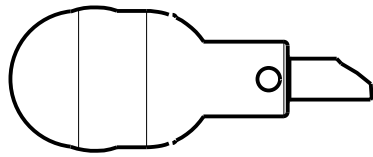
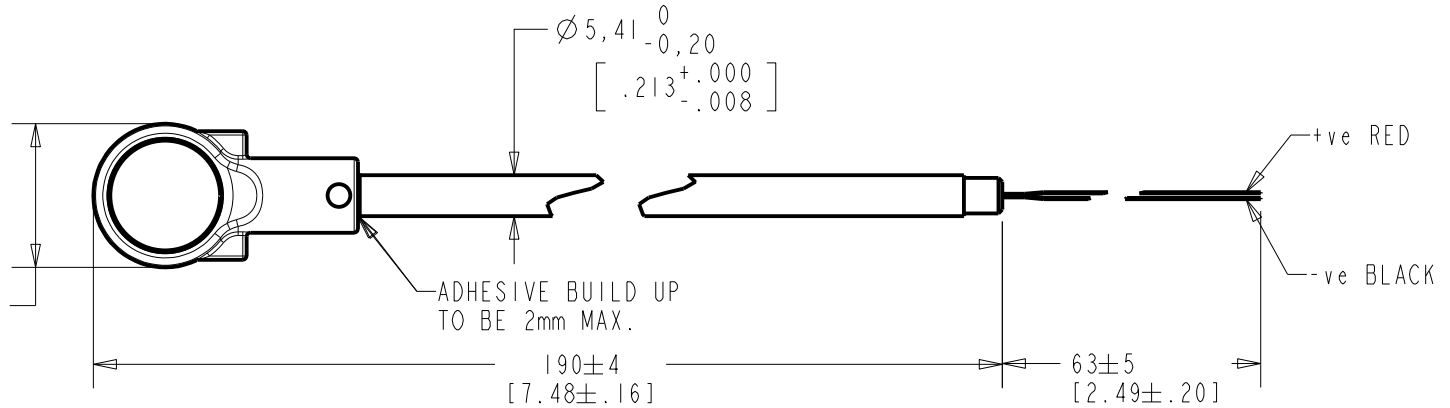


FB-EM-30343-000
SHT 1.1



TOP VIEW
W/WINDSHIELD SHOWN
SCALE 1:1

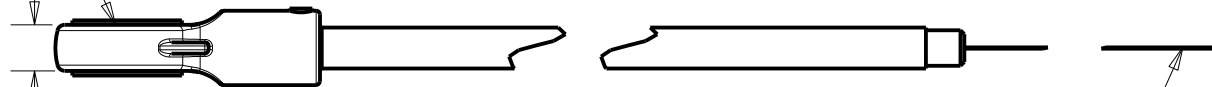
$\varnothing 19,0 \pm 0,3$
[.748 ± .012]



PLASTIC HOUSING, BLACK



$6,10 \pm 0,12$
[.240 ± .005]



| WIRE COLOR | | | WEIGHT GRAMS |
|------------|--------|-------|-----------------|
| +ve | OUTPUT | -ve | |
| RED | --- | BLACK | --- |

DIMENSIONS IN MILLIMETERS [INCHES]

| Revision | C.O. # | Implementation Date | RELEASE LEVEL | REVISION |
|----------|-----------|---------------------|---------------|----------|
| C | C40101206 | 3-7-13 | Active | C |
| B | C10107748 | 8-12-08 | | |
| A | C10107379 | 6-26-08 | | |

SCALE: 1:1

DO NOT SCALE DRAWING

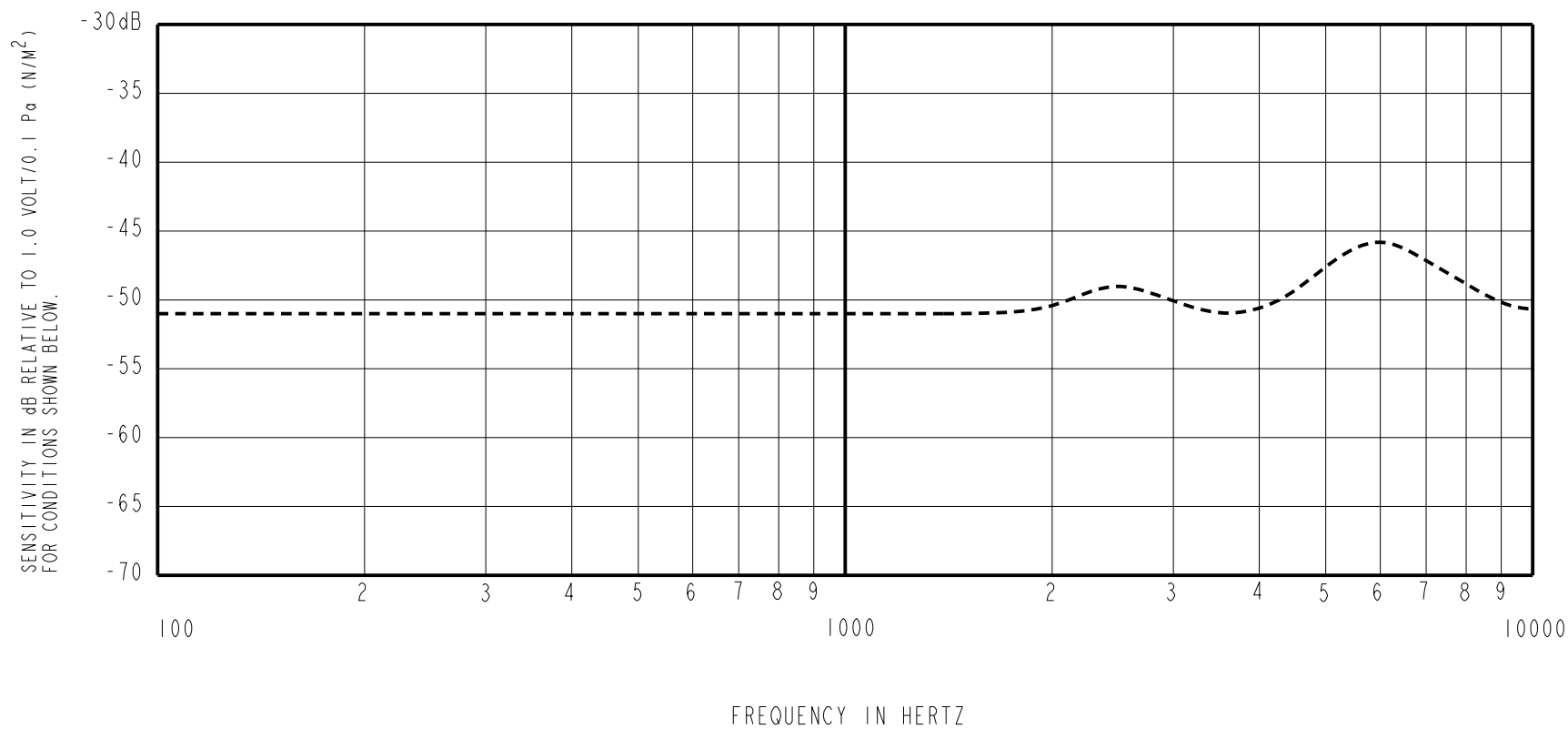
TITLE: BOOM MICROPHONE FB-EM-30343-000

OUTLINE DRAWING

SHT 1.1

| DR. BY | DATE |
|---------|---------|
| TT | 6-26-08 |
| CK. BY | DATE |
| GJP | 7-15-08 |
| APP. BY | DATE |
| GJP | 7-15-08 |

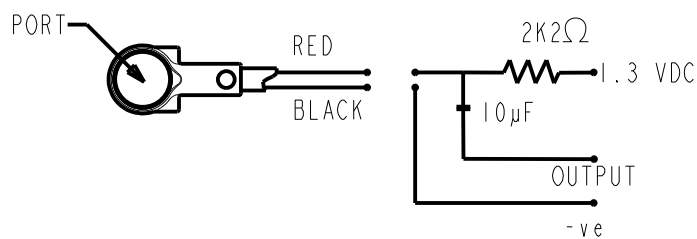
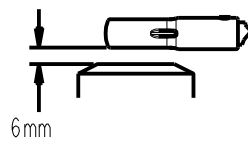
KNOWLES ELECTRONICS
ITASCA, ILLINOIS U.S.A.



| FREQUENCY | SENSITIVITY | | | DEVICE CONFORMITY | |
|-----------|-------------|-------|------|------------------------------|------|
| | MIN. | NOM. | MAX. | RANGE OF DEVIATION FROM 1KHz | |
| 300 | --- | -51.0 | --- | -4.0 | +4.0 |
| 1000 | -55.0 | -51.0 | -47 | 0.0 | 0.0 |
| 2000 | --- | -50.5 | --- | -4.0 | --- |
| 6000 | --- | -46.5 | --- | 0.0 | +9 |

NOTES:

- MICROPHONE TO BE FUNCTIONAL WITH 10 VDC SUPPLY.
- SENSITIVITY VALUES INDICATED ON THIS SPECIFICATION ARE VALID AT 50% HUMIDITY.
- TEST CONDITIONS:
HEAD OF BOOM EXPOSED TO 74 dB SPL SWEPT SOUND FIELD AT 6mm FROM VOICE APERTURE.
ARTIFICIAL VOICE:
B & k 4227 MOUTH SIMULATOR.
- FOR MICROPHONE CAPSULE SPEC. SEE DRAWING WP-25993-D63
- SURVIVES 3m SUBMERSION BASED ON QUALIFICATION TESTING. 100% TEST 30 MINUTES 1m SUBMERSION; SENSITIVITY WITHIN 3dB OF INITIAL SENSITIVITY AFTER DRIED FOR 30 MINUTES AT ROOM TEMPERATURE.



LEAD IDENTIFICATION & TEST CIRCUIT

| Revision | C.O. # | Implementation Date | RELEASE LEVEL | REVISION |
|----------|-----------|---------------------|---------------|----------|
| C | C40101206 | 3-7-13 | Active | C |
| B | C10107748 | 8-12-08 | | |
| A | C10107379 | 6-26-08 | | |

KNOWLES ELECTRONICS
ITASCA, ILLINOIS U.S.A.

WHEN TEST LIMITS ARE USED TO ESTABLISH INCOMING INSPECTION ACCEPTANCE/REJECTION CRITERIA, CORRELATION OF TEST EQUIPMENT WITH KNOWLES IS ALSO REQUIRED FOR ELIMINATION OF EQUIPMENT AND TEST METHOD VARIATION

TITLE: **BOOM MICROPHONE FB-EM-30343-000**
PERFORMANCE SPECIFICATION **SHT 2.1**

| DR. BY | DATE |
|---------|---------|
| TT | 6-26-08 |
| CK. BY | DATE |
| GJP | 7-15-08 |
| APP. BY | DATE |
| GJP | 7-15-08 |