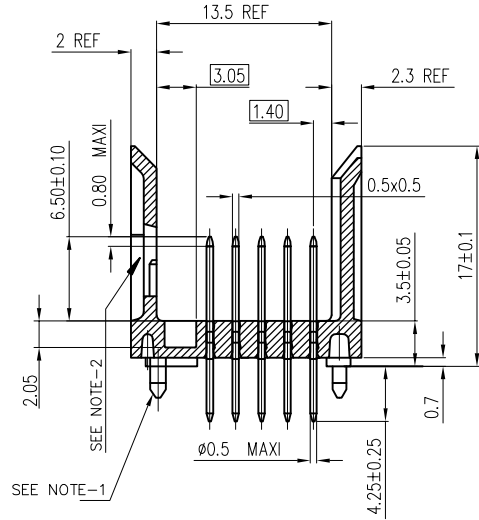


A

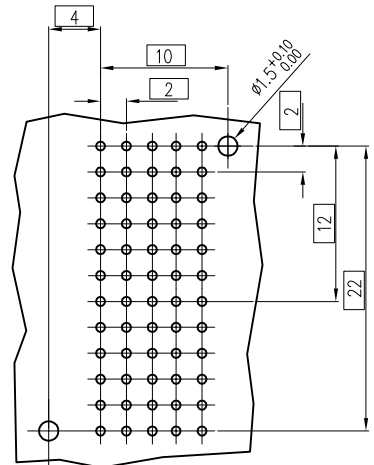
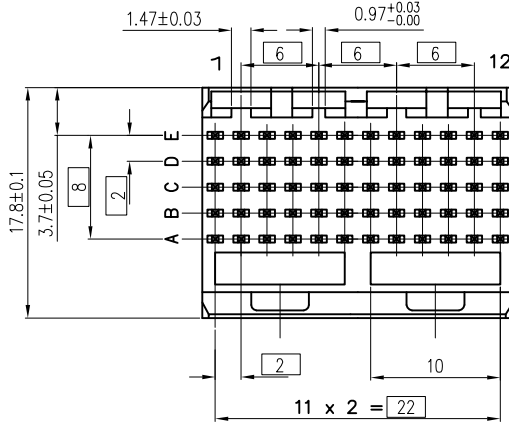
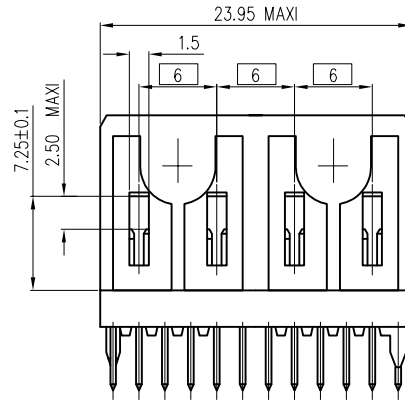
B

A

B



**LAYOUT FOR P.C.B**  
**CONNECTOR SIDE VIEW**



**GENERAL CHARACTERISTICS AND ROHS INFORMATIONS:**  
**SEE PRODUCT SPECIFICATION GS-12-446**

- NOTE-1:** 2 PEGS AT EACH END ONLY
- NOTE-2:** CAVITY FOR CODING KEY MOUNTING AND CABLE CONNECTOR LATCH.
- NOTE-3:** IF SUFFIX "P" IS ADDED IN P/N PACKAGING IS IN TRAYS BUT CONNECTOR MARKING IS WITHOUT "P"  
EXAMPLE: HM1W52DTR400H6P, MARKED HM1W52DTR400H6
- NOTE-4:** P.C.B HOLES DEFINITION - SEE GS-12-446

- SPECIFIC DATAS:**  
Visual inspection : 100%
- Marking failures
  - Housing material failures
  - Spoilt housing
  - Stained housing
  - Broken contacts ( twisted or loosen )

TIN LEAD PART NUMBER

PART NUMBER **HM1W52DTR400H6P**

LEAD FREE PART NUMBER

PART NUMBER **HM1W52DTR400H6PLF**

0.76 um Au & LEAD FREE PART NUMBER

**△** PART NUMBER **HM1W52DTR400HEPLF**

European Views

www.fciconnect.com		surface ISO 1302 ✓	tolerance std ISO 406 ISO 1101	projection mm
TOLERANCES UNLESS OTHERWISE SPECIFIED				
Dr	MICHAEL SONG	2014/12/03	ANGULAR	size A3
Eng	MICHAEL SONG	2014/12/03	LINEAR	Scale 2.5
Chr	ZHEN LUO	2014/12/03	0.xx ± 2	ECN ELX-DG-19619
Appr	COLLINS LU	2014/12/03	0.xxx ± 0.1	Spec ref -
Product family				METRAL
title <b>METRAL STRAIGHT HEADER</b>				Rev. E
SP 400				dwg no <b>C-8626-1115</b>
catalog no -				CUSTOMER sheet 1 of 1

rev	ecn no	dr	date
A	-	-	2001/01/26
B	LS05-001	MLE	2005/03/15
C	LS06-0097	LGO	2006/07/21
D	LS07-0012	MLE	2007/03/27
E	ELX-DG-19619	MIC	2014/12/03
-	-	-	-
-	-	-	-



Copyright FCI.