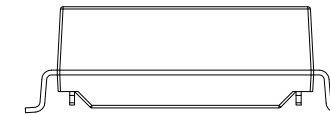
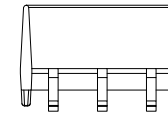
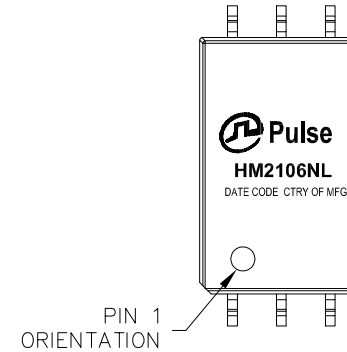




NOTES:

1. ROHS COMPLIANT
2. STORAGE TEMPERATURE: -50°C TO +125°C
3. COMPLIANCE TO J-STD:
  - A. J-STD-002: SOLDERABILITY AT 245°C REFLOW PROFILE
  - B. J-STD-020: LEVEL 1, NO MOISTURE SENSITIVE
  - C. J-STD-075: R7, 245°C MAXIMUM THROUGH REFLOW SOLDER
4. TO ORDER TAPE & REEL PACKAGING ADD A "T" SUFFIX TO THE PART NUMBER(i.e HXXXXXXXXNL BECOMES HXXXXXXXXNLT).
5. PACKING SPECIFICATION:  
 REEL SIZE: 330mm  
 TAPE WIDTH: 32mm  
 TAPE PITCH: 16mm  
  
 COMPONENTS PER REEL: 600 pcs



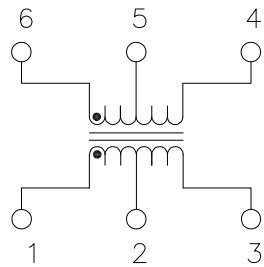
FINAL OUTLINE

© Copyright, 2017. Pulse Electronics Corp. All rights reserved. Pulse confidential & proprietary. (08/29/17)

| PRODUCT DESCRIPTION             | TLA DRAWING | PS DRAWING      | SHEET  | PART NO. | DATASHEET REV. |
|---------------------------------|-------------|-----------------|--------|----------|----------------|
| TRANSFORMER,4.3KVDC ISO,SGL,SMT | HM2106NL-P4 | PS-00249.003-01 | 1 OF 5 | HM2106NL | G              |



ELECTRICAL CHARACTERISTICS AT +25°C UNLESS OTHER SPECIFIED  
(FOR REFERENCE ONLY. USED FOR CUSTOMER INFORMATION.)

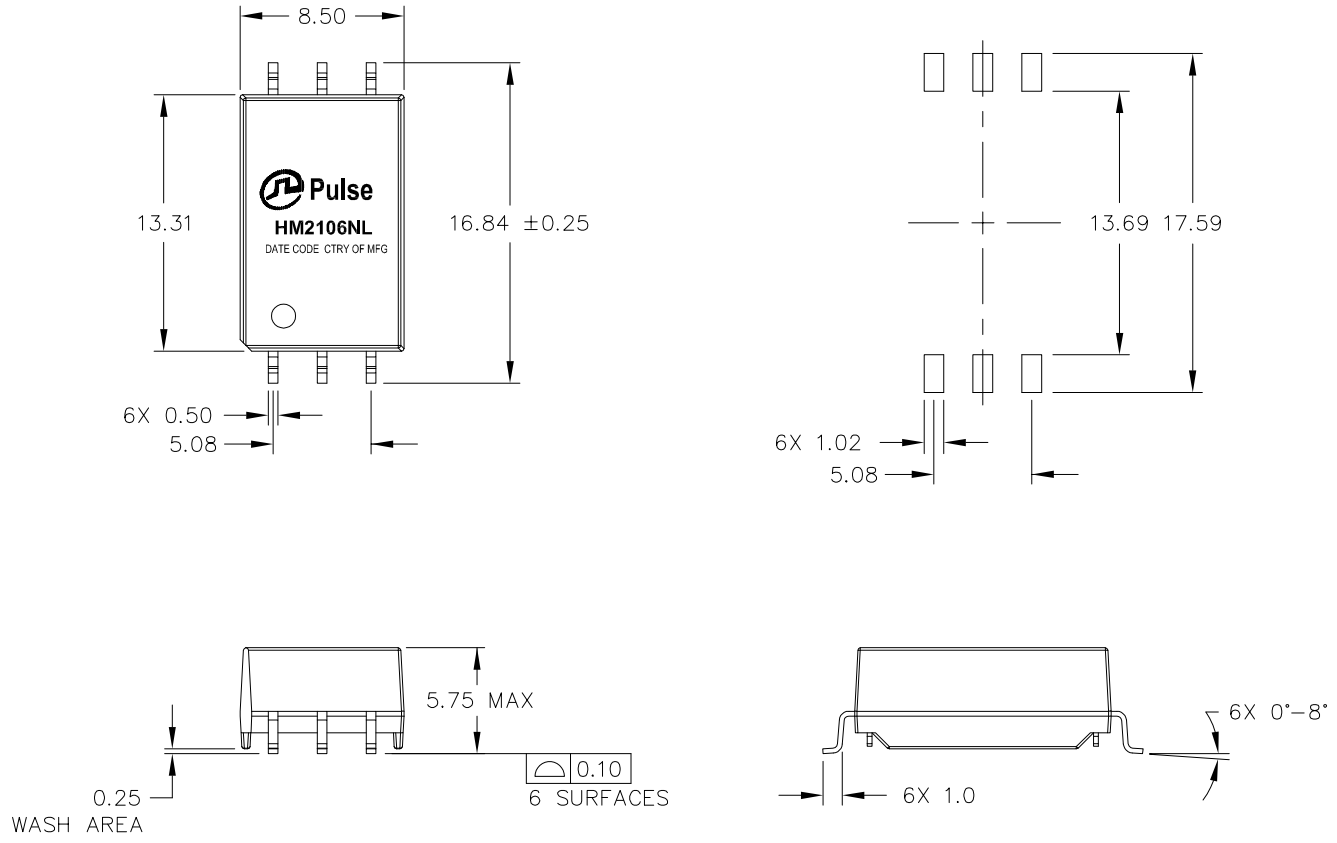


SCHEMATIC

| PARAMETER                                | SPECIFICATIONS   |
|--|--|
| QUALIFICATION                            | PER AEC-Q200   |
| DESIGN CONSTRUCTION                      | BASIC INSULATION PER ISO6469/IEC60664  |
| CREEPAGE DISTANCE                        | > 11mm   |
| OPERATING TEMPERATURE                    | -40°C TO +125°C  |
| TURNS RATIO                              | 1.00 ± 2%  |
| POLARITY                                 | PER SCHEMATIC  |
| DC RESISTANCE                            | 0.45 OHMS MAX  |
| ▽ INDUCTANCE (OCL)<br>AT 100 kHz, 100 mV | 135 uH MIN, 370 uH MAX (-40°C ≤ T ≤ -30°C)<br>150 uH MIN, 370 uH MAX (-30°C < T ≤ 125°C) |
| LEAKAGE INDUCTANCE                       | 0.50 uH MAX @ 100 kHz  |
| ▽ INSERTION LOSS                         | 0.25 dB MAX @ 4 MHz  |
| RETURN LOSS<br>(Z OUT = 100 OHM ±1%)     | 20 dB MIN @ 4 MHz  |
| ▽ INPUT - OUTPUT<br>ISOLATION            | 4300 VDC FOR 60 SECONDS<br>WITH 1.0 mA MAX OF LEAKAGE CURRENT                            |
| INSULATION RESISTANCE                    | 400 MEGAOHMS MINIMUM   |
| WORKING VOLTAGE                          | 1000 VDC FOR 15 YEARS  |

NOTE: "▽" IS SPECIAL CHARACTERISTIC.

| PRODUCT DESCRIPTION                | TLA DRAWING | PS DRAWING      | SHEET  | PART NO. | DATASHEET REV. |
|------------------------------------|-------------|-----------------|--------|----------|----------------|
| TRANSFORMER, 4.3KVDC ISO, SGL, SMT | HM2106NL-P4 | PS-00249.003-01 | 2 OF 5 | HM2106NL | G              |

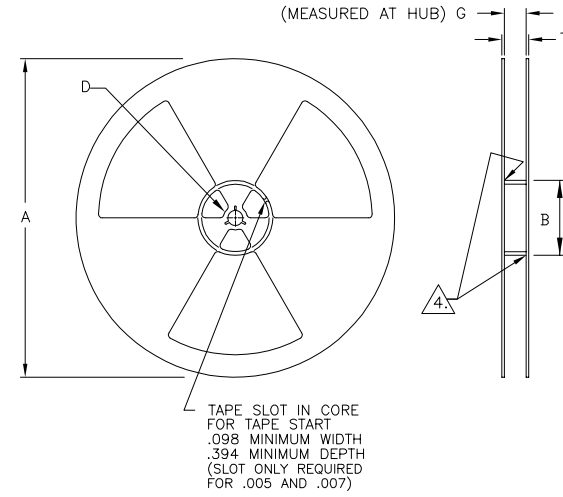
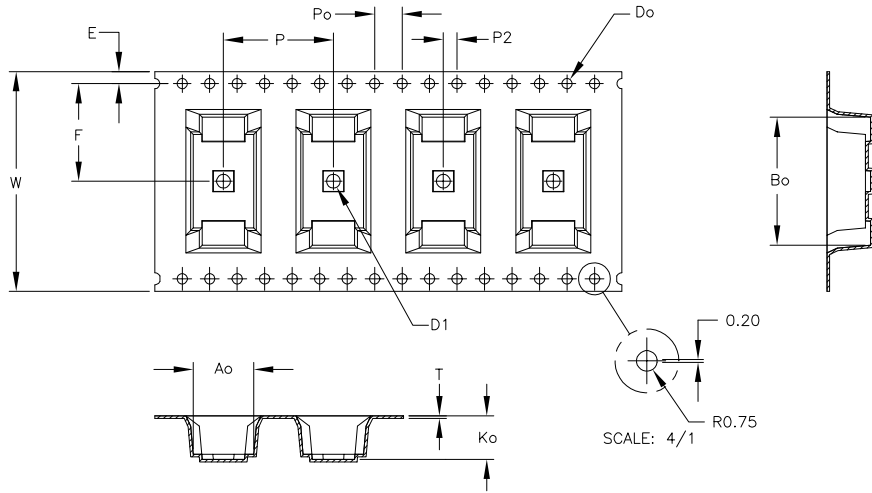


DIMENSIONS ARE IN MILLIMETERS WITH THE FOLLOWING TOLERANCES:  
 X.X= ±0.25  
 X.XX= ±0.13

© Copyright, 2017. Pulse Electronics Corp. All rights reserved. Pulse confidential & proprietary. (08/29/17)

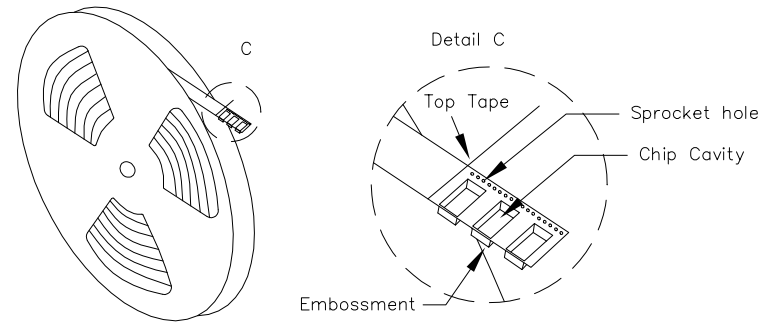
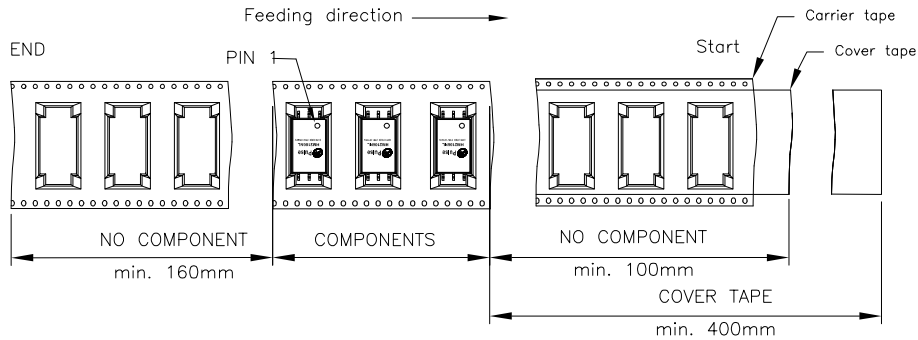
| PRODUCT DESCRIPTION             | TLA DRAWING | PS DRAWING      | SHEET  | PART NO. | DATASHEET REV. |
|---------------------------------|-------------|-----------------|--------|----------|----------------|
| TRANSFORMER,4.3KVDC ISO,SGL,SMT | HM2106NL-P4 | PS-00249.003-01 | 3 OF 5 | HM2106NL | G              |

USER DIRECTION OF FEED  
→



| ITEM | W              | Ao           | Bo            | Ko            | K1 | P              | F             | E             | Do                     | D1                    | Po            | P2            | T             |
|------|----------------|--------------|---------------|---------------|----|----------------|---------------|---------------|------------------------|-----------------------|---------------|---------------|---------------|
| DIM  | 32.00<br>±0.30 | 8.8<br>±0.10 | 18.6<br>±0.10 | 6.35<br>±0.10 |    | 16.00<br>±0.10 | 14.2<br>±0.10 | 1.75<br>±0.10 | 1.50<br>+0.10<br>-0.00 | 2.0<br>+0.10<br>-0.00 | 4.00<br>±0.10 | 2.00<br>±0.10 | 0.40<br>±0.05 |

|               | A      | B      | D     | T    | G    | G    |
|---------------|--------|--------|-------|------|------|------|
| Tolerance     |        | min.   | min.  | max. | min. | max. |
| Tape width mm | 330.00 | 100.00 | 20.20 | 38.4 | 32.4 | 34.4 |



© Copyright, 2017. Pulse Electronics Corp. All rights reserved. Pulse confidential & proprietary. (08/29/17)

| PRODUCT DESCRIPTION             | TLA DRAWING | PS DRAWING      | SHEET  | PART NO. | DATASHEET REV. |
|---------------------------------|-------------|-----------------|--------|----------|----------------|
| TRANSFORMER,4.3KVDC ISO,SGL,SMT | HM2106NL-P4 | PS-00249.003-01 | 4 OF 5 | HM2106NL | G              |