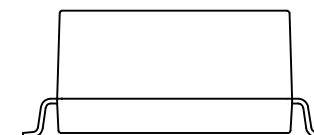
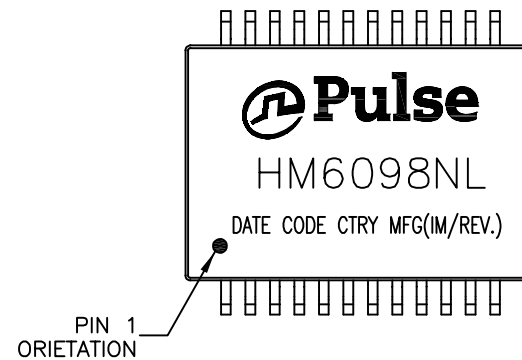




NOTES:

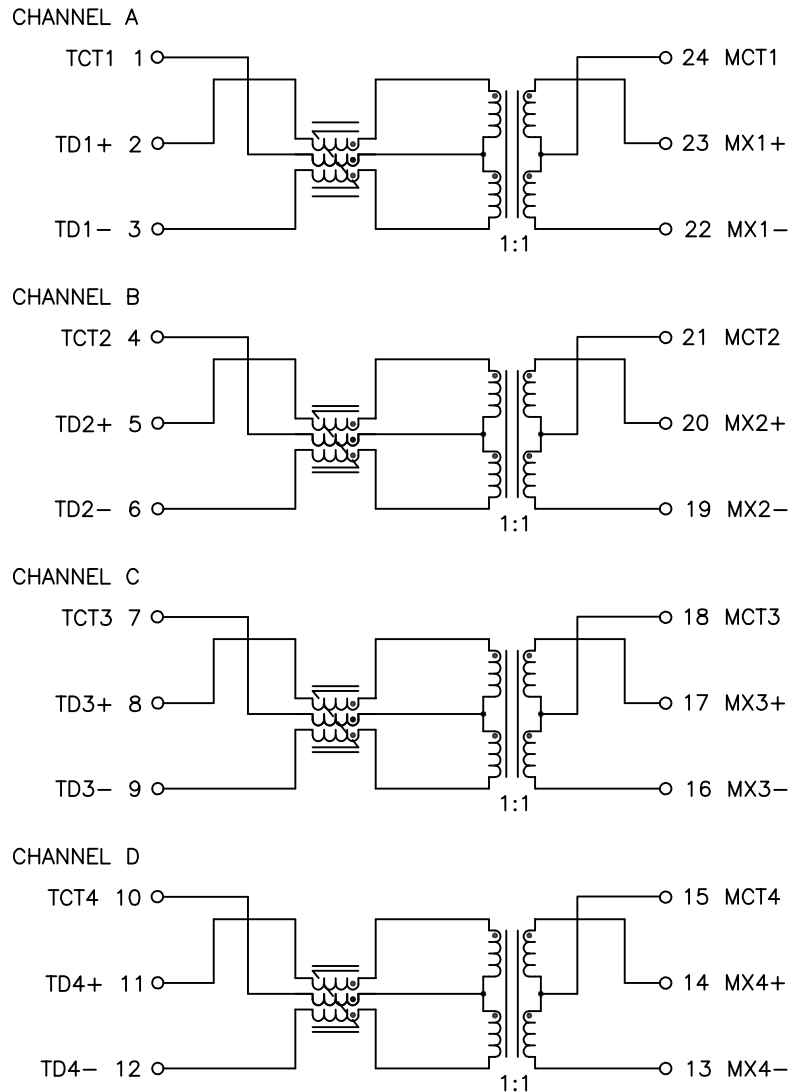
1. ROHS COMPLIANT
2. HEADER: PHENOLIC WITH FLAMMABILITY RATING UL 94V-0 OR BETTER.
3. STORAGE TEMPERATURE: -50°C TO +125°C
4. COMPLIANCE TO J-STD:
 - A. J-STD-002: SOLDERABILITY AT 245°C REFLOW PROFILE
 - B. J-STD-020: LEVEL 1, NO MOISTURE SENSITIVE
 - C. J-STD-075: R7, 245°C MAXIMUM THROUGH REFLOW SOLDER
5. TO ORDER TAPE & REEL PACKAGING ADD A "T" SUFFIX TO THE PART NUMBER(i.e HM6098NL BECOMES HM6098NLT).



FINAL OUTLINE

© Copyright, 2018. Pulse Electronics Corp. All rights reserved. Pulse confidential & proprietary. (04/27/18)

| PRODUCT DESCRIPTION | TLA DRAWING | PS DRAWING | SHEET | PART NO. | DATASHEET REV. |
|------------------------|-------------|---------------|--------|----------|----------------|
| MDL,SIN,1GPP,1:1,SM,TU | HM6098NL-X1 | PS-2473.001-A | 1 OF 3 | HM6098NL | A |



SCHMATIC

ELECTRICAL CHARACTERISTICS AT +25°C UNLESS OTHER SPECIFIED
MEETS IEEE 802.3 SPECIFICATION

| PARAMETER | SPECIFICATIONS | |
|--|---|--|
| OPERATING TEMPERATURE | -40°C TO +105°C | |
| URNS RATIO | 1.00 ± 2% | |
| INTERWINDING CAPACITANCE (C _{ww}) | 20 pF TYP. @ 1 MHz | |
| LEAKAGE INDUCTANCE (LL) | 250 nH TYP. @ 100 kHz, 100 mV | |
| URNS RATIO | 1.00 ± 2% | |
| INSERTION LOSS | 100 KHz | 1-125 MHz |
| | -1.2 dB MAX | -0.2-0.002*f ^{1.4} dB MAX |
| RETURN LOSS (Z OUT = 100 OHM ±15%) | 1-40 MHz | 40-100 MHz |
| | -16 dB MIN | -10+20*LOG ₁₀ (f/80 MHz) dB MIN |
| INDUCTANCE (OCL) (MEDIA SIDE, -40~+105°C) | 120 uH MIN (MEASURED AT 100 KHz, 100 mVRMS) (WITH 18 mA DC BIAS) | |
| | 1 MHz | 10-100 MHz |
| CROSSTALK, ADJACENT CHANNELS | -50 dB MIN | -55+22*LOG ₁₀ (f/10) dB MIN |
| | 2 MHz | 30-200 MHz |
| COMMON MODE REJECTION RATIO | -50 dB MIN | -15+20*LOG ₁₀ (f/200) dB MIN |
| | | |
| DC RESISTANCE, 1/2 WINDING | .30 OHMS TYP. | |
| DC CURRENT/VOLTAGE RATING | 1200 mA @ 57 V (CONTINUOUS) | |
| DC RESISTANCE BALANCE | ±.05 OHMS MAX (CENTER TAP SYMMETRY) | |
| INPUT - OUTPUT ISOLATION | 1500 VRMS MIN @ 60 SECONDS | |

NOTE: f IS FREQUENCY IN MHz.

© Copyright, 2018. Pulse Electronics Corp. All rights reserved. Pulse confidential & proprietary. (04/27/18)

| PRODUCT DESCRIPTION | TLA DRAWING | PS DRAWING | SHEET | PART NO. | DATASHEET REV. |
|------------------------|-------------|---------------|--------|----------|----------------|
| MDL,SIN,1GPP,1:1,SM,TU | HM6098NL-X1 | PS-2473.001-A | 2 OF 3 | HM6098NL | A |